

e-ASK

electronic **A**ccess **S**ecurity **K**eyless-entry

Keypad With On-Board Relays

(UM28 ~ 540-0200)



500 Bailey Avenue
P.O. Box 350
New Hampton, Iowa 50659 U.S.A.
Tel: 641-394-3188
Fax: 641-394-2392
www.trimarkcorp.com



Lock

Hold down the 1 / 2 button for two seconds.

Unlock

Enter the 5-digit access. The keypad unlocks automatically.

Wiring

- Red—12V power
- Black—Ground
- Green—Unlock output (12V pulse)
- Blue—Lock output (12V pulse)
- Yellow—Authority learn wire

Power wires = female 1/4" spade terminal with one meter wires.

Output wires = female 4mm bullet terminal with 200mm wires.

Keypad Codes

The access code is used to unlock doors.

The authority code is used to assign access codes.

Default Access code: 1-3-5-7-9

Default Authority code: 7-7-7-7-7

Program New Access Code

1. Hold 5 / 6 button for 5 seconds (keypad beeps).
2. Enter authority code.
3. Keypad will beep until you press the button to which you want to program a code. (If you get a 3 second beep that stops, you have entered the wrong authority code.)
4. Enter your new 5-digit access code (double beep with each button press, 3 beeps at end).
5. Re-enter new access code (double beep with each button press). Keypad beeps three times to indicate success (if one long beep sounds, training failed – start over).

Program New Authority and Access Codes (set authority code and access code to button 1 / 2)

1. Short yellow wire to GND for 5 seconds.
2. Keypad will beep for 3 seconds (remove GND).
3. Enter a 5-digit code (double beep with each button press, 3 beeps at end).
4. Re-enter the same code for confirmation (double beep with each button press). Keypad beeps three times to indicate success. If the programming fails, there will be one long beep at the end.

Note: Up to 5 different access codes can be assigned at one time. As additional access codes are defined, pre-existing codes assigned to a given button are overwritten. The codes are assigned to a particular button (1 / 2, 3 / 4, etc.).

Protective Deactivating Security Feature

After repeated entering of incorrect codes (20 button presses without enabling), the keypad is deactivated for 1 minute. This helps prevent unauthorized access by entering random codes.

No beep will sound with button press while the system is disabled.

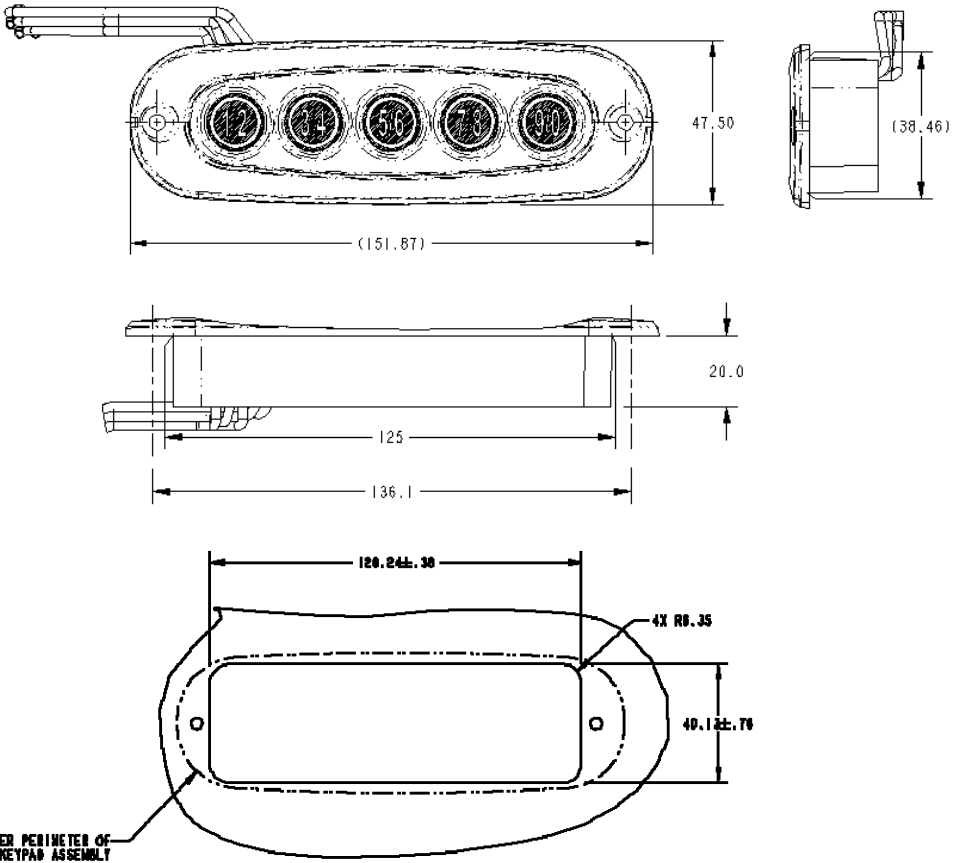
Backlighting (optional feature)

The keypad has lights that come on for one minute when any button on the keypad is pressed.

Low Voltage Warning

When the keypad is at a voltage less than 9.0V, the keypad provides a short beep 0.5 seconds after either a lock or unlock output. The lock output is also deactivated. An unlock command does work.

Mounting Information (units in metric)



**RECOMMENDED KEYPAD
CLEARANCE OUTPUT**



500 Bailey Avenue
P.O. Box 350
New Hampton, Iowa 50659 U.S.A.
Tel: 641-394-3188
Fax: 641-394-2392
www.trimarkcorp.com

UM28
29666-XX
02/11-3