

510-0100 e-ASK I/O Module

(Electronic Access and Security Keyless-entry)

DESIGNED FOR:

- Replacement components of TriMark's e-ASK systems

AVAILABLE:

- 2 different functions; standard and cargo modes. Modes provide customized remote fob transmitter use. Standard mode allows for the lock/unlocking of doors plus panic mode and one auxiliary output (controls lighting, opens compartment etc.). Cargo mode allows for the lock/unlocking of main personnel doors plus independent control of many cargo/compartment doors.

USE WITH:

- TriMark 500-1000 e-ASK System
- TriMark 500-1200 e-PAD System

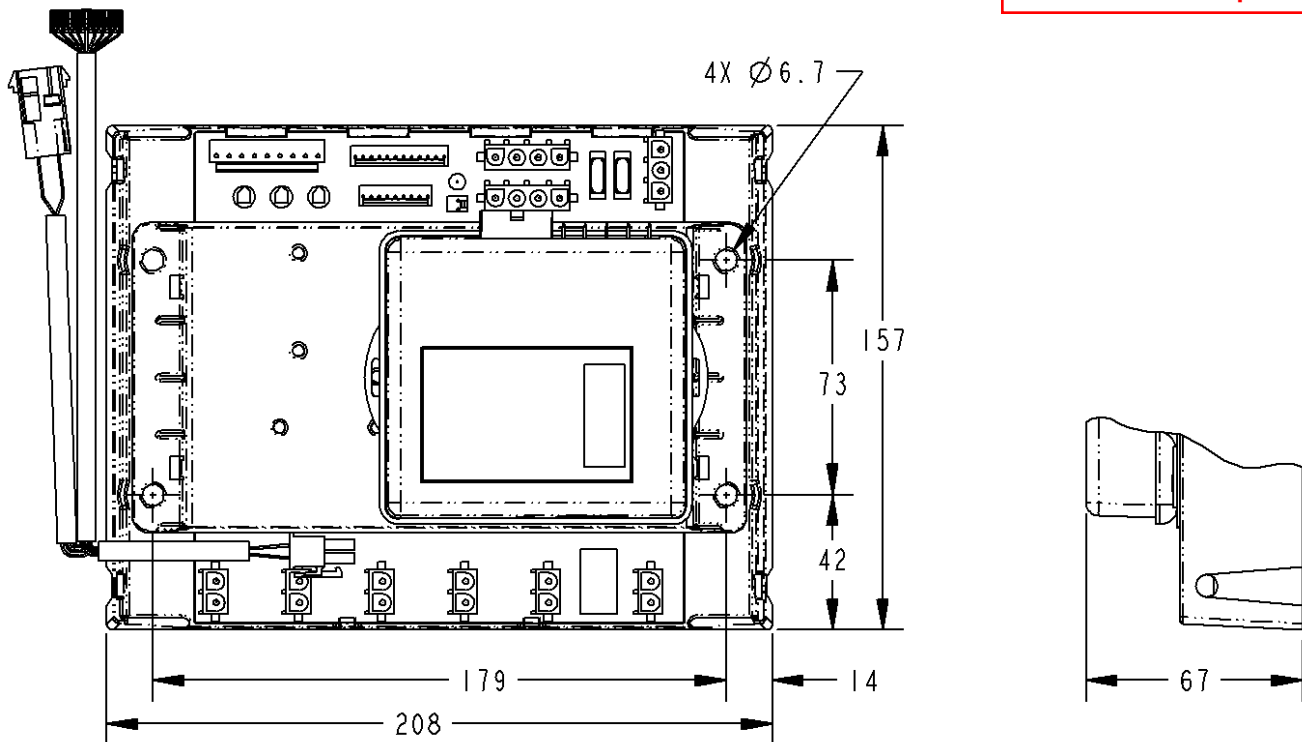
INSTALLATION:

- I/O module is easily installed with (4) 1/4" or M6 screws (not included) and can be mounted in a concealed location
- Standard 12 VDC power

U.S. Patent No. 6,789,003
Other Patents Pending

Please refer to individual part drawings for complete dimensions, specifications, and installation procedures. Engineering assistance and application drawings are available.

For more information visit
www.trimarkcorp.com



500 Bailey Avenue
P.O. Box 350
New Hampton, Iowa 50659
United States
Tel: 641-394-3188
Fax: 641-394-2392
1-800-447-0343
www.trimarkcorp.com



TriMark Europe

Cedar Court
Walker Road
Bardon Hill
Coalville LE67 1TU
United Kingdom
Tel: +44 (0)1530 512460
Fax: +44 (0)1530 512461
www.trimarkeu.com

