

530-0100 e-FOB Transmitter

530-0200 e-FOB Receiver

DESIGNED FOR:

- Replacement components of TriMark's e-ASK systems

USE WITH:

Electronic Products and Accessories

- TriMark 500-1000 e-ASK System
- TriMark 500-1100 e-FOB System

INSTALLATION:

- e-FOB receiver is easily installed with (2) #6 or M3 screws (not included) and can be mounted in a concealed location
- Standard 12 VDC power

Please refer to individual part drawings for complete dimensions, specifications, and installation procedures. Engineering assistance and application drawings are available.

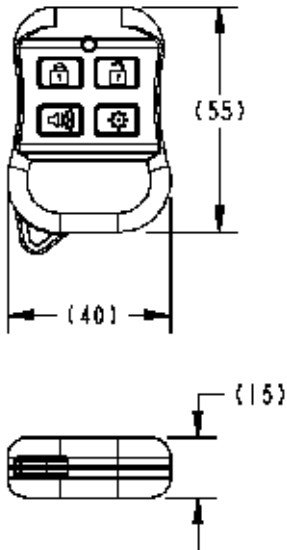
5300100-A e-FOB TRANSMITTER
A - Button
1 = 4 Button Standard
2 = 4 Button Cargo
3 = 4 Button In/Out

AVAILABLE:

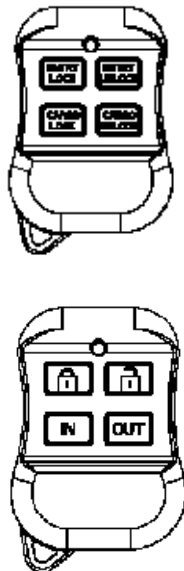
- 3 different programming functions; standard mode, cargo mode and sustained mode. Modes provide customized remote fob transmitter use. Standard mode allows for the lock/unlocking of doors plus panic mode and one auxiliary output (controls lighting, opens compartment etc.). Cargo mode allows for the lock/unlocking of main personnel doors plus independent control of many cargo/compartment doors. Sustained mode allows for the lock/unlocking of doors plus continuous output control with lower buttons pressing.
- 4-button standard fob
- Customized graphics possible (buttons and logos - please inquire)
- Customized wire harnesses

5300200-A e-FOB RECEIVER
A - Function
1 = Standard Mode
2 = Cargo Mode
3 = Sustained Mode

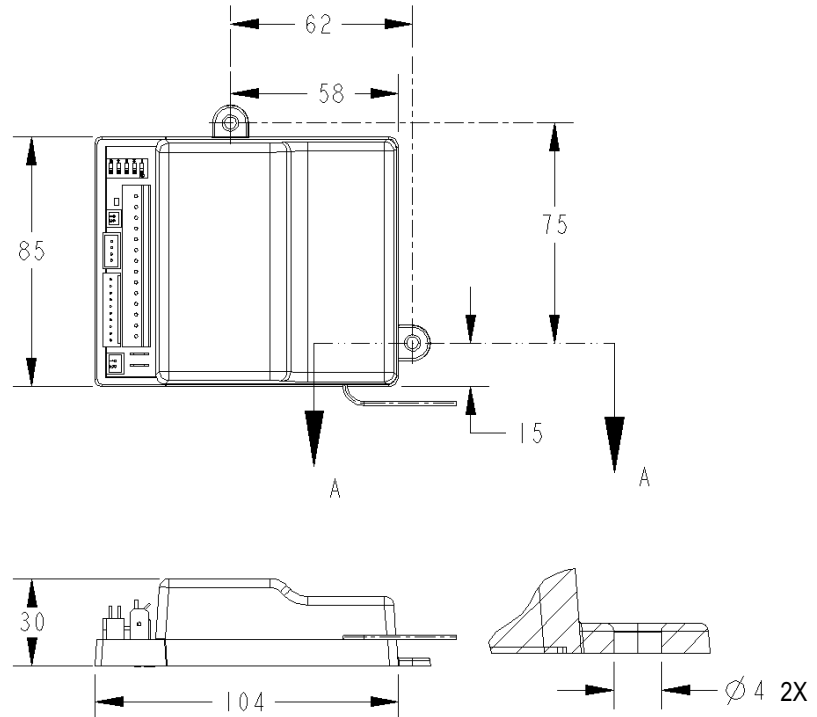
STANDARD e-FOB



CARGO e-FOB



SUSTAINED e-FOB



SECTION A-A
SCALE 2



500 Bailey Avenue
P.O. Box 350
New Hampton, Iowa 50659
Tel: 641-394-3188
Fax: 641-394-2392
1-800-447-0343
www.trimarkcorp.com

TriMark Europe
Cedar Court
Walker Road
Bardon Hill
Coalville LE67 1TU
United Kingdom
Tel: +44 (0)1530 512460
Fax: +44 (0)1530 512461
www.trimarkeu.com