

530-0200
e-FOB Receiver



DESIGNED FOR:

- Replacement components of TriMark's e-ASK systems



www.trimarkcorp.com

TriMark Corporation

500 Bailey Avenue
P.O. Box 350
New Hampton, Iowa 50659
United States
Tel: 641-394-3188
Fax: 641-394-2392
1-800-447-0343
www.trimarkcorp.com

10002707 QM08
10002707 TS09



ISO 9001: 2008
ISO/TS 16949: 2009

TriMark Corporation

TriMark Europe

Cedar Court
Walker road
Bardon Hill
Coalville LE67 1TU
United Kingdom
Tel: +55 (0)1530 512460
Fax: +44(0)1530 512461
www.trimarkeu.com

427961 QM
427961 UM



ISO 9001 : 2000
ISO 14001 : 2004

TriMark Europe Ltd.

USE WITH:

Electronic Products and Accessories

- TriMark 500-1000 e-ASK System
- TriMark 500-1100 e-FOB System

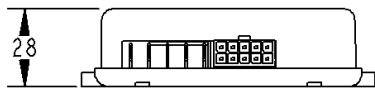
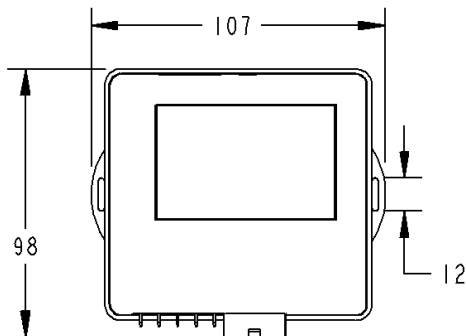
INSTALLATION:

- e-FOB receiver is easily installed with (2) #6 or M3 screws (not included) and can be mounted in a concealed location
- Standard 12 VDC power

AVAILABLE:

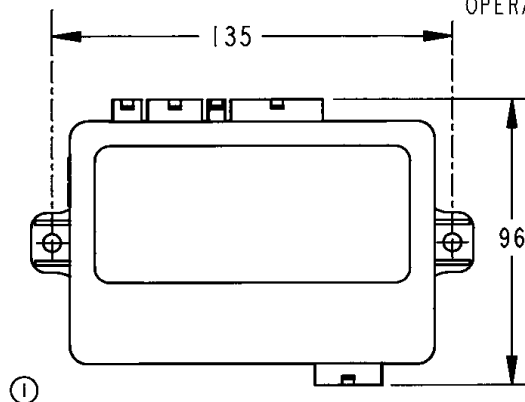
- 3 different programming functions; standard mode, cargo mode and sustained mode. Modes provide customized remote fob transmitter use.
 - ◇ Standard mode allows for the lock/unlocking of doors plus panic mode and one auxiliary output (controls lighting, opens compartment etc.)
 - ◇ Cargo mode allows for the lock/unlocking of main personnel doors plus independent control of many cargo/compartment doors
 - ◇ Sustained mode allows for the lock/unlocking of doors plus continuous output control with lower buttons pressing
- Customized graphics possible (buttons and logos - please inquire)
- Customized wire harnesses

Individual part dimensions are for reference only. Refer to individual part drawings for complete dimensions, specifications, and installation procedures. Engineering assistance and application drawings are available.

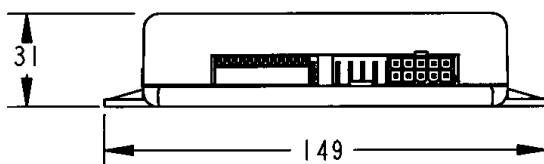


NOTES:

1. RECOMMEND TO MOUNT WITH CABLE CLAMPS (LOOP STRAP).
2. CONTROLLER NEEDS 11V-14V FOR PROPER OPERATION.



For more information visit
www.trimarkcorp.com



NOTES:

1. RECOMMEND TO MOUNT WITH A #10 OR M5 FASTENER.
2. CONTROLLER NEEDS 11V-14V FOR CORRECT OPERATION.