

540-0100 e-PAD Keypad

TriMark's e-ASK systems consist of a selection of compatible components that allow for complete keyless entry for on or off-highway vehicle applications

FEATURES/BENEFITS:

- Increased end user convenience
- Easy and intuitive to operate
- Rugged and durable construction
- Compliant to on-road, off-road, and industrial environmental requirements
- Can control numerous entry/compartments doors
- Independent control of multiple door zones
- Tactile, visual, and audio feedback
- Over 3000 code combinations with tamper lock-out feature
- Lighted keypad for more effective night time usage
- Vertical and horizontal orientations
- 5 user codes can be assigned
- Multiple layer code control

AVAILABLE:

- With e-FOB remote transmitter integration
- Vertical and horizontal keypad
- Complete kit with wire harnesses and other accessories
- Customized wire harnesses
- Multiplexed or discrete communications protocol

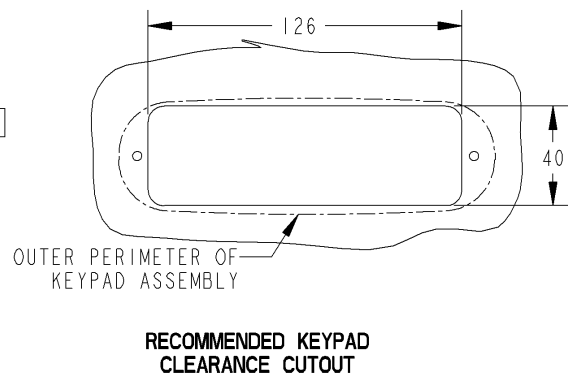
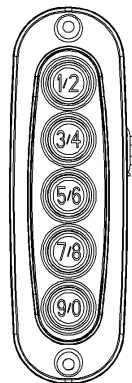
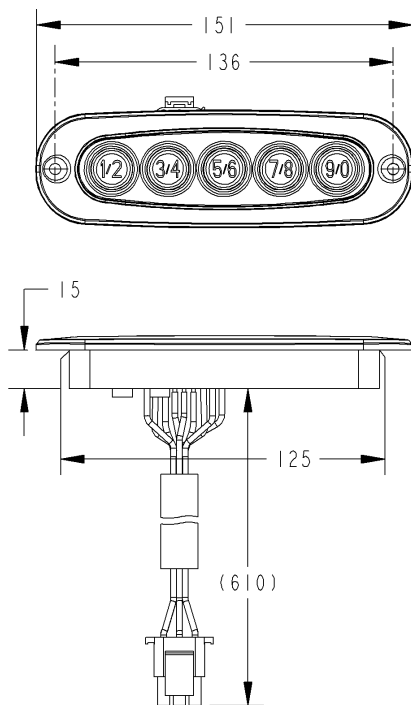
INSTALLATION:

- Keypad is easy to install with (2) #8 or M4 flat head screws (not included)
- Can be installed in a wide range of locations in door - either horizontal or vertical orientation
- Standard 12 VDC power

Design Patent No. D486,376

U.S. Patent No. 7,034,655

Individual part dimensions are for reference only. Refer to individual part drawings for complete dimensions, specifications, and installation procedures. Engineering assistance and application drawings are available.



TriMark Corporation
500 Bailey Avenue
P.O. Box 350
New Hampton, Iowa 50659
United States
Tel: 641-394-3188
Fax: 641-394-2392
1-800-447-0343
www.trimarkcorp.com

10002707 QM08
10002707 TS09
 ISO 9001: 2008
ISO/TS 16949: 2009
TriMark Corporation

TriMark Europe
Cedar Court
Walker Road
Bardon Hill
Coalville LE67 1TU
United Kingdom
Tel: +55 (0)1530 512460
Fax: +44(0)1530 512461
www.trimarkeu.com

427961 QM08
427961 UM
 ISO 9001 : 2008
ISO 14001 : 2004
TriMark Europe Ltd.