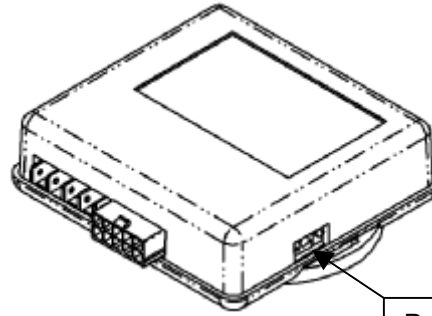
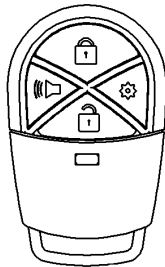




500 Bailey Avenue
P.O. Box 350
New Hampton, IA 50659 U.S.A.
Tel: 641-394-3188
Fax: 641-394-2392
www.trimarkcorp.com

Teaching Additional FOB Transmitters



Programming
Button / LED

1. Turn ignition off (or confirm no connection to pin 7 of 10 pin connector-yellow wire).
2. Press and release the programming button 3 times. The LED will turn on after 3 seconds.
3. Press and release any button of each new FOB transmitter once. The LED will flash and the horn and siren will sound once. Up to 4 transmitters may be programmed at one time.
4. Confirm that FOB transmitters lock/unlock system.

Notes:

- If you place the system in learn mode and teach nothing, the system will exit in 10 seconds.
- All previous transmitters are erased if new transmitters are taught in all 4 allocated memory locations.

This device complies with Part 15 of FCC rules. Operation is subject to the following conditions: (1) This device may not cause harmful interference, and (2) This device must accept any interference received, including interference that may cause undesired operation. Changes or modifications not expressly approved by the party responsible for compliance could void the user's authority to operate this device.