

060-0201
Trailer Latch
060-0251 With Deadbolt



DESIGNED FOR:

- Travel trailer entrance doors
- RV baggage doors or utility trailer
- All doors with thickness of 1-1/4" to 1-1/2" (other door thicknesses available -- please inquire)
- Universal applications--either right or left handed



TriMark Corporation

500 Bailey Avenue
P.O. Box 350
New Hampton, Iowa 50659
United States
Tel: 641-394-3188
Fax: 641-394-2392
1-800-447-0343
www.trimarkcorp.com



TriMark Europe

Cedar Court
Walker Road
Bardon Hill
Coalville LE67 1TU
United Kingdom
Tel: +44(0)1530 512460
Fax: +44(0)1530 512461
www.trimarkeu.com





060-0201 Trailer Latch 060-0251 With Dead Bolt

FEATURE/BENEFITS:

- Paddle can be locked before door is shut
- Paddle is rigid when locked
- Automotive styling
- Comfortable finger access
- Inside assist for easy door closing
- Water resistant

AVAILABLE:

- With optional built-in dead bolt (060-0251 Series)
- Reversible key for ease of operation
- With or without inside release (060-0201 Series)
- Reverse plunger for inward swinging doors (optional)
- KeyOne™ Plus



For more information visit
www.trimarkcorp.com

INSTALLATION:

- Requires (4) #8-32 thread forming fasteners (Available-please inquire)

MATERIAL:

- Major components: die cast zinc alloy
- Strike plate (standard version): die cast zinc alloy
- Strike plate (optional dead bolt version): Steel or non-corrosive stainless steel
- Non-metallic plunger

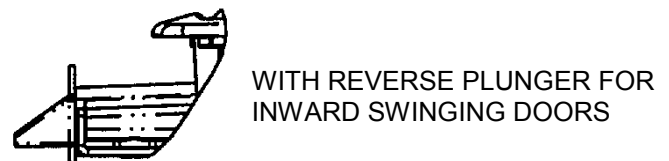
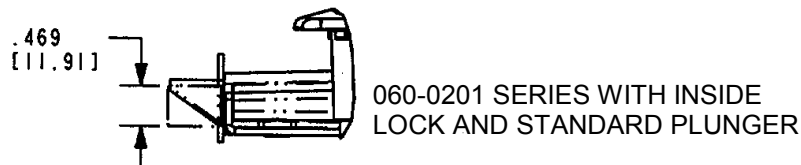
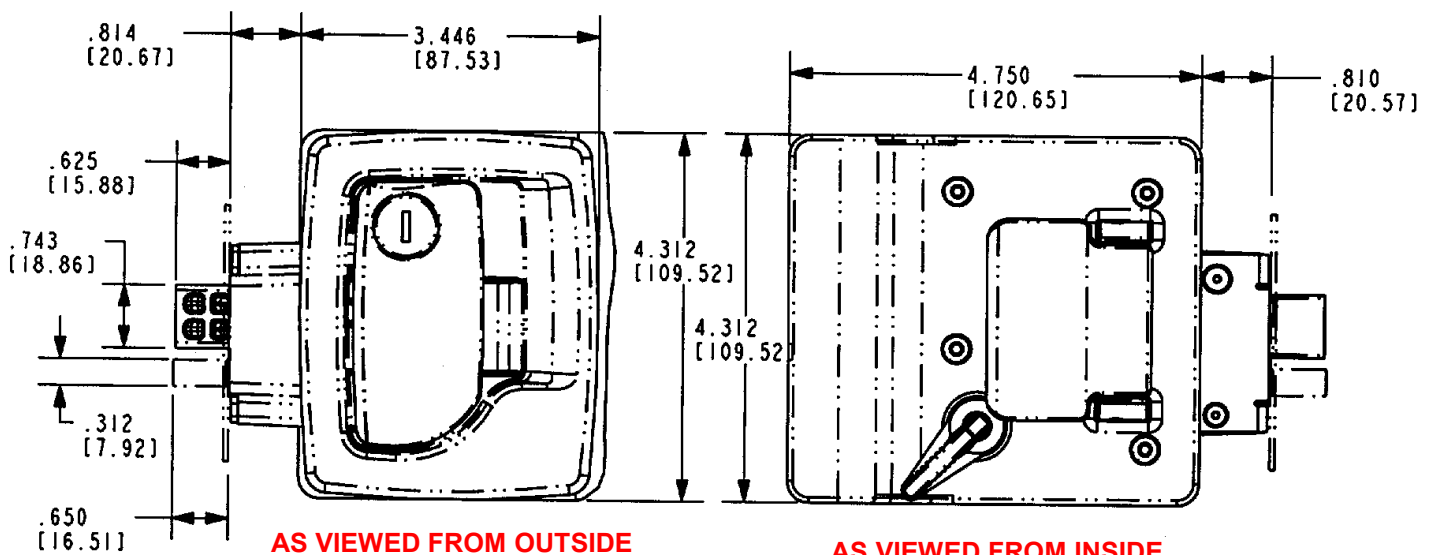
FINISH:

- Black powder coated or white
- Strike plate (standard version): black powder coating
- Strike plate (optional deadbolt version): zinc plated

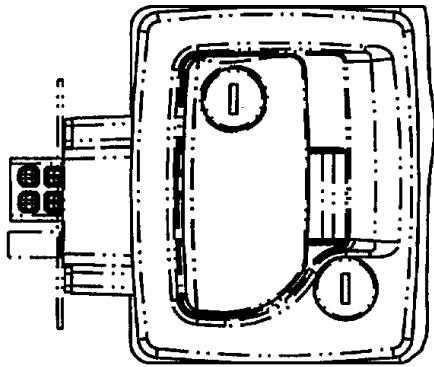
CAUTION: LATCH DOES NOT MEET FMVSS206
LOAD REQUIREMENTS.

U. S. Patent No. 6,409,234 and 5,927,773
Design Patent No. D419,421

060-0201 With Inside Lock



060-0251 With Built-In Dead Bolt Lock

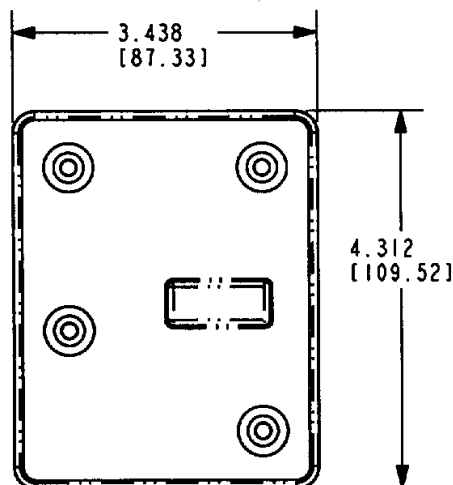
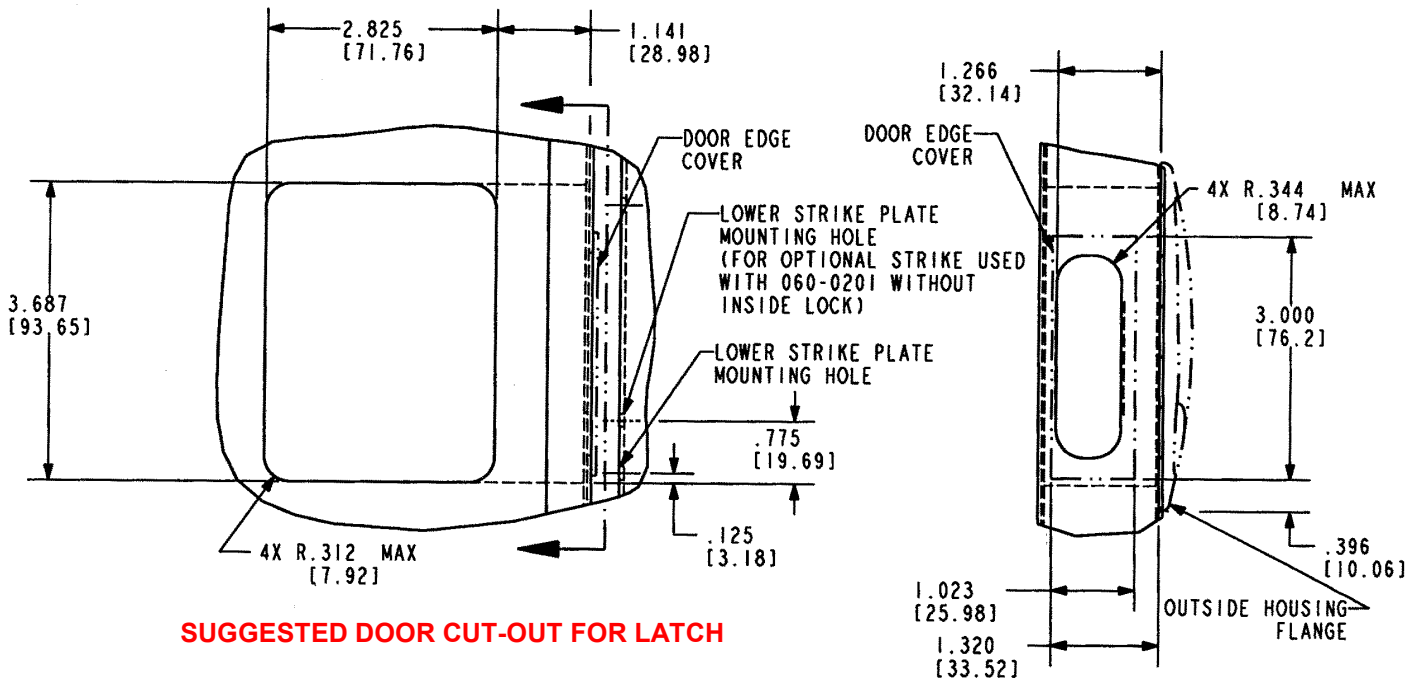


AS VIEWED FROM OUTSIDE

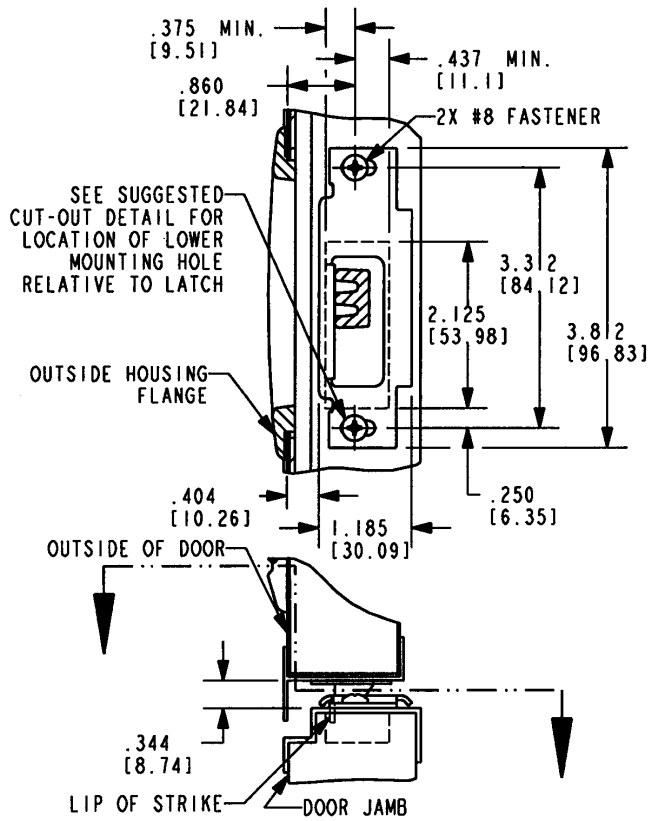
060-0251 DEAD BOLT FEATURES:

- Built-in dead bolt eliminates the need for an add-on residential type dead bolt
- Requires the same cut-out/detail as the standard latch assembly (060-0200/0250/0201)
- Same fasteners may be used for all versions
- Dead bolt locks into the fully extended position for true dead bolt functioning
- Master keying is standard for paddle key cylinder

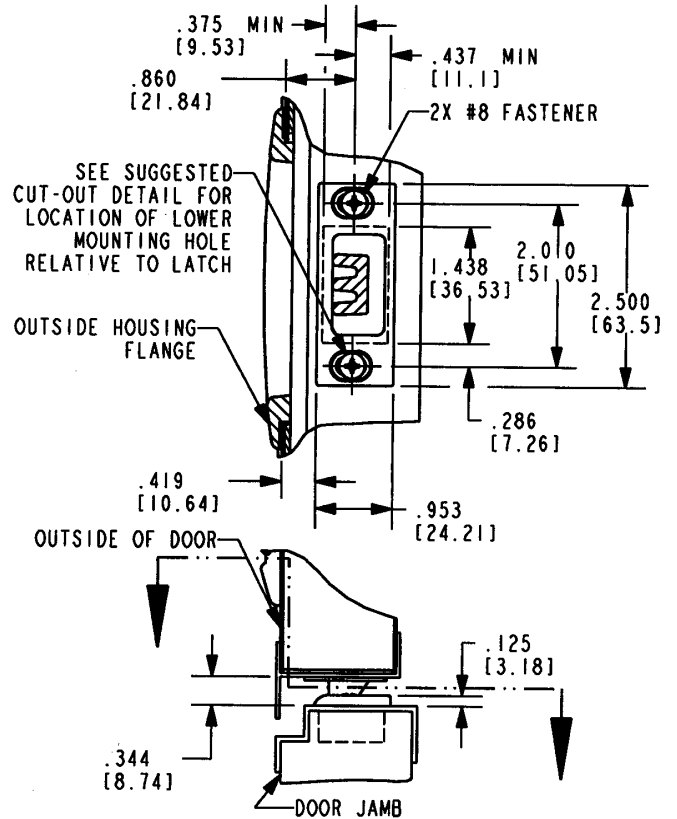
Individual part dimensions are for reference only. Refer to individual part drawings for complete dimensions, specifications, and installation procedures. Engineering assistance and application drawings are available.



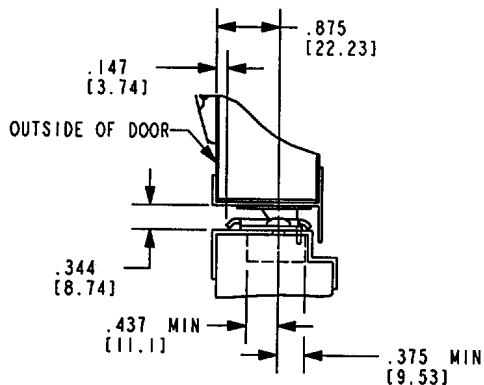
INSIDE PLATE USED WITH 060-0201 FOR NON-ENTRY DOOR APPLICATIONS



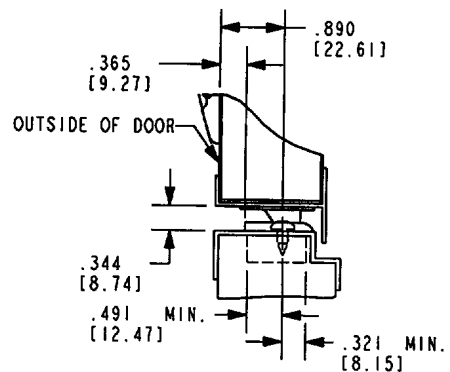
STAMPED STEEL STRIKE PLATE FOR 060-0201 WITH INSIDE LOCK OR 060-0251



DIE CAST STRIKE PLATE FOR 060-0201 WITHOUT INSIDE LOCK



STAMPED STEEL STRIKE PLATE FOR 060-0201 WITH INSIDE LOCK OR 060-0251 WITH INWARD SWINGING DOOR



DIE CAST STRIKE PLATE FOR 060-0201 WITHOUT INSIDE LOCK WITH INWARD SWINGING DOOR