

060-0900 Recessed Mount Plunger Bolt



DESIGNED FOR:

- Lift gage doors, baggage compartment doors and utility compartment doors

FEATURES/BENEFITS:

- .500 allowable travel
- Low operating efforts
- Corrosion resistant
- Non-metallic plunger bolt
- Flange mount allows for internal door mounting (recessed)



500 Bailey Avenue
P.O. Box 350
New Hampton, Iowa 50659
United States
Tel: 641-394-3188
Fax: 641-394-2392
1-800-447-0343
www.trimarkcorp.com



TriMark Europe, Ltd.

Cedar Court
Walker Road
Bardon Hill
Coalville LE67 1TU
United Kingdom
Tel: +44 (0)1530 512460
Fax: +44 (0)1530 512461
www.trimarkeu.com



060-0900 Recessed Mount Plunger Bolt

FINISH:

- Black painted finish

MATERIAL:

- Base, cover, slide: cold rolled steel
- Spring: stainless steel
- Plunger: nylon

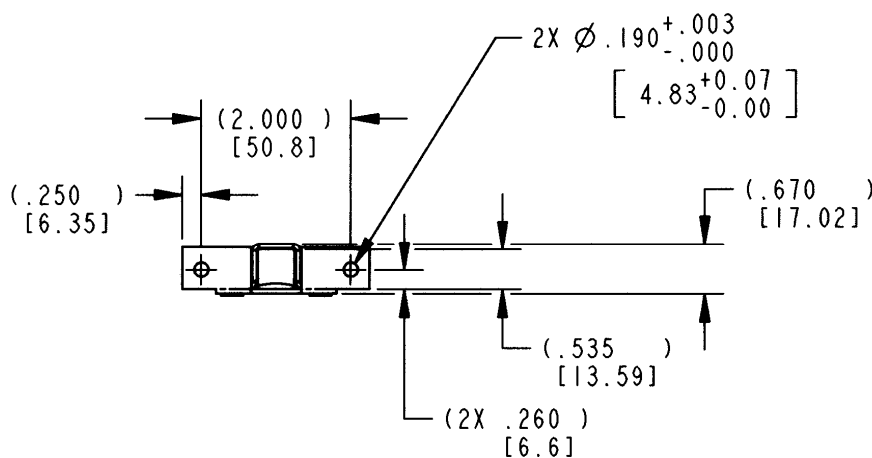
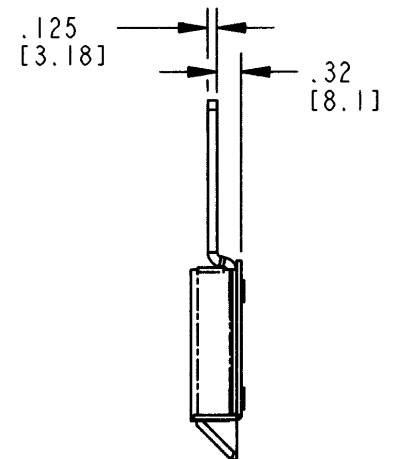
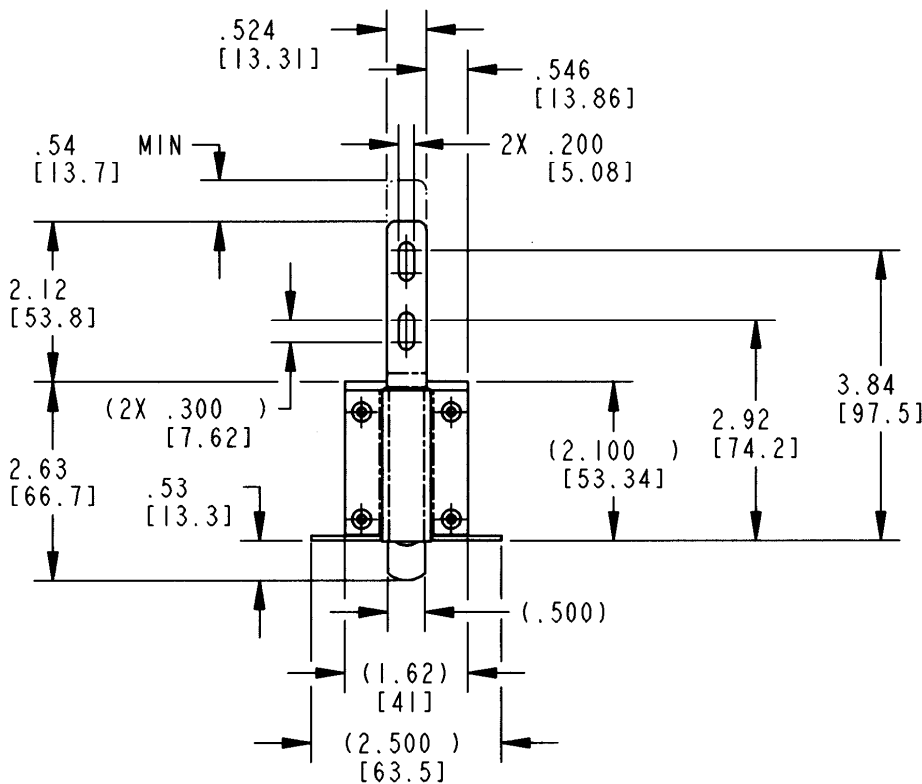
AVAILABLE:

- Custom rods up to .188 Ø

INSTALLATION:

- Recommended use of (2) 3/16 dia. pop rivets or #12 type AB, B or BP steel thread forming screws

Individual part dimensions are for reference only. Refer to individual part drawings for complete dimensions, specifications, and installation procedures. Engineering assistance and application drawings are available.



For more information visit
www.trimarkcorp.com