

060-1300
Flush Mount
Security Latch



This redesigned security lock is intended for recreational vehicle entrance doors including motor homes and travel trailers where it is advantageous to use a remote mounted security lock. It features a serviceable KeyOne™ Plus lock cylinder, is power lockable and provides for easier installation.

DESIGNED FOR:

- Entrance door applications in travel trailers and motor homes with thicknesses of 1-1/2" (38.1mm) to 2-1/2" (63.5mm)
- Applications where it is desirable to use a remote mounted security lock



www.trimarkcorp.com

TriMark Corporation

500 Bailey Avenue
P.O. Box 350
New Hampton, Iowa 50659
United States
Tel: 641-394-3188
Fax: 641-394-2392
1-800-447-0343
www.trimarkcorp.com



TriMark Europe

Cedar Court
Walker Road
Bardon Hill
Coalville LE67 1TU
United Kingdom
Tel: +44(0)1530 512460
Fax: +44(0)1530 512461
www.trimarkeu.com



FEATURES/BENEFITS:

- Can be mounted on either hollow or solid core door on travel trailers and motor homes
- Universal round design allows for use on left or right hand doors
- Dead bolt locks into the fully extended position for true dead bolt functioning
- Adaptable to powerlock actuation
- KeyOne™ Plus lock allows for serviceable lock cylinder

AVAILABLE:

- Keyed random with 100 key codes
- Standard 5-1/2" (139.7mm) backset
- Lock can be keyed to match other TriMark door products with KeyOne™ Plus for a single-key system, keyed alike or provided non-locking



INSTALLATION:

- Security lock sub-assemblies (3) are easy to install with supplied fasteners (inside and outside assemblies only)
- Supplied with gasket already applied under recess in housing flange for simple, clean installation

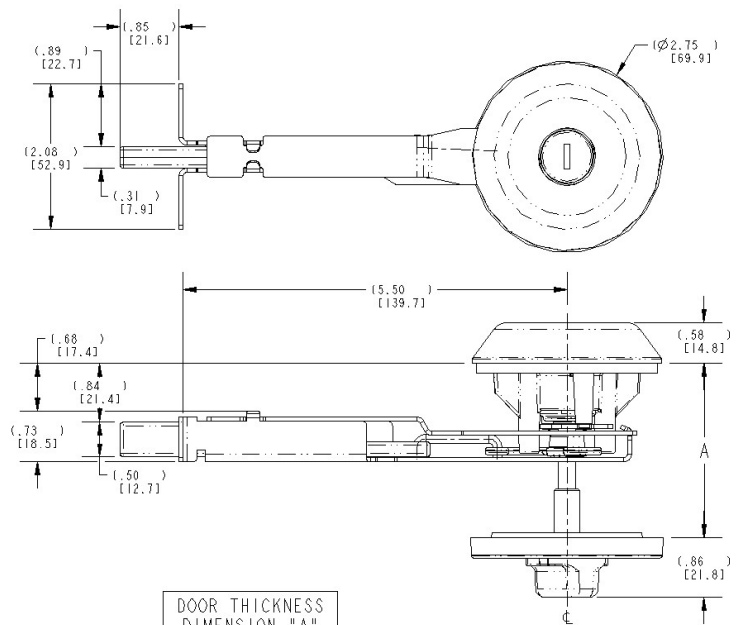
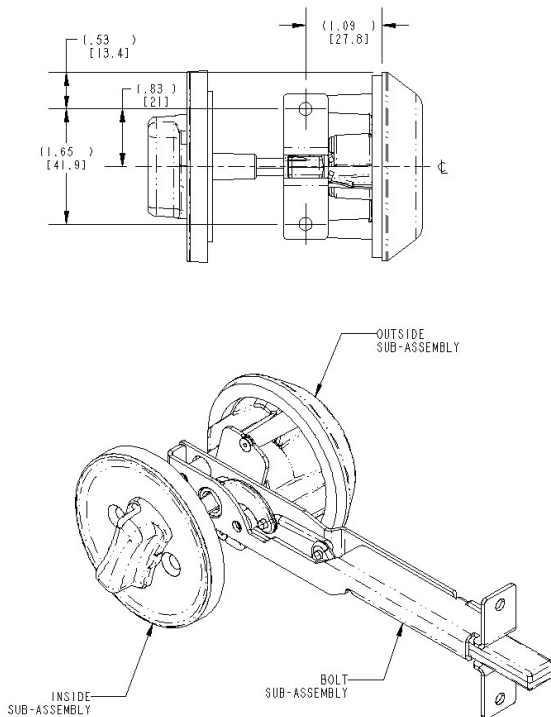
MATERIAL:

- Interior/exterior housing, lock knob and deadbolt - die cast zinc alloy
- Stamped steel deadbolt carrier

FINISH:

- Black powder coated or chrome
- Additional colors and finishes available – please inquire
- Zinc plated clear chromate steel components

Individual part dimensions are for reference only. Refer to individual part drawings for complete dimensions, specifications, and installation procedures. Engineering assistance and application drawings are available.



DOOR THICKNESS DIMENSION "A"	
1.50	[38.1]
2.00	[50.8]
2.50	[63.5]

For more information visit
www.trimarkcorp.com

