

Table of Contents

Latches

Dead Bolt

140-0100 TriGuard Heavy Duty Cam Lock	49
---	----



140-0100

Slam Action (hook, pivoting & rotating catch)

030-0500 Pivoting Catch Compartment Latch.....	50
030-0550 Heavy Duty Pivoting Catch Compartment Latch	51
050-1300 Plastic Slam Latch	52



030-0500



050-1300



030-0550



080-0200

080-0400

080-0700

080-0500

Compression

080-0200 Lever Style Compression Latch	53
080-0400 CompOne™ Compression Latch	54
080-0500 Grapple Style Compression Latch	55
080-0700 Light Duty Compression Hook Latch	56



080-7100

090-0520

090-7100

090-7110

090-7200

Over Center

080-7100 Over Center Latch	57
090-0520 Window Hold-Open	58
090-7100 T-Style Over Center Window Stay	59
090-7110 Compact T-Style Window Hold-Open	60
090-7200 L-Style Over Center Window Stay	61



130-0100

130-7200

Pin Type

130-0100 Dual Release Door Hold-Open	62
130-7200 Door Hold-Open	63

Handles

Paddle

030-0100 Single Rotor Compartment Latch	64
030-0200 / 030-0250 Paddle Handle	65
030-0800 Flush Mounted Paddle Handle	66
030-0850 Flush Mounted Paddle Handle	67
030-0860 Flush Mounted Paddle Handle With Inside Lock Knob ..	68
030-0875 Free-Float Flush Mounted Paddle Handle	69
030-0900 Motor Home Entrance Door Hardware With DeadBolt...	71



030-0100

030-0200

030-0250

030-0800

030-0850

030-0860

030-0900

030-0875

Table of Contents

Handles

Paddle - Continued

030-1100 Two Point Paddle Handle	73
030-1125 Paddle Handle with Hook	73
030-1200 Round Paddle Handle	74
030-1300 D-Paddle Handle	76
030-1400 Paddle Handle	77
030-1425 Inside Bezel & Release Lever Assembly	78
030-1450 Two Point Paddle Handle	79
030-1800 Non-Locking Flush Mounted Paddle Handle	80
030-1850 Flush Mounted Paddle/Handle Rigid Locking	81
030-1860 Flush Mounted Paddle/Handle With Inside Lock Knob.....	82
030-1875 Flush Mounted Paddle Handle With Free-Floating Paddle	83
030-2000 Two Point Free Float Baggage Lock	84
030-2300 Wedge Paddle Handle	85
030-2650 Motor Home Entrance Door Hardware-Rotary	86
030-7100 Recessed Paddle Handle	88
030-7300 Compact Recessed Paddle Handle	89
060-0201 Trailer Latch	90
060-0251 Trailer Latch With Dead Bolt	90
060-0460 EZ Access Baggage Door Lock	91
060-0475 Flush Baggage Door e-LOCK	92
060-1650 Motor Home Entrance Door Hardware	93
100-7100 Caraloc Entrance Door Set	95



Push Button

040-0300 Non-Metallic Push Button Handle	105
040-0600 TriMount Push Button Handle	106
040-0700 Lift and Latch Handle	107
040-1400 Push Button Center Control	108
040-7100 Push Button Handle - Economy	109
040-7200 Push Button Handle - Flat Style	110
040-7300 Push Button Handle - Water Resistant	111



Pull Type

020-0700 Flush Pull Handle - Free-Float	96
020-0750 Flush Mount Pull Handle Locked Rigid	97
020-0800 Surface Mounted Pull Handle.....	98
020-0850 e-LOCK Pull Handle	99
020-0870 Power Locking Pull Handle With Capacitive Sensor - PKE	100
020-1100 Remote Pull Handle	102
020-1150 Two Point Free Float Pull Handle	103
020-7100 Flush Pull Handle	104



Table of Contents



Rotating T & L

010-0100 Release Lever	112
010-0200 Non-Locking L-Handle	113
010-0300 Locking L-Handle	113
010-0600 Flush Mounted Pop-Up T-Handle	115
010-0700 Light Duty Compartment Latch	116
010-1000 Rotating Lever Handle	117
010-1100 TriGuard Heavy Duty Rotating Handle	118
010-7100 Window Handle - Single Position	119
010-7120 Window Handle - Double Position	120

Grab

020-0150 Grab Handle	121
020-7200 Grab Handle	122

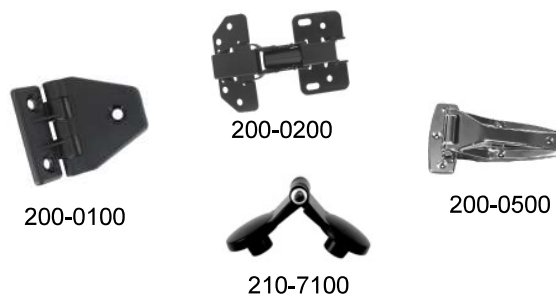
Linkages

Inside Release

020-0900 Remote Inside Release	123
020-0910 Inside Squeeze Release - Remote	124
020-0925 Squeeze Release With Assist Bar	125
090-0201 Push Button Linkage	126
090-0220 Pull Handle Linkage	126

Hinges

200-0100 Hinge Assembly - Plastic	128
200-0200 Cabinet Hinge	128
200-0500 Hinge Assembly	129
210-7100 Hinge Assembly - Aluminum	130



Radio Frequency (RF)

500-1000 e-ASK System	131
500-1100 e-FOB System	132
510-0250 e-ASK CAN IO and RF Module	133
530-0100 e-FOB Transmitter	134



Electrical/Electronic



Keypad

540-0100 e-PAD Keypad	135
540-0125 e-PAD With Relays	136
540-0200 Lighted Grab Handle With Keypad (e-GRAB)	137

030-0100 Single Rotor Compartment Latch

Designed for most medium to heavy-duty storage and compartment doors, this product features an integrated rotary latch for ease of installation and use.

- On or off-highway vehicle applications - construction, mining, agricultural
- Service and utility truck body doors
- Fire and rescue unit vehicles
- Most storage, compartment and access doors with latch and strike location at top or sides of door
- Door weights of approximately 75 lbs. (34 kg) or less
- Use with TriMark 070-0100 Striker Bolt

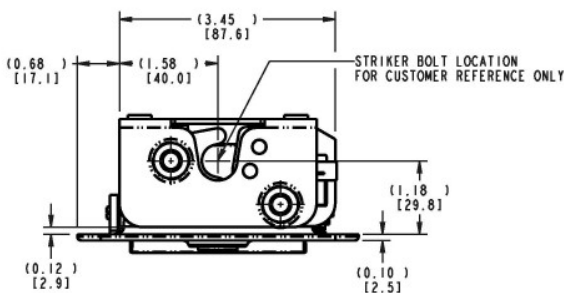
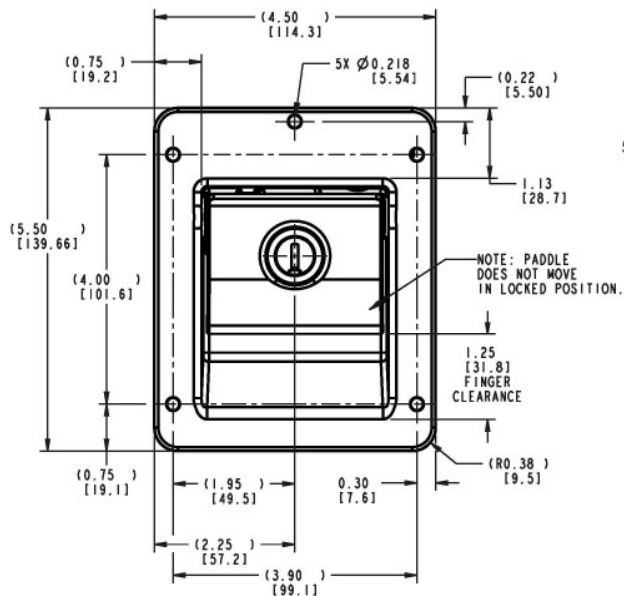
AVAILABLE:

- Keyed alike
- Keyed random
- Padlockable

MATERIAL:

- Housing and paddle: Die cast zinc alloy
- Other components: Zinc plated, mild steel
- Internal latch components: Case hardened, smooth edge stamped steel

All dimensions are for reference only. For more information visit www.trimarkcorp.com



FINISH:

- Clear chromate, ready to paint
- Buffed copper-nickel-chrome plated
- Buffed duplex nickel

INTERNAL LUBRICATION:

- Oven-cured dry lubricant is applied on all critical moving parts

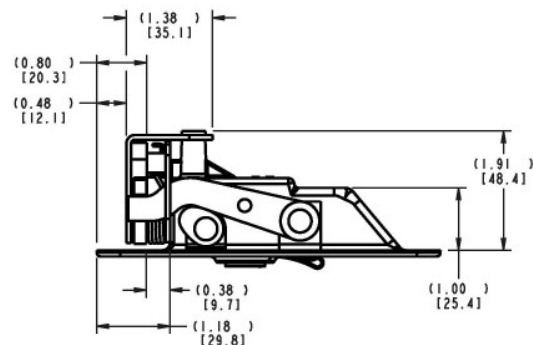
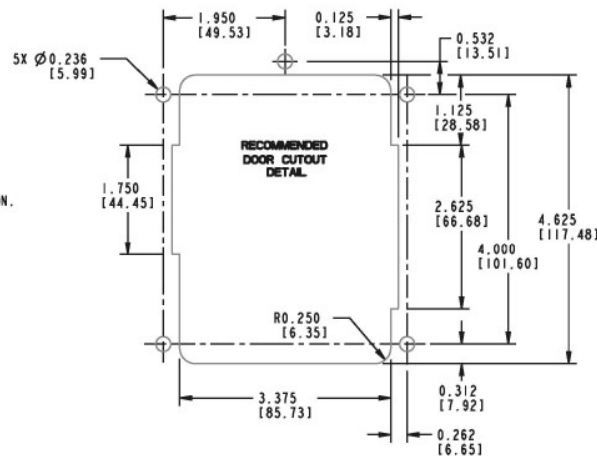
INSTALLATION:

- 3/16" (4mm) diameter fasteners

APPLICATION RECOMMENDATIONS:

- Striker bolt installation should allow for a minimum radial movement of .060" (1.524mm) for adjustment
- Rubber bumpers or door seals are recommended to reduce effects of vibration stress on door and latch system

Caution: Latch does not meet FMVSS 206 (ECE R11) load requirements.



030-0200 / 030-0250 Paddle Handle

This flush paddle was designed for heavy-duty off-highway vehicle entrance doors and features robust construction and pivot plate versatility.

- Off-highway vehicle applications - construction, mining, agricultural, forestry
- Doors requiring latch location remote from activating handle
- Door thickness of 2.00" (50.8mm) or greater

AVAILABLE:

- In right or left hand configurations (left hand shown)
- In locking or non-locking configurations
- Optional pivot plates (please inquire)

MATERIAL:

- Housing and paddle: Die cast zinc alloy
- Pivot components: Zinc plated, mild steel

FINISH:

- Housing and paddle: Black powder coated
- Copper-nickel-chrome plated

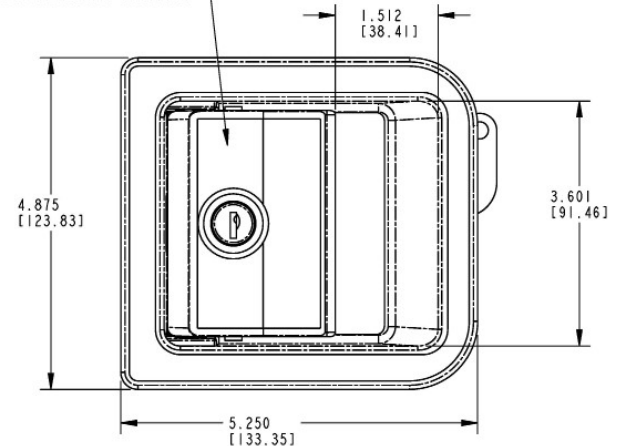
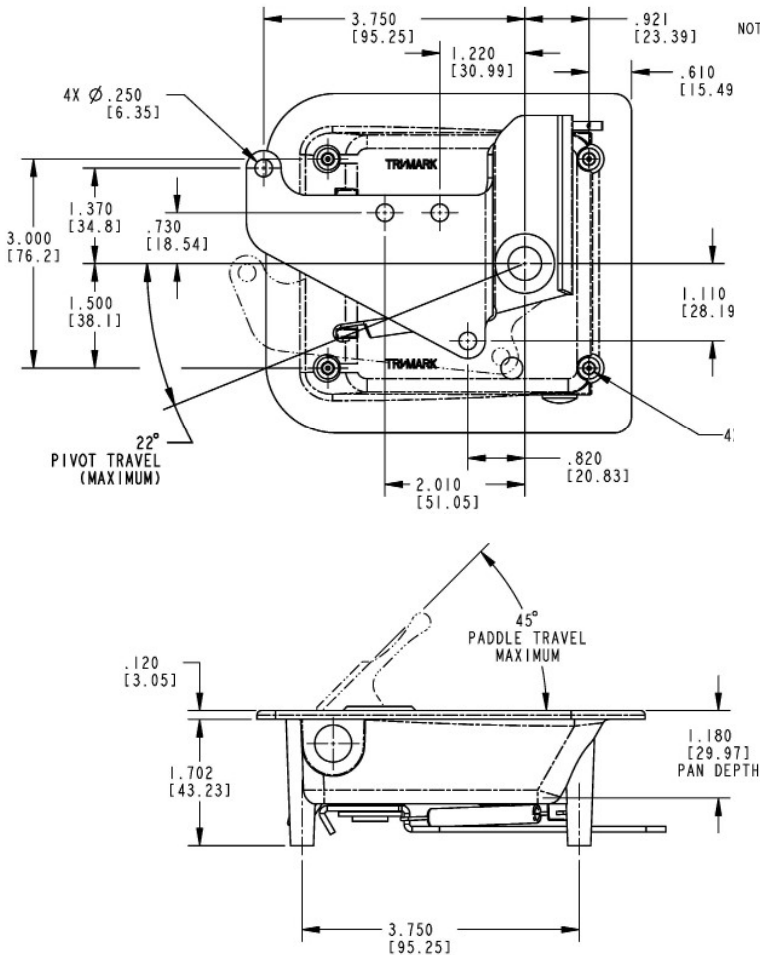


INSTALLATION:

- (4) 10-24 UNC or M5 x .8 mounting screws (not included)

NOTE: Mounting bosses are tapped 3/8" deep

Caution: Product does not meet the locking requirements of FMVSS 206 (ECE R11).



030-0250 Paddle Handle With Inside Release Lever

All dimensions are for reference only. For more information visit www.trimarkcorp.com

Handles:
Paddle
65

030-0800 Flush Mounted Paddle Handle

This flush paddle was designed for medium to heavy-duty on-highway vehicle entrance doors and features robust construction and pivot plate versatility.

- Off-highway applications--construction, mining, forestry and agricultural
- On-highway--emergency vehicles not requiring FMVSS 206 standards

FEATURES/BENEFITS:

- Mounts in doors requiring latch location remote from activating handle
- Can be used with both cutouts shown in drawing

AVAILABLE:

- In right or left hand configurations (left hand shown)
- Non-locking or locking--keyed alike with shuttered keyway
- Optional pivot plates (please inquire)

INSTALLATION:

- Easily installed with (2) 1/4-20 UNC mounting



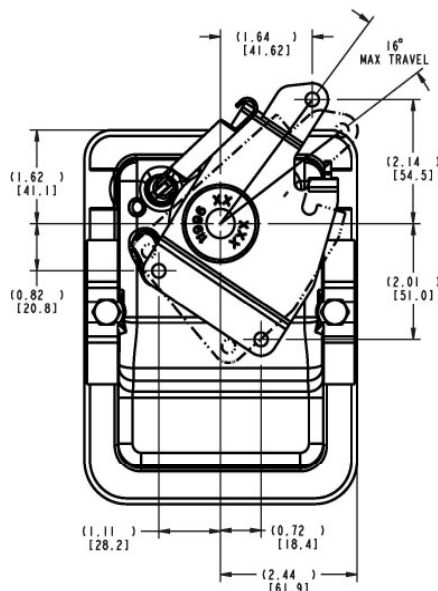
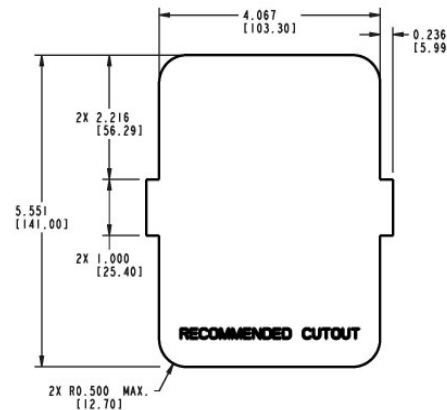
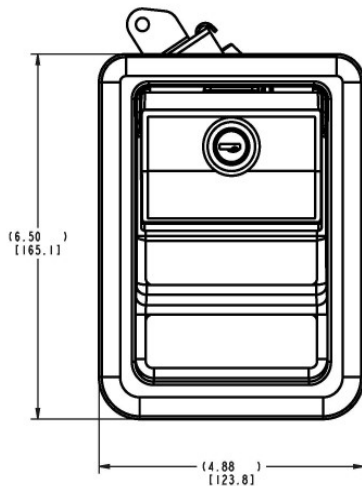
MATERIAL:

- Housing and paddle: Sturdy die cast zinc alloy
- Pivot components: Zinc plated, mild steel
- Bushing for paddle axle and thrust washers for pivot plate: Nylon 6/6

FINISH:

- Housing and paddle can be finished in your choice of black powder coat or buffed copper-nickel-chrome

Caution: Product does not meet the locking requirements of FMVSS 206 (ECE R11).



All dimensions are for reference only. For more information visit www.trimarkcorp.com

Handles:

Paddle
66

030-0850 Flush Mounted Paddle Handle

This flush paddle was designed for medium to heavy-duty on-highway vehicle entrance doors and features robust construction, a lock detail that allows for power locking and is compliant to FMVSS 206 (ECE R11). It incorporates the basic materials and concept used in the 030-0800 Flush Mounted Paddle Handle.

FEATURES/BENEFITS:

- Inside lock provides override if outside paddle should be locked
- Paddle is rigid when locked
- Inside lock provides for multiple connection points for use of inside lock and/or powerlock actuation
- Adaptable to power lock actuation

INSTALLATION:

- Either handed version can be installed in a wide range of locations in door - either horizontal or vertical orientation (left hand shown)

MATERIAL:

- Housing and paddle: Zinc die cast alloy
- Pivot components: Zinc plated, mild steel
- Bushing for paddle axle and thrust washers for pivot plate: Nylon 6/6

All dimensions are for reference only. For more information visit www.trimarkcorp.com



FINISH:

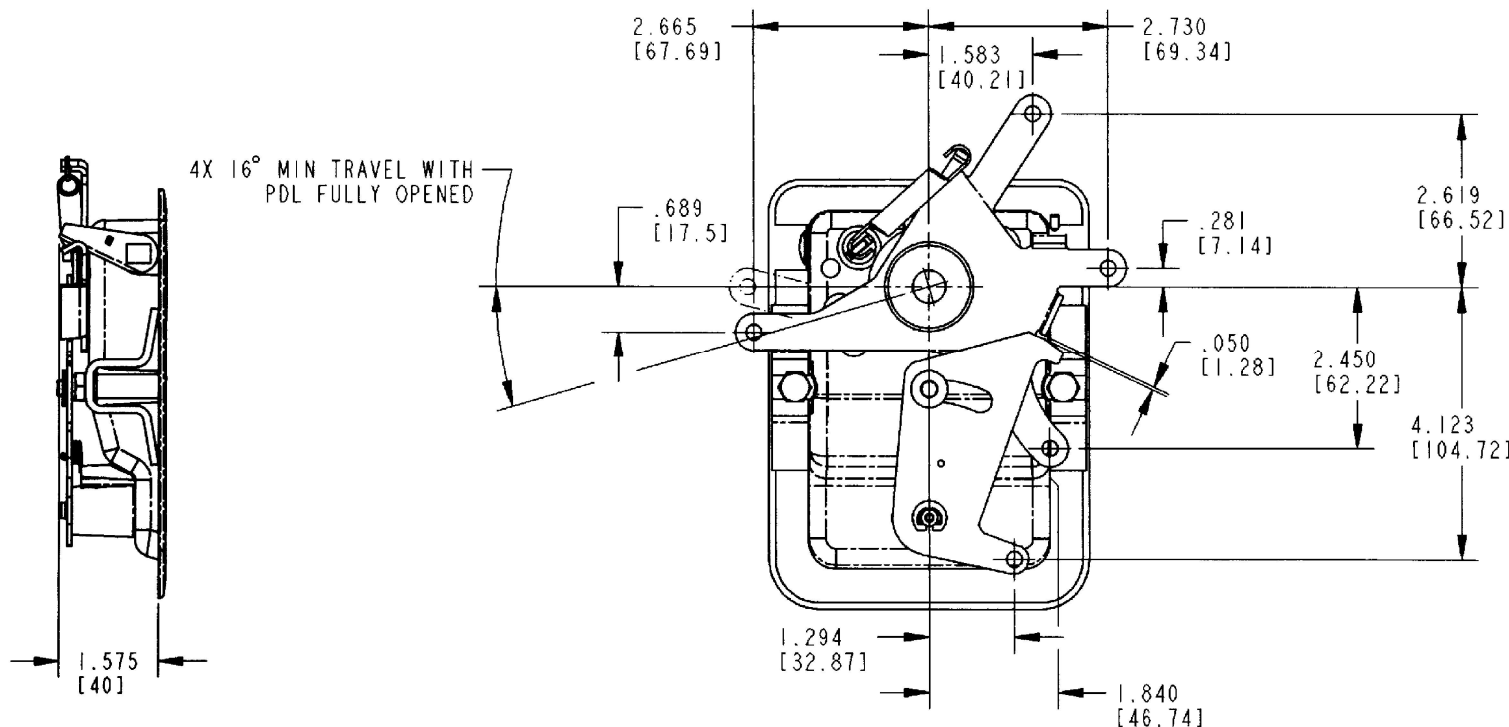
- Black powder coated
- Copper-nickel-nickel-chrome plated
- Combination black powder coated housing and chrome paddle

AVAILABLE:

- Optional gasket for flange of housing is available to provide resistance to water and dirt infiltration
- Keyed random. TM201-TM250
- Keyed alike
- KeyOne™ Plus
- Optional pivot plates (please inquire)



Note that the 030-0850 Flush Mounted Paddle Handle complies with FMVSS 206 (ECE R11) when tested in accordance with SAE J839 and that this product meets FMVSS 206 (ECE R11) locking requirements and may be used in FMVSS 206 (ECE R11) applications pending TriMark application approval. Please refer to page 158 for the complete FMVSS 206 (ECE R11) statement.



Handles:
Paddle
67

030-0860 Flush Mounted Paddle Handle With Inside Lock Knob

This flush paddle was designed for medium to heavy-duty, on-highway vehicle entrance doors and features robust construction, an inside lock knob for use as an inside release and is compliant to FMVSS 206 (ECE R11). The 030-0860 Flush Mounted Paddle Handle With Inside Lock Knob incorporates the basic material and concepts used in the 030-0800 Flush Mounted Paddle Handle.

- Inside lock provides override if outside paddle should be locked
- Paddle is rigid when locked

MATERIAL:

- Housing and paddle: Die cast zinc alloy
- Pivot components: Zinc plated, mild steel
- Bushing for paddle axle and thrust washers for pivot plate: Nylon 6/6

FINISH:

- Black powder coated
- Chrome plated

AVAILABLE:

- Optional pivot plates (please inquire)

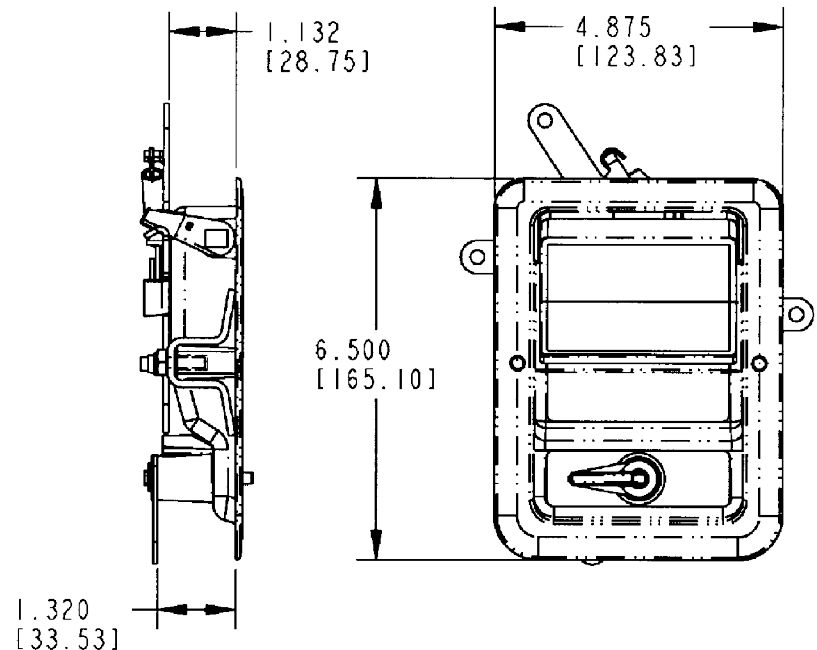
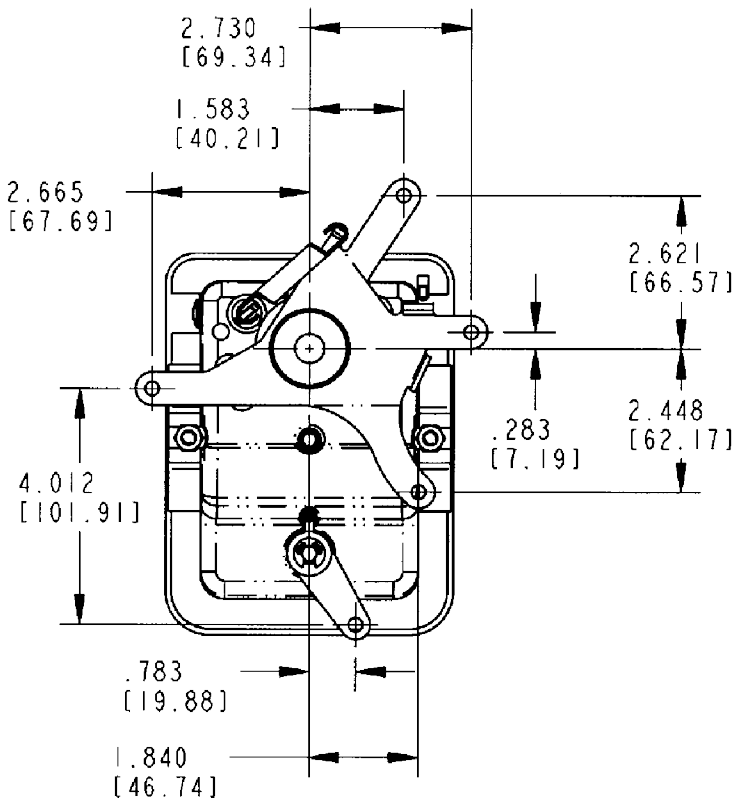


INSTALLATION:

- Either handed version can be installed in a wide range of locations in door—either horizontal or vertical orientation (left hand shown)

Note that this 030-0860 Flush Mounted Paddle Handle With Inside Lock Knob complies with FMVSS 206 (ECE R11) when tested in accordance with SAE J839 and that this product meets FMVSS 206 (ECE R11) locking requirements and may be used in FMVSS 206 (ECE R11) applications pending TriMark application approval. Please refer to page 158 for the complete FMVSS 206 (ECE R11) statement.

All dimensions are for reference only. For more information visit www.trimarkcorp.com



Handles:

Paddle
68

030-0875 Free-Float Flush Mounted Paddle Handle

This flush mounted paddle handle is a redesign of our popular 030-0850 Flush Mounted Paddle Handle. Featuring a free-float paddle in the locked position, this robust product allows for power locking and is compliant to FMVSS 206 (ECE R11).



- Medium to heavy-duty on-highway vehicle entrance doors where free-float locking is preferred
- Door weights of 23-455 kg (50-1000 lbs.)

FEATURES/BENEFITS:

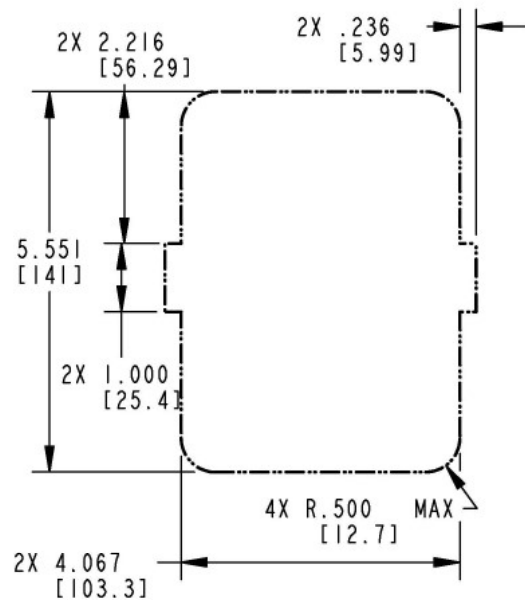
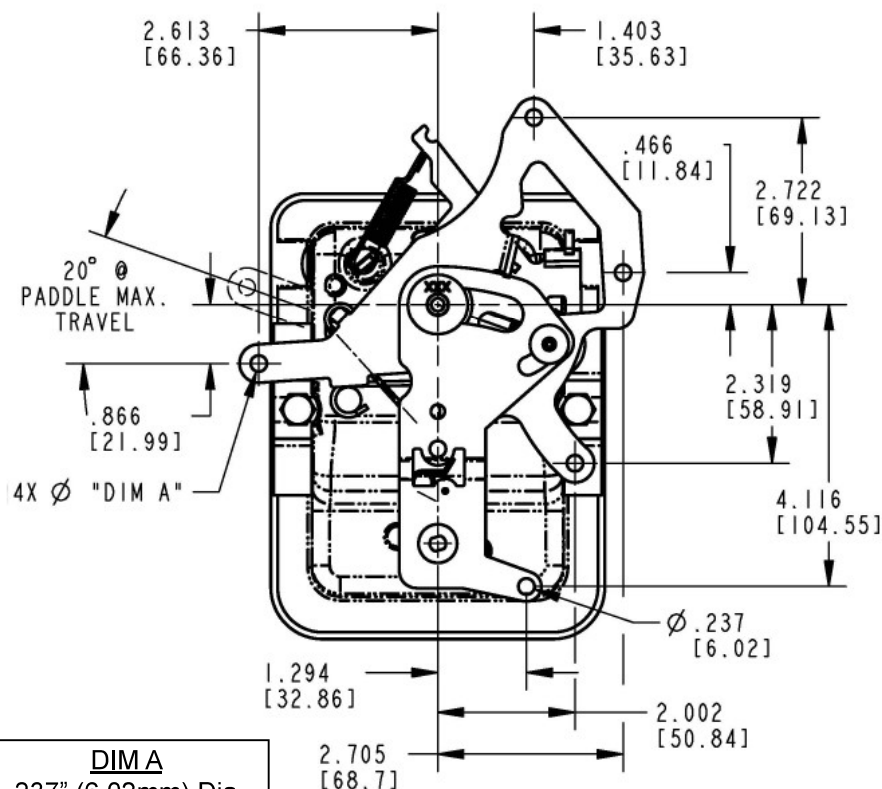
- Provides for multiple connection points for use on inside lock and/or power lock actuation
- Inside lock provides override if paddle should be locked
- Handle can be keyed to match other TriMark door products with KeyOne™ Plus for a single-key system or provided non-locking



AVAILABLE:

- Optional gasket for flange of housing is available to provide resistance to water and dirt infiltration
- Lock can be keyed to match other TriMark door products with KeyOne™ Plus for a single-key system, keyed alike or provided non-locking
- Optional pivot plates (please inquire)

All dimensions are for reference only. For more information visit www.trimarkcorp.com



RECOMMENDED CUTOUT FOR INSTALLATION

DIMA

.237" (6.02mm) Dia.
.265" (6.73mm) Dia.

Handles:
Paddle
69

030-0875 continued

INSTALLATION:

- Either hand version can be installed in a wide range of locations in door -- either horizontal or vertical orientation (left hand shown)
- Installs into current 030-0850 cut-outs

MATERIAL:

- Paddle and housing: Sturdy die cast zinc alloy
- Pivot components: Zinc plated, mild steel
- Bushing for paddle axle and thrust washer for pivot plate: Nylon 6/6

FINISH:

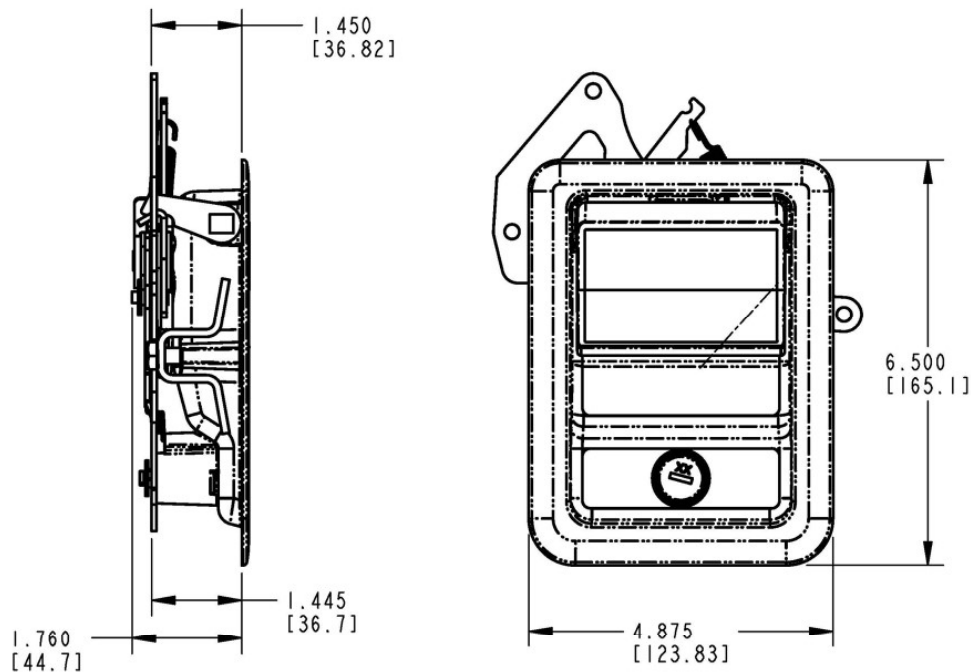
- Available in a variety of finishes including black powder coated, high quality buffed chrome or a combination of black/chrome finish

U.S. Patent No. 8,579,337

NOTE: Meets FMVSS 206 (ECE R11) load requirements and may be used in FMVSS 206 (ECE R11) applications pending approval.

Note that this 030-0875 Free-Float Flush Mounted Paddle Handle complies with FMVSS 206 (ECE R11) when tested in accordance with SAE J839 and that this product meets FMVSS 206 (ECE R11) locking requirements and may be used in FMVSS 206 (ECE R11) applications pending TriMark application approval. Please refer to page 158 for the complete FMVSS 206 (ECE R11) statement.

All dimensions are for reference only. For more information visit www.trimarkcorp.com



Handles:

Paddle
70

030-0900 Motor Home Entrance Door Hardware With Deadbolt

Designed for motor home entrance doors, this product provides easy installation with through sandwich mounting. It features a large exterior paddle and an ergonomic "L" inside release and is adaptable for power locking.



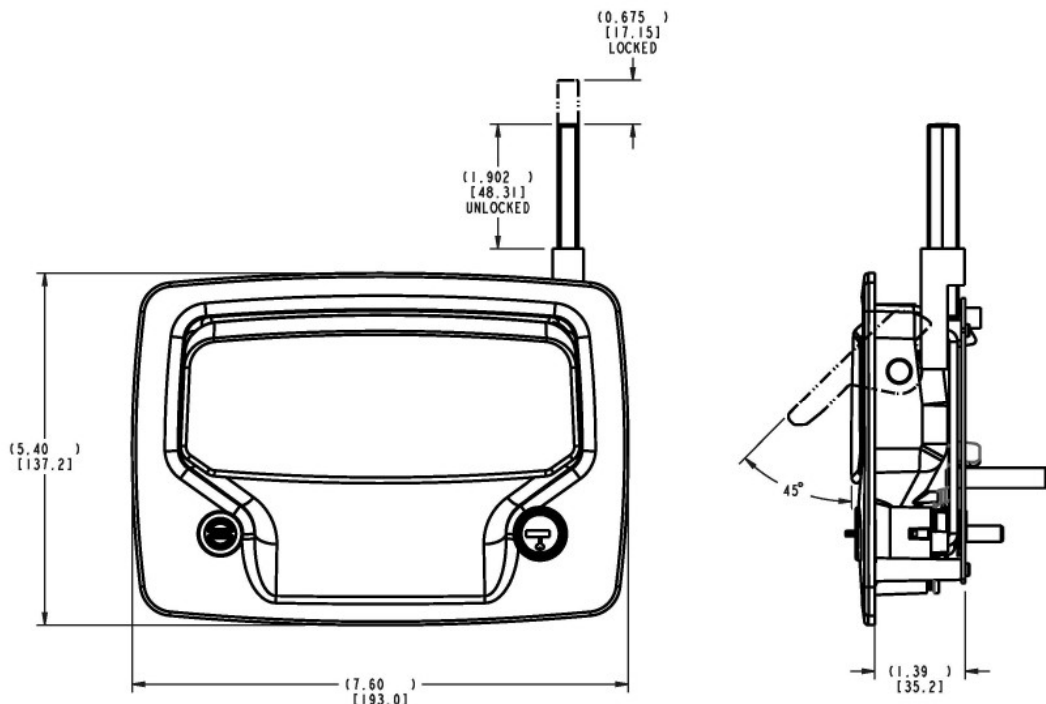
- Motor home entrance doors with thickness of 1-1/2" (38.1mm) or 1-15/16" (49.2mm)
- Applications requiring resistance to water and dirt infiltration
- Door seal pressures of 25 lbs. (11 kg) or less for ease of function and maximum life (not to exceed 50 lbs. (23 kg))
- Right hand applications
- Door weights up to 75 lbs. (34 kg)

FEATURES/BENEFITS:

- Automotive style latch mechanism
- Smooth opening/closing action
- Paddle can be locked before door is shut
- Paddle is rigid when locked
- Comfortable finger access
- New inside handle design facilitates ergonomic function and modern styling
- Adaptable for power door lock actuator
- Built-in deadbolt eliminates the need for an add-on residential type deadbolt
- Deadbolt locks into the fully extended position for true dead bolt functioning

AVAILABLE:

- Master keyed passage lock key cylinder
- Non-master keyed deadbolt
- Gasket (not included)
- Lock can be keyed to match other TriMark door products with KeyOne™ Plus for a single-key system, keyed alike or provided non-locking
- Standard or extended length deadbolt
- Sandwich mounting is available for door thicknesses of 1.500" (38.1mm), 1.614" (41.0mm) or 1.875" (47.6mm)



All dimensions are for reference only. For more information visit www.trimarkcorp.com

030-0900 continued

FINISH:

- Black powder coated
- Chrome plated
- Interior release: Black powder coat or white

MATERIAL:

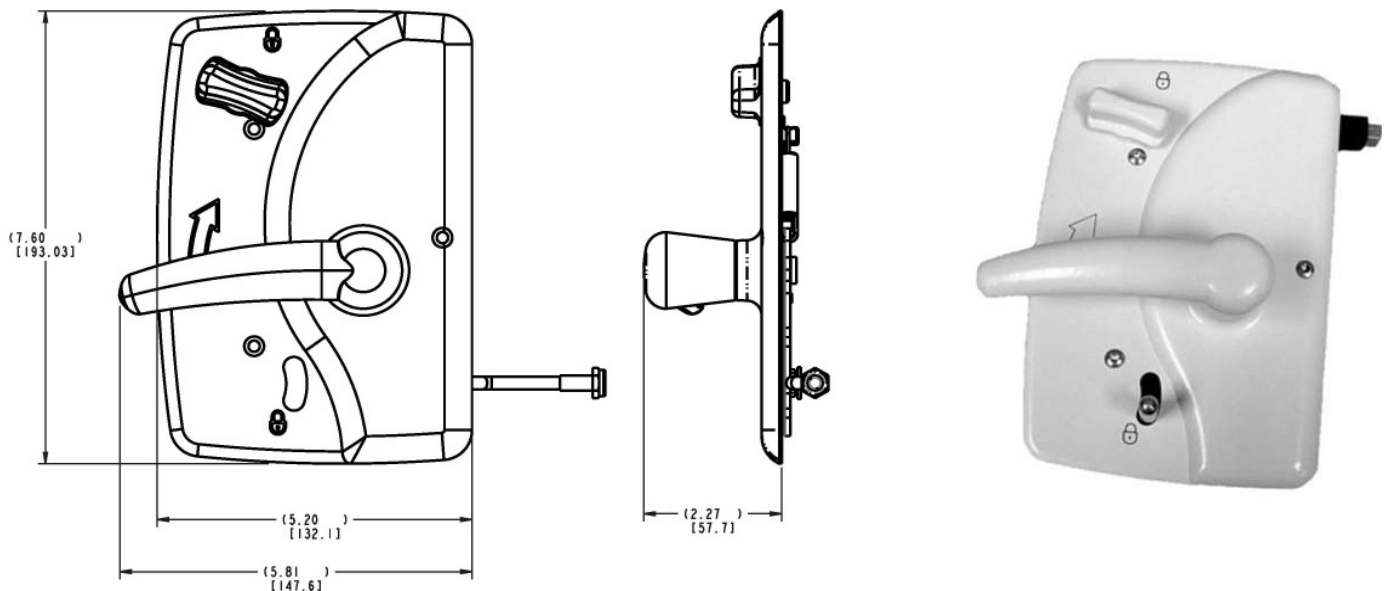
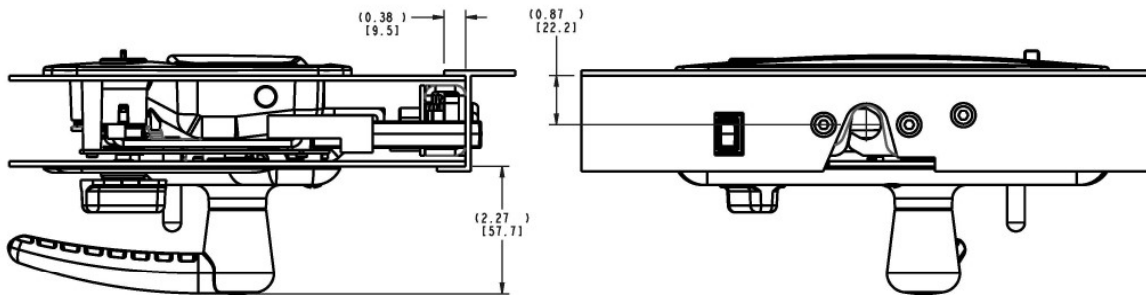
- Housing, inside plates, paddles, and certain lock actuating components: Die cast zinc alloy
- Internal latch components: Heat treated, smooth edge stamped steel
- Springs: Non-corrosive stainless steel
- Case halves: High strength steel

INSTALLATION:

- #8-32 UNC mounting screws (please inquire)
Recommended torque 13 in-lbs (1.4 N-m)
- Sandwich mount installation does not require any linkage rods

U.S. Design Patent No. D529,367

Note that this 030-0900 Motor Home Entrance Door Hardware With Deadbolt complies with FMVSS 206 (ECE R11) when tested in accordance with SAE J839 and that this product meets FMVSS 206 (ECE R11) locking requirements and may be used in FMVSS 206 (ECE R11) applications pending TriMark application approval. Please refer to page 158 for the complete FMVSS 206 (ECE R11) statement.



All dimensions are for reference only. For more information visit www.trimarkcorp.com

030-1100 Two Point Paddle Handle

This compartment latch was designed for light to medium duty storage and compartment doors. This non-handed product features a two point bellcrank for remote actuation.

- Cross bed tool boxes
- Truck topper and lift gate doors
- Most storage, compartment, and access doors with single or two point latch mechanism

FEATURES/BENEFITS:

- Water resistant
- Sleek automotive styling
- Paddle is rigid when locked
- Single point or two point actuation
- Flush mount -- contoured surface
- Corrosion resistant
- Non-handed design

AVAILABLE:

- Non-locking or locking with shuttered keyway
- Two point actuation
- Keyed alike
- Keyed random. 50 key codes -- TM901 - TM950
- With rod collars

FINISH:

- Black powder coated



MATERIAL:

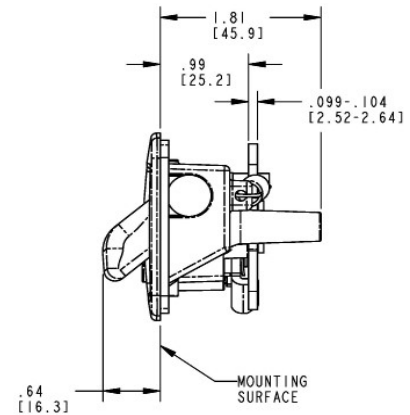
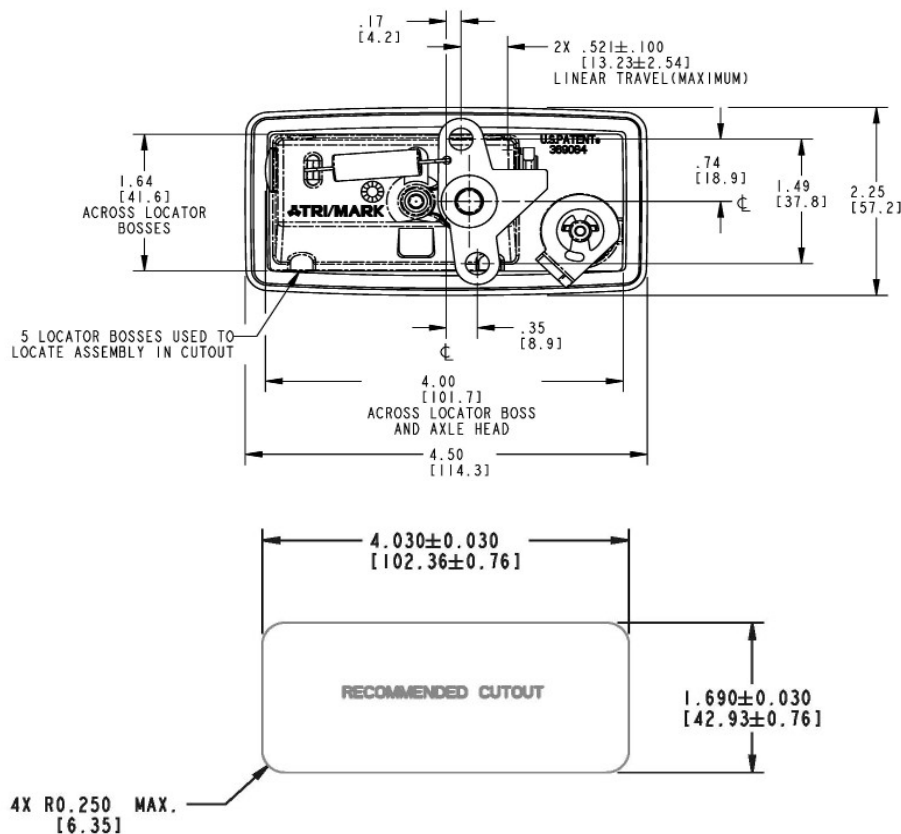
- Housing and paddle: Die cast zinc alloy
- All steel parts (axles, pivot arm, pivot plate, lock cam): Zinc plate clear chromate for corrosion resistance

INSTALLATION:

- Supplied with gasket already applied under recess in housing flange for simple, clean installation
- Single point #10-24 UNC mounting fastener
- Optional mounting brackets (please inquire)

NOTE: Rod collars are not intended or recommended for use in applications that require FMVSS 206 (ECE R11) compliance or applications that have heavy or extreme Striker Bolt Loads (> 25 lbs. / 11 kg.) and/or high to extreme usage (> 100,000 door cycles/life).

Caution: Product does not meet the locking requirements for FMVSS 206 (ECE R11).



030-1125 Paddle Handle With Hook

All dimensions are for reference only. For more information visit www.trimarkcorp.com

Handles:
Paddle
73

030-1200 Round Paddle Handle

The 030-1200 Round Paddle Handle was designed for use on personnel and compartment doors for light to medium duty for on or off-highway applications. This ergonomic handle offers compact size for a cost effective price and brings a modern look and function to your cabs and enclosures.

- Light to medium duty agricultural and construction personnel and compartment doors
- Any baggage or compartment door
- Use in a direct latch release application or used in conjunction with a bellcrank for single point remote actuation

FEATURES/BENEFITS:

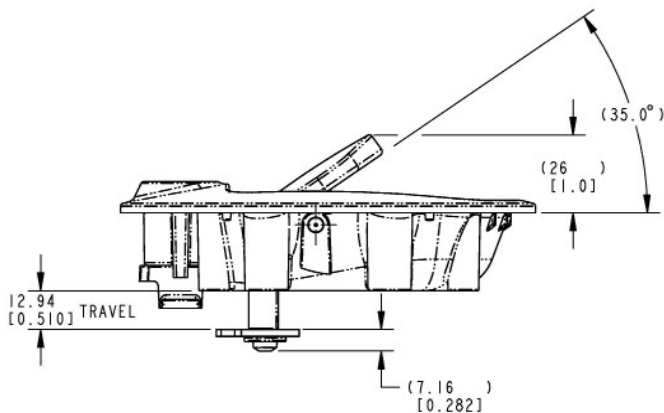
- Ergonomic function and styling
- Interior or exterior applications
- Rigid handle when locked
- Lock can be keyed to match other TriMark door products with KeyOne™ Plus for a single-key system, keyed alike or provided non-locking
- Non-handed configuration allows for universal applications



AVAILABLE:

- With a conventional paddle or open bail style handle for maximum leverage
- Can be keyed alike with most single and reversible key systems
- In locking or non-locking configurations
- With gasket for maximum water resistance
- With standard mounting bracket

All dimensions are for reference only. For more information visit www.trimarkcorp.com



MATERIAL:

- Handle, paddle and actuator: engineered plastic withstands corrosion and UV exposure
- Spring: non-corrosive stainless steel

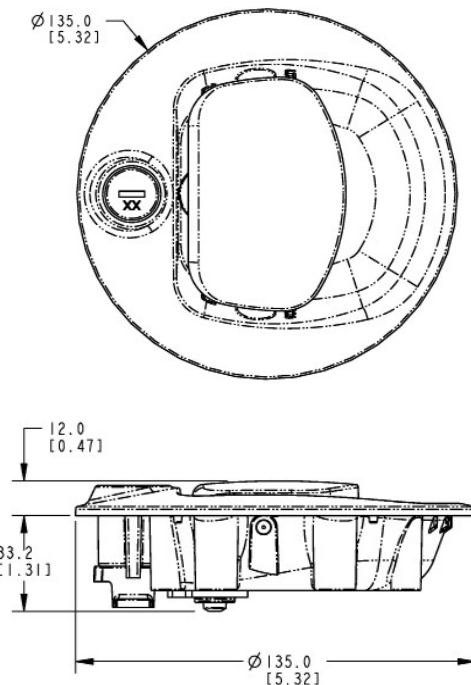
INSTALLATION:

- Easy installation with (4) M6 special high performance thread forming fasteners available
- Allows for glass mounting through a single 120mm diameter hole or steel through a double-D cutout

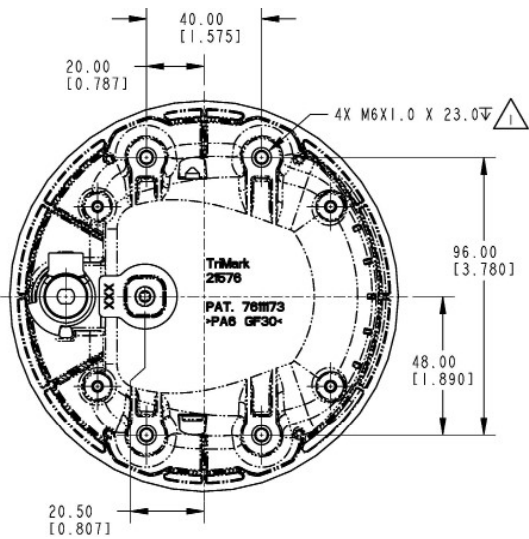
U.S. Patent No. 7,611,173

U.S. Design Patent No. D541,129

Caution: Product does not meet the locking requirements for FMVSS 206 (ECE R11)



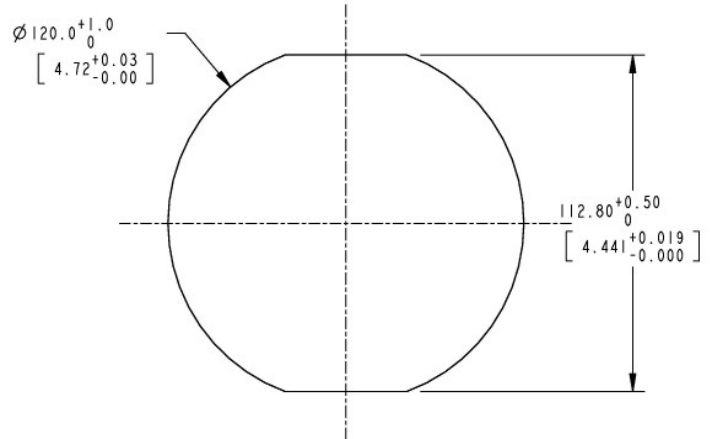
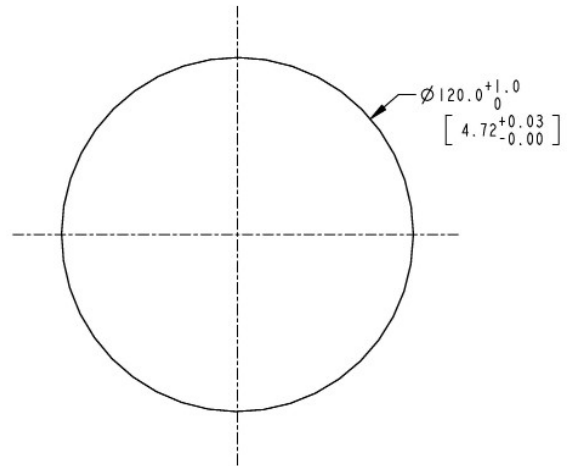
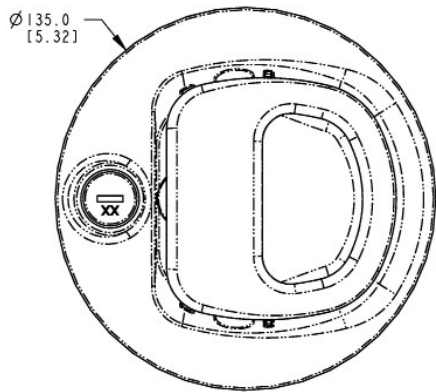
030-1200 continued



NOTE: UNLESS OTHERWISE SPECIFIED;

RECOMMENDED INSTALLATION TORQUE TO BE 9.4-11.5 N-m [83-102 lbf-in]

All dimensions are for reference only. For more information visit www.trimarkcorp.com



030-1300 D-Paddle Handle

This compartment paddle handle is designed for utility and service bodies, emergency vehicles and baggage doors for recreational vehicles. It features a multipoint bellcrank and is available in black or buffed copper-nickel-chrome finishes.

- Compartment doors on recreational vehicles
- Most storage, compartment and access doors
- Emergency vehicle compartment doors

AVAILABLE:

- In locking or non-locking configurations
- With single rotor latch module (050-0206) that can be orientated at 90° intervals with the paddle depending on application
- With gasket for flange of housing to provide resistance to water and dirt infiltration
- Multiple pivot plate for doors that require a remote latching mechanism

MATERIAL:

- Housing and paddle: Die cast zinc alloy
- Internal latch components: Case hardened, smooth edge stamped steel
- Springs: Stainless steel, non-corrosive
- Other components: Zinc plate mild steel



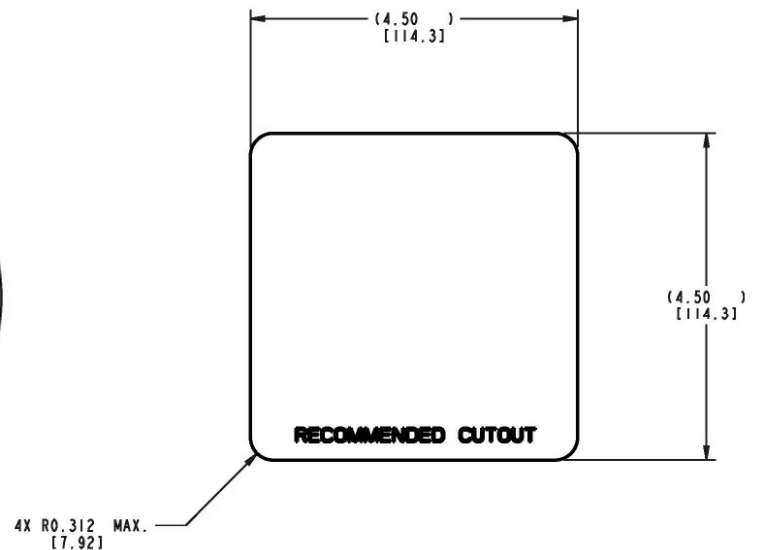
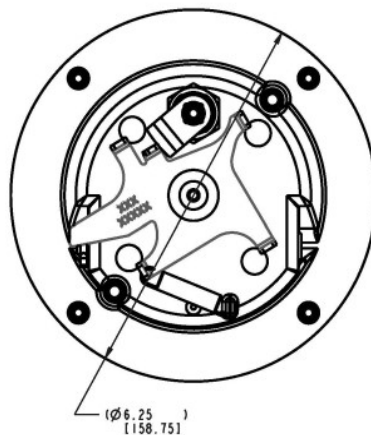
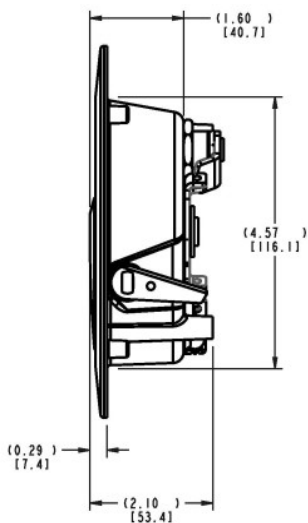
FINISH:

- Housing and paddle: Black powder coated or buffed copper-nickel-chrome plated
- Stampings: Zinc plate clear chromate conversion coat

INSTALLATION:

- Easy drop-in installation
- Integrated rotary: Mounts with (2) 1/4-20 UNC threaded cutting screws (not included)
- Two point: Mounts with (4) #10-24 UNC screws (not included)
- Retrofits with most folding D-ring handles presently used

Caution: Product does not meet the locking requirements for FMVSS 206 (ECE R11).



All dimensions are for reference only. For more information visit www.trimarkcorp.com

Handles:

Paddle
76

030-1400 Paddle Handle

This flush mounted paddle is a redesign of our 030-0400 paddle handle for entrance doors on RV and specialty vehicles. Containing the same proven mechanical details as previous with a modernized look, it can be used in FMVSS 206 (ECE R11) applications and features a remote pivot plate and lock cam actuation.

- Offers updated styling
- Inside lock provides override if outside paddle should be locked
- Molded rubber gasket for flange of housing provides resistance to water and dust infiltration
- Adaptable to power lock actuation



AVAILABLE:

- Lock can be keyed to match other TriMark door products with KeyOne™ Plus for a single-key system, keyed alike or provided non-locking
- Several pivot plate options are available to suit a wide variety of applications

MATERIAL:

- Sturdy zinc die cast alloy housing and paddle
- Steel components: Zinc plated, mild steel

FINISH:

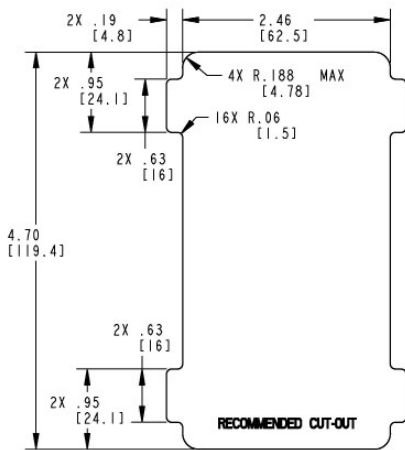
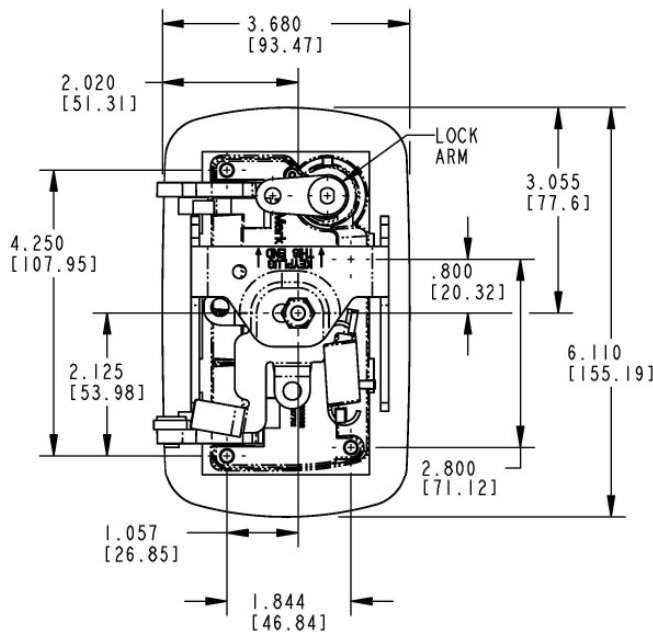
- Standard black powder coated, buffed copper-nickel-nickel-chrome plated or combination black powder coated housing and buffed chrome paddle

INSTALLATION:

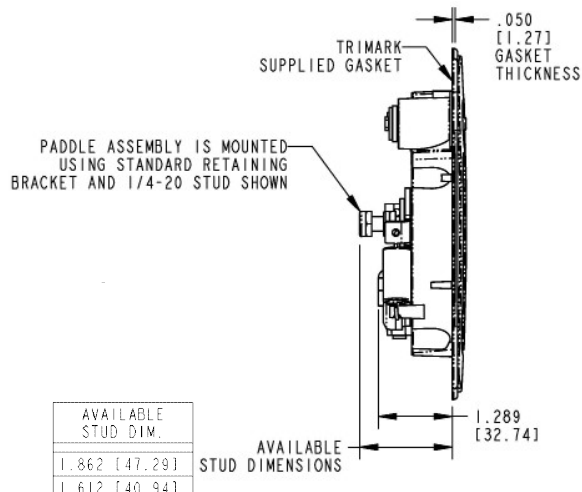
- Handle is easy to install with supplied single 1/4-20 UNC nut and mounting bracket (mounting torque not to exceed 30 in-lbs (3.39 N-m))
- Either handed version can be installed in a wide range of locations in both horizontal or vertical orientations (left hand shown)
- Retrofits with most 030-0400 flush paddle handles

U.S. Design Patent No. D537,701

Note that this 030-1400 Paddle Handle complies with FMVSS 206 (ECE R11) when tested accordance with SAE J839 and that this product meets FMVSS 206 (ECE R11) locking requirements and may be used in FMVSS 206 (ECE R11) applications pending TriMark application approval. Please refer to page 158 for the complete FMVSS 206 (ECE R11) statement.



SCALE 1.000



All dimensions are for reference only. For more information visit www.trimarkcorp.com

Handles:
Paddle
77

030-1425 Inside Bezel & Release Lever Assembly

This redesigned product functions as a remote inside release and features a built-in lock lever and improved zinc die cast bezel for durability and ease of installation. It is also available in non-locking and power locking versions.



- Remote interior release and locking applications for on or off-highway
- Light to medium duty recommended
- Use with TriMark latch/logic mechanisms

FEATURES/BENEFITS:

- Offers modern automotive styling
- Built-in lock lever for added security
- Remote mounting provides versatility and flexibility

AVAILABLE:

- Right or left hand configurations (right hand shown)
- Cutout for power door lock
- Non-locking bezel also available
- As a complete assembly or separate components for application flexibility

MATERIAL/FINISH:

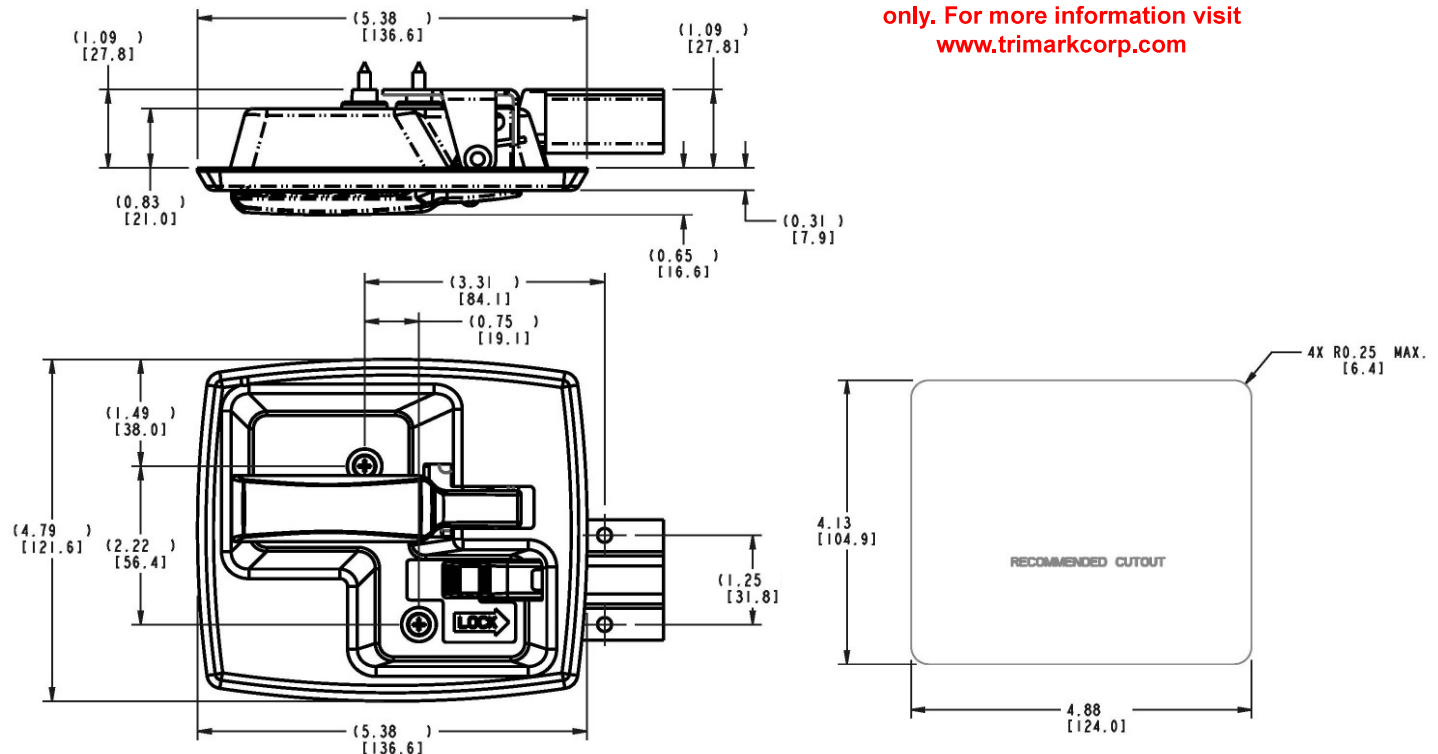
- Bezel and release lever: Die cast zinc alloy
- Lock lever: Engineered plastic
- Stamped steel mounting brackets

INSTALLATION:

- Fasteners supplied for mounting inside bezel

U.S. Design Patent No. D598,729 / D588,895

Note that this 030-1425 Paddle Handle complies with FMVSS 206 (ECE R11) when tested accordance with SAE J839 and that this product meets FMVSS 206 (ECE R11) locking requirements and may be used in FMVSS 206 (ECE R11) applications pending TriMark application approval. Please refer to page 158 for the complete FMVSS 206 (ECE R11) statement.



Handles:

Paddle
78

030-1450 Two Point Paddle Handle

This flush mounted paddle is a redesign of our 030-0450 paddle handle for compartment doors and entrance doors on RV and specialty vehicles. Containing the same proven mechanical details as previous with a modernized look, it can be used in FMVSS 206 (ECE R11) applications, is power lockable and features two point remote pivot plate and lock cam actuation.



FEATURES/BENEFITS:

- Offers updated styling
- Paddle is rigid when locked
- Inside lock detail provides for multiple connection points for use of inside lock and/or powerlock actuation
- Molded rubber gasket for flange of housing provides resistance to water and dust infiltration



AVAILABLE:

- Lock can be keyed to match other TriMark door products with KeyOne™ Plus for a single-key system, keyed alike or provided non-locking
- Several two point pivot plate options are available to suit a wide variety of applications

INSTALLATION:

- Handle is easy to install with single 1/4-20 UNC nut and supplied mounting bracket (mounting torque not to exceed 30 in-lbs (3.39N-m))
- Either handed version can be installed in a wide range of locations in either horizontal or vertical orientations (left hand shown)
- Retrofits with most 030-0450 flush paddle handles

FINISH:

- Standard black powder coated, buffed copper-nickel-nickel-chrome plated or combination black powder coated housing and buffed chrome paddle

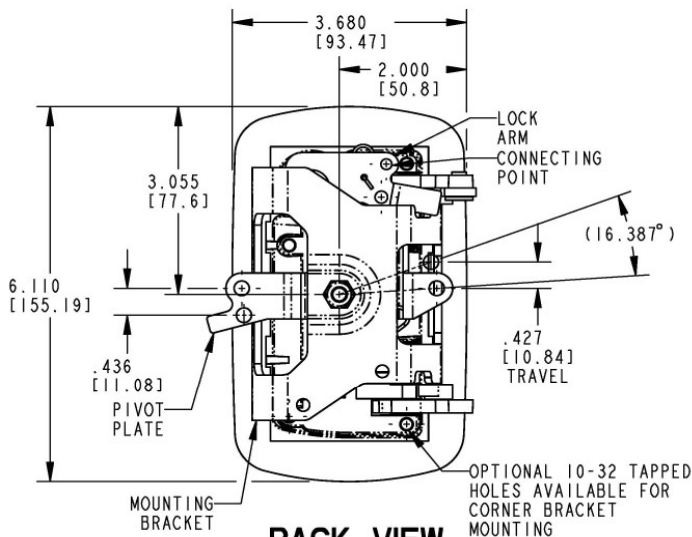
MATERIAL:

- Sturdy zinc die cast alloy housing and paddle
- Steel components: Zinc plated, mild steel

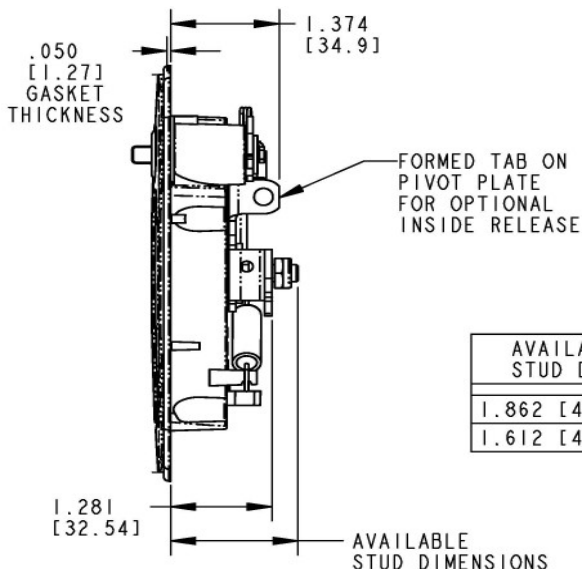
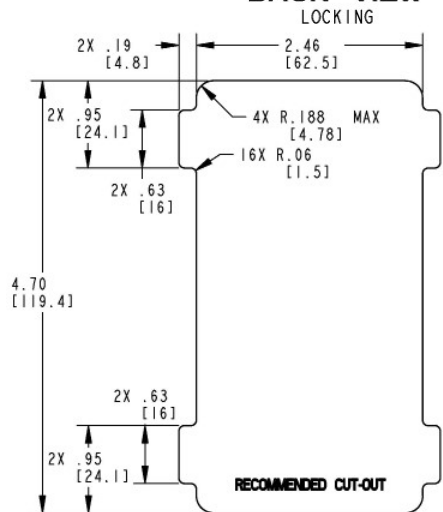
U.S. Design Patent No. D537,701

Note that this 030-1450 2-Point Paddle Handle complies with FMVSS 206 (ECE R11) when tested accordance with SAE J839 and that this product meets FMVSS 206 (ECE R11) locking requirements and may be used in FMVSS 206 (ECE R11) applications pending TriMark application approval. Please refer to page 158 for the complete FMVSS 206 (ECE R11) statement.

All dimensions are for reference only. For more information visit www.trimarkcorp.com



BACK VIEW



AVAILABLE STUD DIM.
1.862 [47.29]
1.612 [40.94]

Handles:
Paddle
79

030-1850 Flush Mounted Paddle Handle-Rigid Locking

This flush mounted paddle handle with rigid locking paddle is a redesign of our popular 030-0850 Flush Mounted Paddle Handle. With a modernized look, it can be used in FMVSS 206 (ECE R11) applications, is power lockable and features a four point pivot plate and lock cam actuation.

- Medium to heavy duty on-highway vehicle entrance doors
- Off-highway applications - construction, mining, forestry and agricultural
- On-highway - emergency vehicles

FEATURES/BENEFITS:

- Automotive styling preferred by customers in the ambulance and fire truck market
- Multiple connection points for use on inside lock and power lock actuation
- Easy installation - do not have to maneuver large pivot plate through cut-out in the door
- Molded rubber housing gasket and o-rings on the axle for better water infiltration resistance
- Non-slip tape added for secure opening of the door

AVAILABLE:

- Left and right hand configurations available
- Includes gasket for flange of housing to provide resistance to water and dirt infiltration
- Handle can be keyed to match other TriMark door product with KeyOne™ Plus for a single-key system, keyed alike or provided non-locking
- Customized bezel/trim for unique look for customers with the request of an added logo
 - ◊ Bezel kits sold separately
- Optional pivot plates (please inquire)



All dimensions are for reference only. For more information visit www.trimarkcorp.com



MATERIAL:

- Paddle and housing: Sturdy die cast zinc alloy
- Pivot components: Heat-treated, mild steel for wear resistance
- Bushing for paddle axle and thrust washer for pivot plate: Nylon 6/6

FINISH:

- Available in a variety of finishes including black powder coated, high quality buffed CNNC chrome or a combination of black/chrome finish

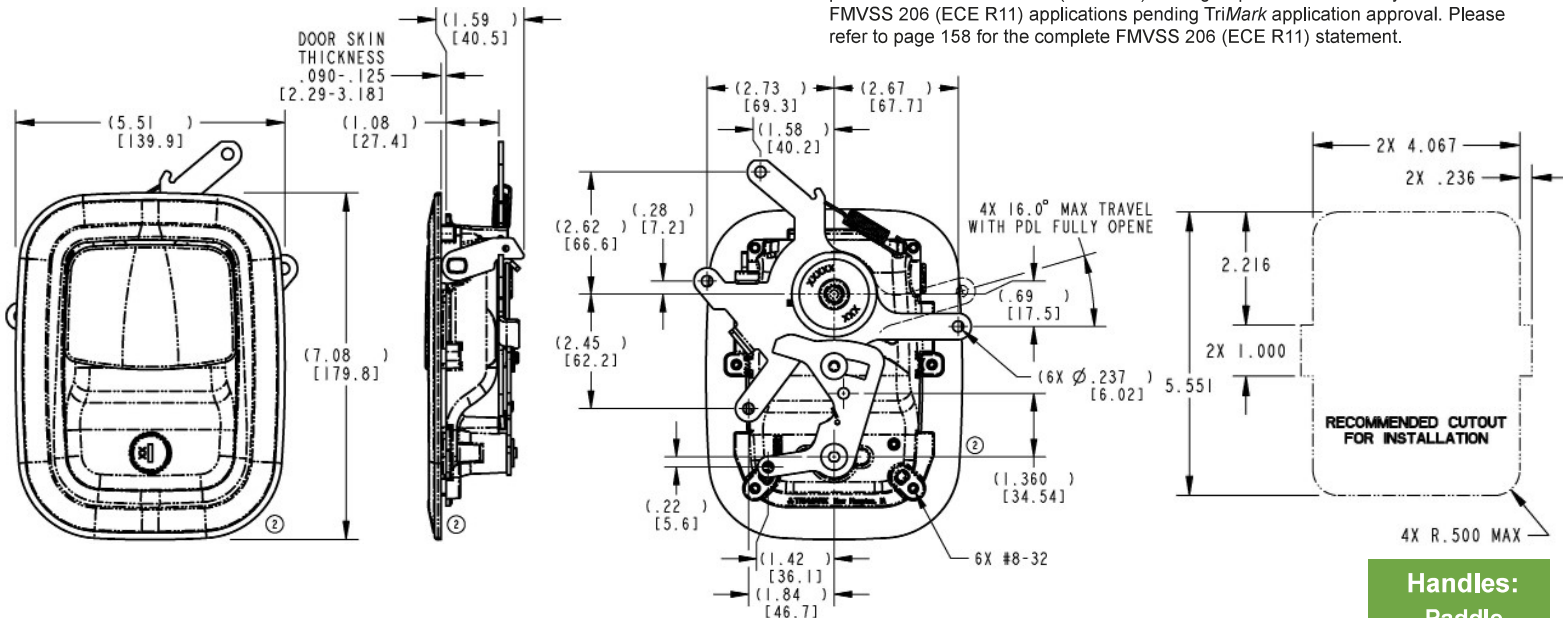
INSTALLATION:

- Design provides for easy installation without a mounting bracket with the use of (6) #8-32 fasteners
- Can be installed in a wide range of locations in door - either horizontal or vertical orientation (left hand shown)
- Installs into current 030-0850 cut-outs
- Door skin thickness - .083"-.127" (2.11mm-3.22mm)

U.S. Design Patent No. D694,087

U.S. Patent No. 10,024,085

Note that this 030-1850 Free-Float Flush Mounted Paddle Handle complies with FMVSS 206 (ECE R11) when tested accordance with SAE J839 and that this product meets FMVSS 206 (ECE R11) locking requirements and may be used in FMVSS 206 (ECE R11) applications pending TriMark application approval. Please refer to page 158 for the complete FMVSS 206 (ECE R11) statement.



030-1860 Flush Mounted Paddle Handle With Inside Lock Knob

This flush mounted paddle handle with inside lock knob is a redesign of our popular 030-0860 Flush Mounted Paddle Handle. With a modernized look, it can be used in FMVSS 206 (ECE R11) applications, is power lockable and features a four point pivot plate and lock cam actuation.

- Medium to heavy-duty on-highway vehicle entrance doors
- Off-highway applications - construction, mining, forestry and agricultural
- On-highway - emergency vehicles



FEATURES/BENEFITS:

- Automotive styling preferred by customers in the ambulance and fire truck market
- Multiple connection points for use on inside lock and power lock actuation
- Easy installation - do not have to maneuver large pivot plate through cut-out in the door
- Molded rubber housing gasket and o-rings on the axle for better water infiltration resistance
- Non-slip tape added for secure opening of the door

AVAILABLE:

- Left and right hand configurations available
- Includes gasket for flange of housing to provide resistance to water and dirt infiltration
- Customized bezel/trim for unique look for customers with the request of an added logo
 - ◊ Bezel kits sold separately
- Optional pivot plates (please inquire)

MATERIAL:

- Paddle and housing: Sturdy die cast zinc alloy
- Pivot components: Heat-treated, mild steel for wear resistance
- Bushing for paddle axle and thrust washer for pivot plate: Nylon 6/6

FINISH:

- Available in a variety of finishes including black powder coated, high quality buffed CNNC chrome or a combination of black/chrome finish

INSTALLATION:

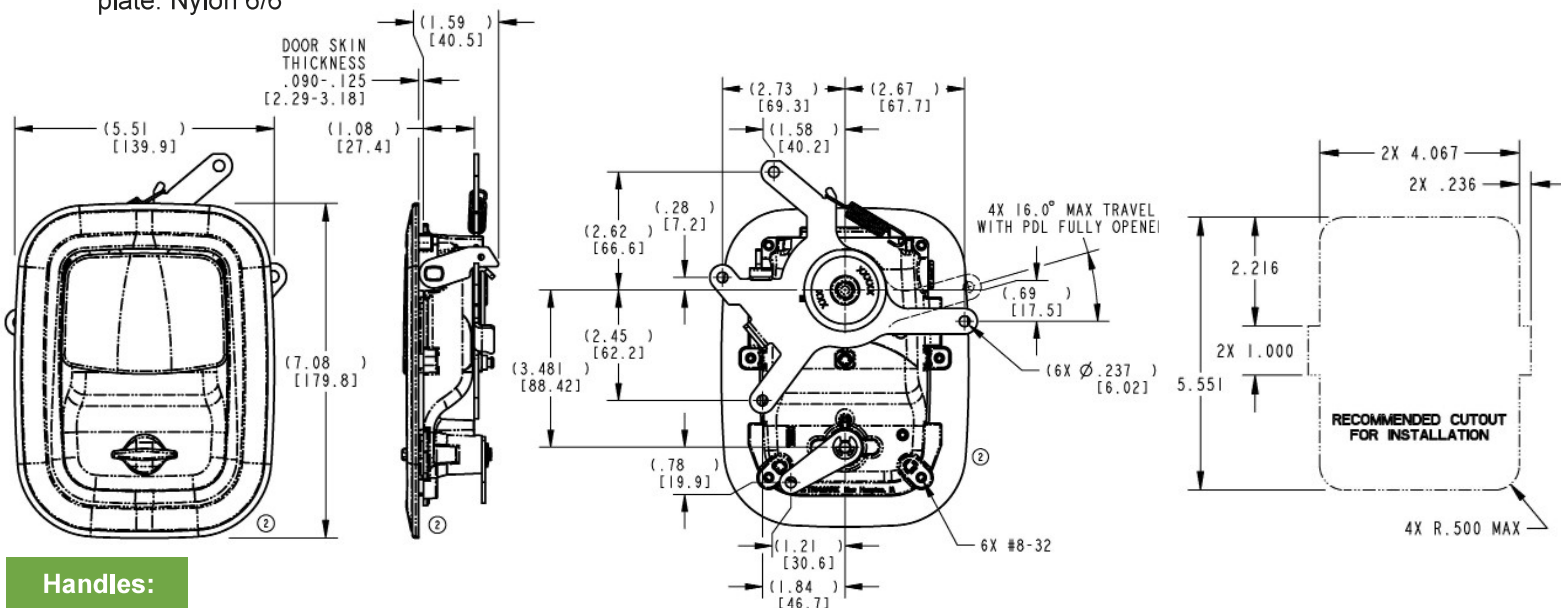
- Design provides for easy installation without a mounting bracket with the use of (6) #8-32 fasteners
- Can be installed in a wide range of locations in door - either horizontal or vertical orientation (left hand shown)
- Installs into current 030-0860 cut-outs
- Door skin thickness - .083"-.127" (2.1mm-3.22mm)

U.S. Design Patent No. D694,087

U.S. Patent No. 10,024,085

Note that this 030-1860 Flush Mounted Paddle/Handle With Inside Lock Knob complies with FMVSS 206 (ECE R11) when tested accordance with SAE J839 and that this product meets FMVSS 206 (ECE R11) locking requirements and may be used in FMVSS 206 (ECE R11) applications pending TriMark application approval. Please refer to page 158 for the complete FMVSS 206 (ECE R11) statement.

All dimensions are for reference only. For more information visit www.trimarkcorp.com



Handles:

Paddle
82

030-1875 Flush Mount Paddle Handle With Free-Floating Paddle

This flush mounted paddle handle with free-floating paddle (when locked) is a redesign of our popular 030-0875 Flush Mounted Paddle Handle. Containing an update to the mechanical design and with a modernized look, it can be used in FMVSS 206 (ECE R11) applications, is power lockable and features same four point pivot plate and lock cam actuation.

- Medium to heavy-duty on-highway vehicle entrance doors where free-floating handle is preferred
- Off-highway applications - construction, mining, forestry and agricultural
- On-highway--emergency vehicles

FEATURES/BENEFITS:

- Automotive styling preferred by customers in the ambulance and fire truck market
- Multiple connection points for use on inside lock and power lock actuation
- Easy installation - do not have to maneuver large pivot plate through cut-out in the door
- Molded rubber gasket and o-rings on the axle for better water infiltration resistance
- Non-slip tape added for secure opening of the door

AVAILABLE:

- Left and right hand configurations available
- Includes gasket for flange of housing to provide resistance to water and dirt infiltration
- Handle can be keyed to match other TriMark door product with KeyOne™ Plus for a single-key system, keyed alike or provided non-locking
- Customized bezel/trim for unique look for customers with the request of an added logo
 - ◊ Bezel kits sold separately
- Optional pivot plates (please inquire)



All dimensions are for reference only. For more information visit www.trimarkcorp.com



MATERIAL:

- Paddle and housing: Sturdy die cast zinc alloy
- Pivot components: Heat-treated mild steel for wear resistance
- Bushing for paddle axle and thrust washer for pivot plate: Nylon 6/6

FINISH:

- Available in a variety of finishes including black powder coated, high quality buffed CNC chrome or a combination of black/chrome finish

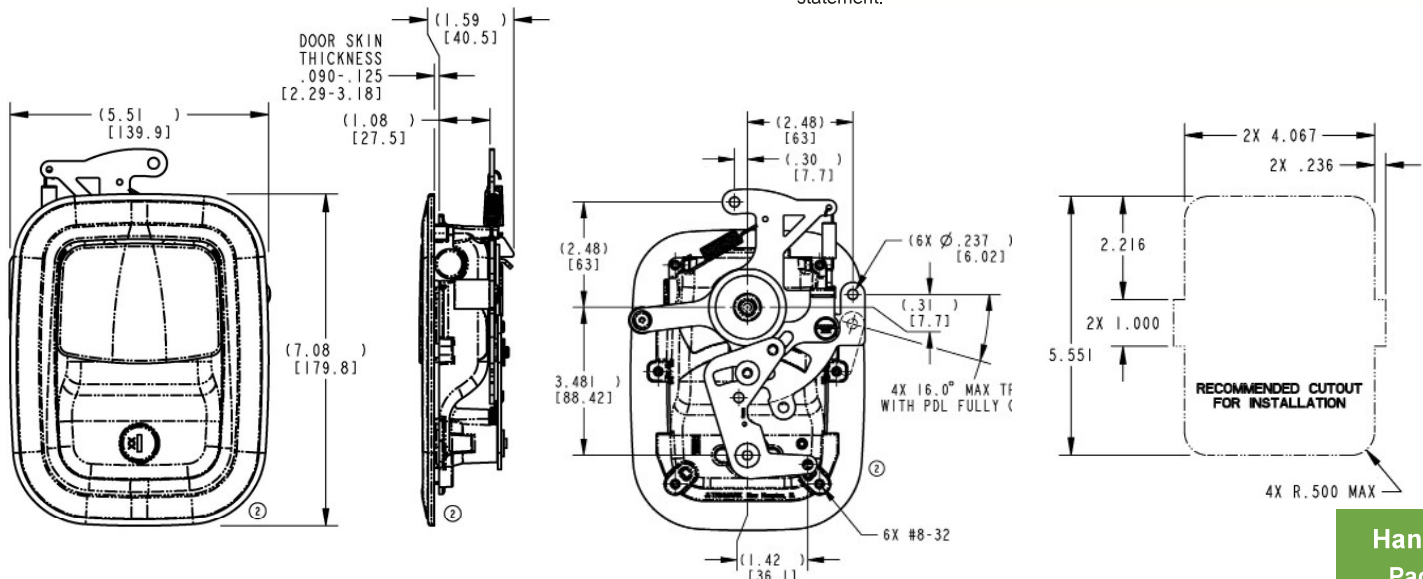
INSTALLATION:

- Design provides for easy installation without a mounting bracket with the use of (6) #8-32 fasteners
- Can be installed in a wide range of locations in door - either horizontal or vertical orientation (left hand shown)
- Installs into current 030-0875 cut-outs
- Door skin thickness - .083"-.127" (2.11mm-3.22mm)

U.S. Design Patent No. D694,087

U.S. Patent No. 8,881,564 / 10,024,085

Note that this 030-1875 Flush Mounted Paddle Handle With Free-Floating Paddle complies with FMVSS 206 (ECE R11) when tested in accordance with SAE J839 and that this product meets FMVSS 206 (ECE R11) locking requirements and may be used in FMVSS 206 (ECE R11) applications pending TriMark application approval. Please refer to page 158 for the complete FMVSS 206 (ECE R11) statement.



030-2000 Two Point Free Float Baggage Lock

Designed for recreational vehicle baggage doors, this product is available in black or copper-nickel-chrome plated finish and features a two point bellcrank for remote actuation and is power lockable.

- Two point assembly ideally suited to fit 1.25" (31.8mm) and thicker foam core doors with linkage release efforts up to 7 lbs. (3.2 kg) per linkage rod

FEATURES/BENEFITS:

- Foam gasket on flange of housing provides resistance to water infiltration
- Paddle free-floats when locked
- Modern automotive styling
- Adaptable to powerlock actuation
- Paddle can be locked before door is shut
- Large handle provides comfortable finger access and greater ease of operation (ergonomics)

AVAILABLE:

- Handle can be keyed to match other TriMark RV door products with KeyOne™ Plus for a single-key system, keyed alike or provided non-locking
- Linkage rods available for your specific applications
- In right or left hand configurations (right hand shown)



MATERIAL:

- Sturdy zinc die cast alloy paddle and housing
- All steel parts (axles, pivot arm, pivot plate, lock cam): cold rolled steel with zinc plate clear chromate for corrosion resistance
- Actuator: Engineered plastic

FINISH:

- Supplied black powder coated, this product can easily be painted over to match body colors
- Also available copper-nickel chrome plated

INSTALLATION:

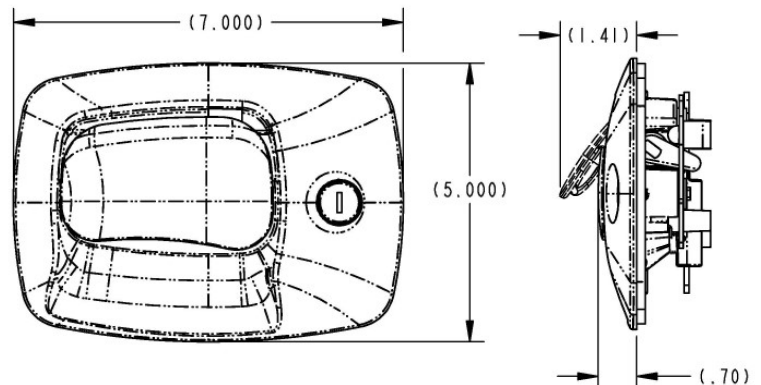
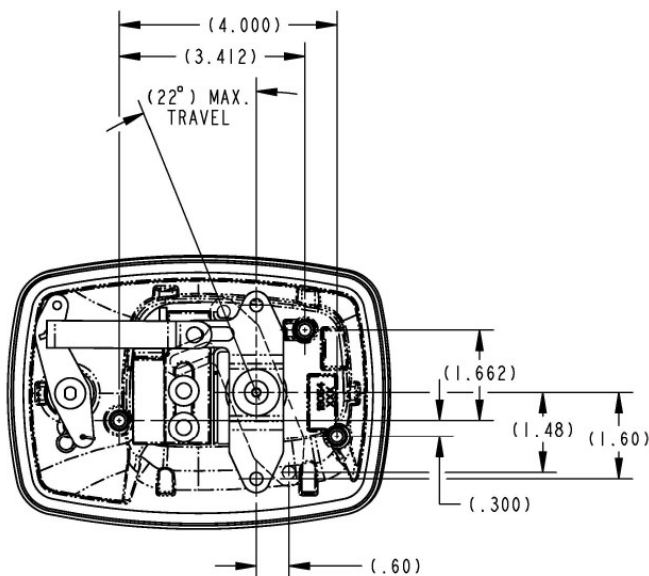
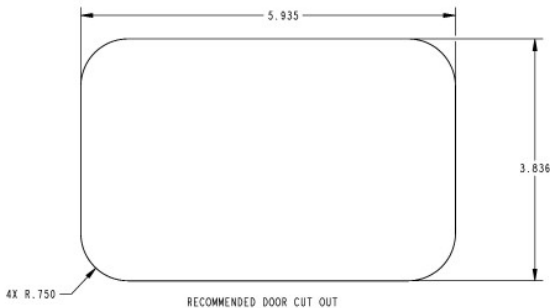
- Easy drop-in installation
- Supplied with gasket already applied under recess in housing flange for simple, clean installation
- Mounts with (3) 1/4-20 UNC thread forming screws (not supplied)
- Optional mounting bracket and rod designed for easy installation of power actuation
- Either handed version can be installed in a wide range of locations in door—horizontal or vertical orientation

U.S. Patent No. 6,708,537

U.S. Design Patent No. D496,576

Caution: Product does not meet the locking requirements for FMVSS 206 (ECE R11).

All dimensions are for reference only. For more information visit www.trimarkcorp.com



Handles:

Paddle

84

030-2300 Wedge Paddle Handle

This flush mounted paddle handle is designed specifically for medium to heavy-duty off-highway vehicle entrance doors that require remote actuation. It retrofits similar excavator paddle handles and offers robust construction for a very cost effective price.

FEATURES/BENEFITS:

- Off-highway construction equipment applications
- Doors requiring latch location remote from actuating handle
- Door thickness of 55mm or greater
- Comfortable finger access
- Adaptable for power door lock actuation
- Molded gasket for flange of housing provides resistance to water infiltration



AVAILABLE:

- Lock can be keyed to match other TriMark door products with KeyOne™ Plus for a single-key system, keyed alike or provided non-locking
- Choice of locking functions; locked rigid within the paddle or remote free-float locking to connect with latch/linkage



INSTALLATION:

- Easy to install with (3) M6 mounting screws (not included)
- Recommended mounting torque 3.4 N-m

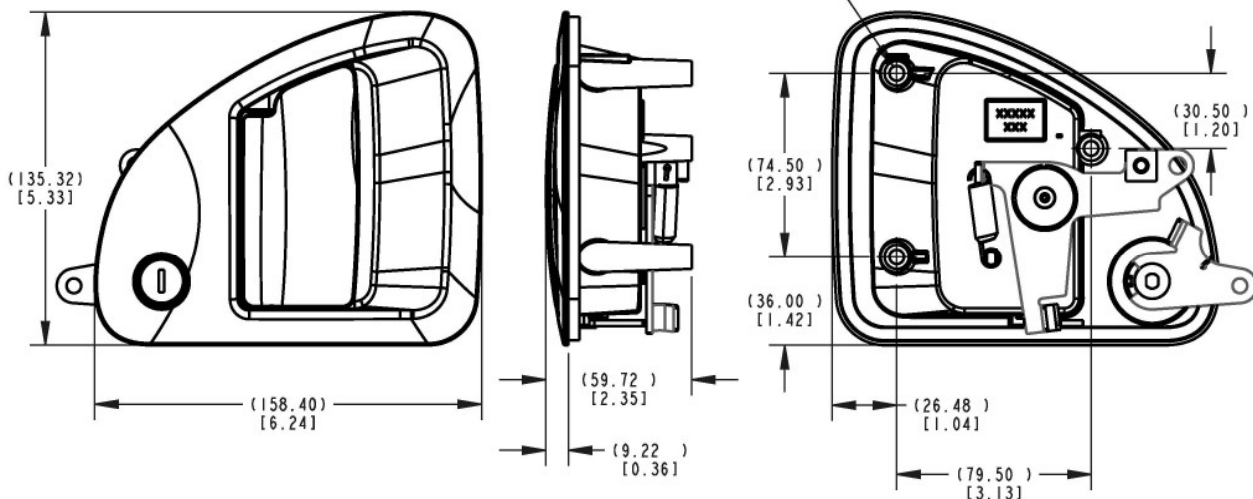
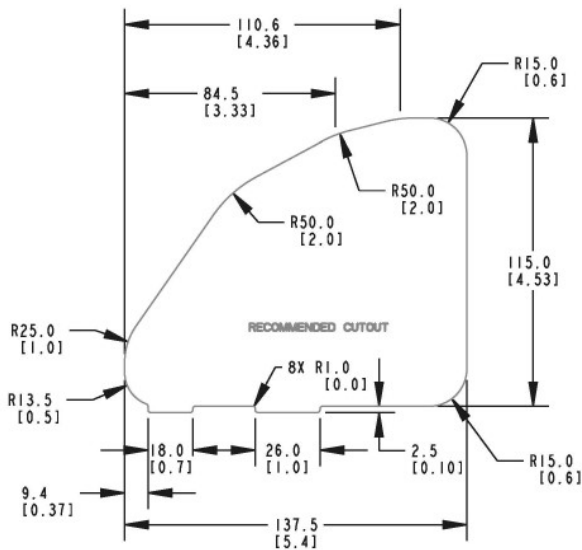
MATERIAL:

- Sturdy die cast zinc alloy paddle and housing
- Pivot plate, lock cam and paddle axle: Mild steel

FINISH:

- Black powder coated housing and paddle
- Zinc plated clear chromate steel components

Caution: Product does not meet the locking requirements for FMVSS 206 (ECE R11) (free-float version).

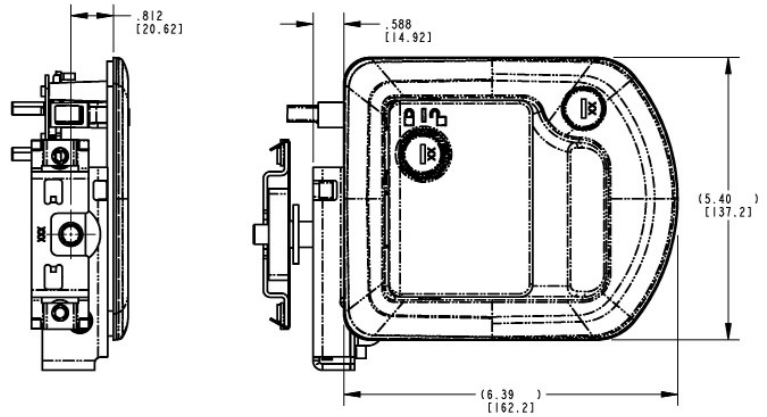


All dimensions are for reference only. For more information visit www.trimarkcorp.com

030-2650 Motor Home Entrance Door Hardware - Rotary

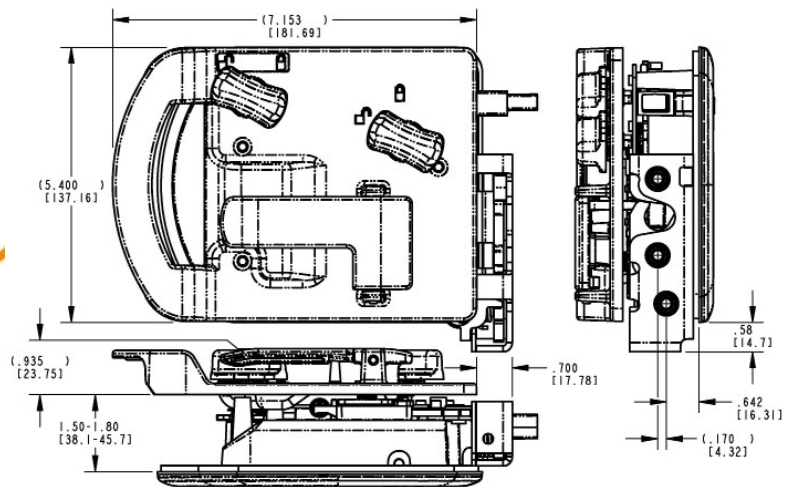
Designed for motor home and fifth wheel trailer entrance doors, this new product is a redesign of our 030-1000/030-1050 Motor Home Entrance Door Hardware. It features easy installation through sandwich mounting, a reliable direct release rotary latch which is compliant to FMVSS 206 (ECE R11), a built-in deadbolt for additional security and is power lockable.

- Motor home entrance doors with thickness of 1.390" (35.3mm) to 1.78" (45.2mm) (Different inside plates are required to facilitate range of door thicknesses. Please identify when inquiring.)
- Fifth-wheel trailers, pull-type trailers and slide-in campers
- Door seal pressures of 40 lbs. or less for ease of function and maximum life
- Right hand applications
- Door requiring resistance to water and dirt infiltration
- Use with TriMark 070-0100 Striker Bolt



FEATURES/BENEFITS:

- Inside release is low profile .940" (23.9mm) to allow for close-fitting screen doors
- Paddle can be locked before door is shut
- Paddle is rigid when locked
- Automotive styling
- Comfortable finger access
- Inside assist with open bail for easy closing
- Can be keyed to match other TriMark door products with KeyOne™ Plus for a single key system, keyed alike or provided non-locking
- Built-in deadbolt eliminates the need for add-on residential type deadbolt (deadbolt option)
- Deadbolt locks into the fully extended position for true deadbolt functioning (deadbolt option)
- Ability to be used with power actuation for locking (deadbolt option)
- Deadbolt cylinder non-removable when locked for added security



All dimensions are for reference only. For more information visit www.trimarkcorp.com

030-2650 continued

AVAILABLE:

- With optional built-in deadbolt
- Master keyed paddle key cylinder
- Without key cylinders for matching entire vehicle cylinders after installation

MATERIAL:

- Housing, inside plates, handles, plunger bolt, deadbolt, locking components including lock knobs: Die cast zinc alloy

FINISH:

- Black powder coated
- Copper-nickel-chrome plated
- Other finishes available upon request

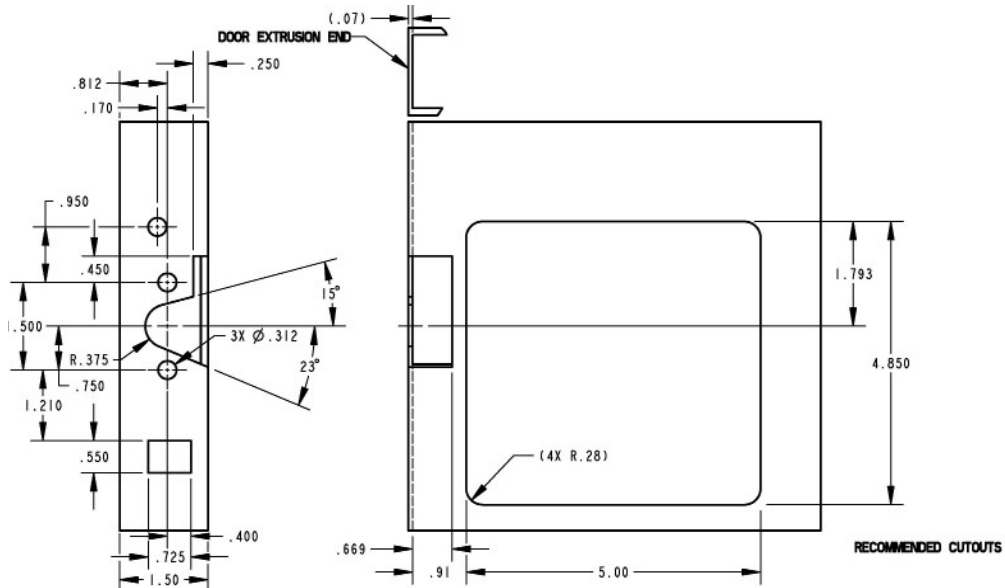
INSTALLATION

- (3) #10-24 mounting screws (not included). Recommended torque 10 in-lbs (1.1 N-m)
- Supplied with gaskets already installed
- Sandwich mount installation does not require any linkage rods
- Power actuators, power actuation mounting brackets and rods are available for optional power actuation of locks. Please inquire.

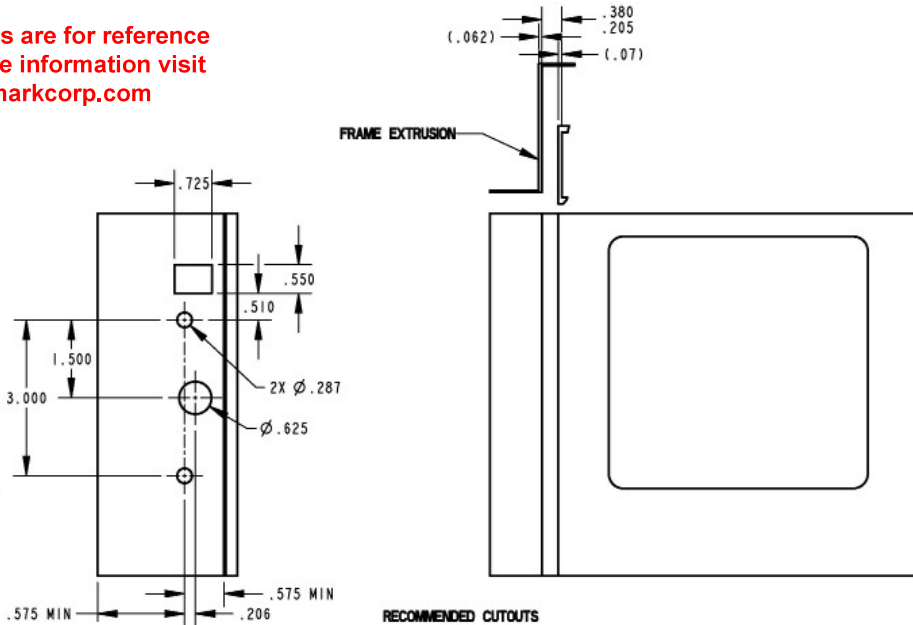
U.S. Design Patent No. D674,678 / D676,304

U.S. Patent No. 8,733,139

Note that this 030-2650 Motor Home Entrance Door Hardware System complies with FMVSS 206 (ECE R11) when tested accordance with SAE J839 and that this product meets FMVSS 206 (ECE R11) loads and locking requirements and may be used in FMVSS 206 (ECE R11) applications pending TriMark application approval. Please refer to page 158 for the complete FMVSS 206 (ECE R11) statement.



All dimensions are for reference only. For more information visit www.trimarkcorp.com



030-7100 Recessed Paddle Handle

Recessed zinc die cast paddle handle suitable for entrance doors. Robust design that provides long term durability and benefits from TriMark's KeyOne Plus lock system.

FEATURES/BENEFITS:

- Non-handed style can be used in various orientations
- With mounting gaskets
- KeyOne™ Plus allowing for single keying option with variety of key coding available
- Can be used with a wide variety of available interior latch mechanisms
- Accommodates door thickness from 25mm (.98") to 50mm (1.97")

AVAILABLE:

- Lock can be keyed to match other TriMark door products with KeyOne™ Plus for a single-key system, keyed alike or provided non-locking
- Several options are available to suit a wide variety of applications



MATERIAL:

- Sturdy zinc die cast alloy housing and paddle
- Actuator: Glass filled nylon or zinc die cast



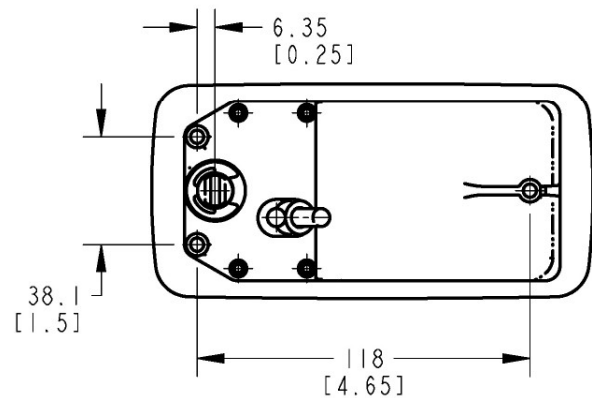
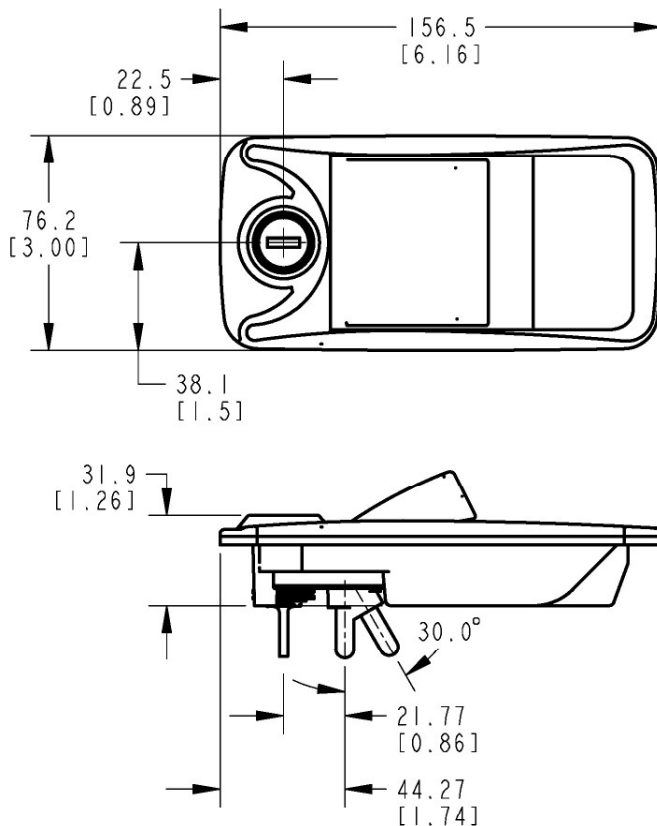
FINISH:

- Standard black or silver powder-coated. Other color options available upon request

INSTALLATION:

- Easy to install, (3) 5mm fixing screws available, not to exceed 6 N-m
- Various base plates available

Caution: Product does not meet the locking requirements for FMVSS 206 (ECE R11).



All dimensions are for reference only. For more information visit www.trimarkcorp.com

Handles:

Paddle
88

030-7300 Compact Recessed Paddle Handle

Compact recessed zinc die cast paddle handle suitable for entrance/compartment doors. Robust design that provides long term durability.

FEATURES/BENEFITS:

- Non-handed style
- With mounting gaskets
- A variety of key coding available
- Used with a variety of available interior plunger style latches
- Accommodates door thickness from 25mm (.98") to 50mm (1.97")

AVAILABLE:

- Several options are available to suit a variety of applications

MATERIAL:

- Sturdy zinc die cast alloy housing and paddle components

All dimensions are for reference only. For more information visit www.trimarkcorp.com



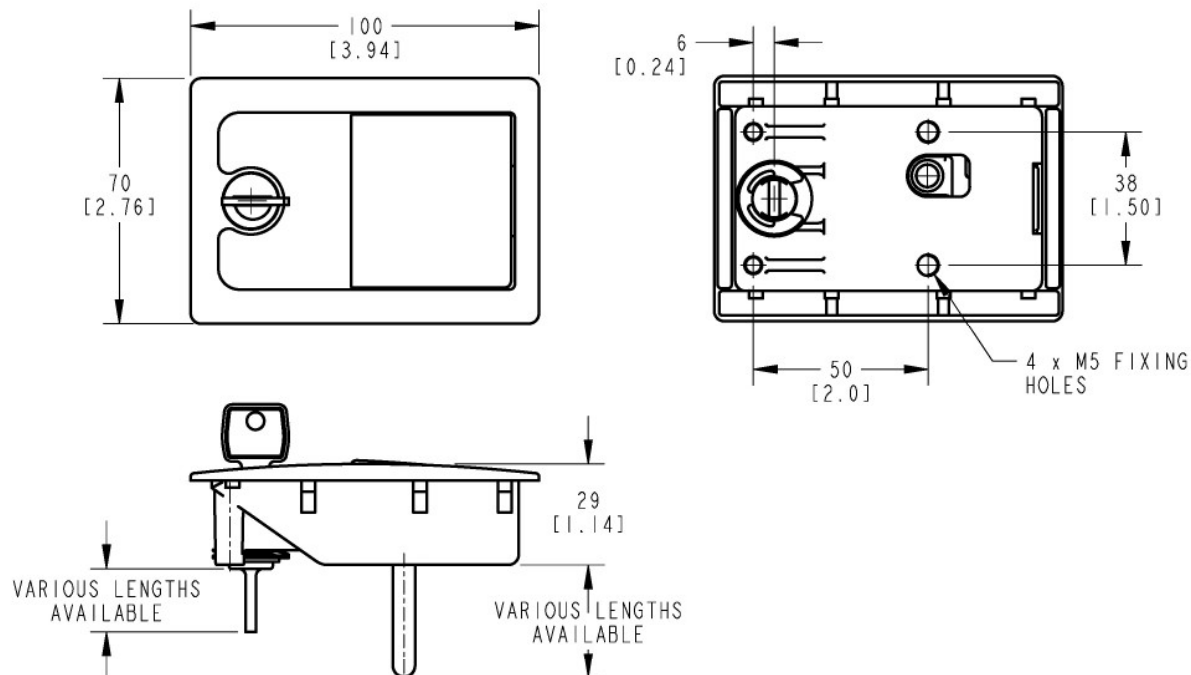
FINISH:

- Standard black or silver powder coated
- Other color options available upon request

INSTALLATION:

- Easy to install, (4) 5mm fixing screws, not to exceed 6 N-m
- Various base plates available

Caution: Product does not meet the locking requirements for FMVSS 206 (ECE R11).



060-0201 / 060-0251 Trailer Latch

This trailer latch was specifically designed for entrance, baggage and compartment doors for recreational vehicles including motor homes and travel trailers. It features a modern styled paddle and provides a single reversible key system with TriMark's KeyOne™ Plus system.

- All doors with thickness of 1-1/4" (31.8mm) to 1-1/2" (38.1mm) (other door thicknesses available - please inquire)
- Universal applications - either right or left handed

FEATURES/BENEFITS:

- Paddle can be locked before door is shut
- Paddle is rigid when locked
- Automotive styling
- Comfortable finger access
- Inside assist for easy door closing
- Water resistant
- Master keying is standard for paddle key cylinder

AVAILABLE:

- With optional built-in deadbolt (060-0251 Series)
- Reversible key for ease of operation
- With or without inside release (060-0201 Series)
- Reverse plunger for inward swinging doors (optional)
- Lock can be keyed to match other TriMark door products with KeyOne™ Plus for a single-key system, keyed alike or provided non-locking



MATERIAL:

- Major components: Die cast zinc alloy
- Strike plate (standard version): Die cast zinc alloy
- Strike plate (optional dead bolt version): Steel or non-corrosive stainless steel
- Non-metallic plunger



060-0201 Trailer Latch



060-0251 Trailer Latch With Deadbolt

FINISH:

- Black powder coated or white
- Copper-nickel chrome plated
- Strike plate (standard version): Black powder coating
- Strike plate (optional deadbolt version): Zinc plated

INSTALLATION:

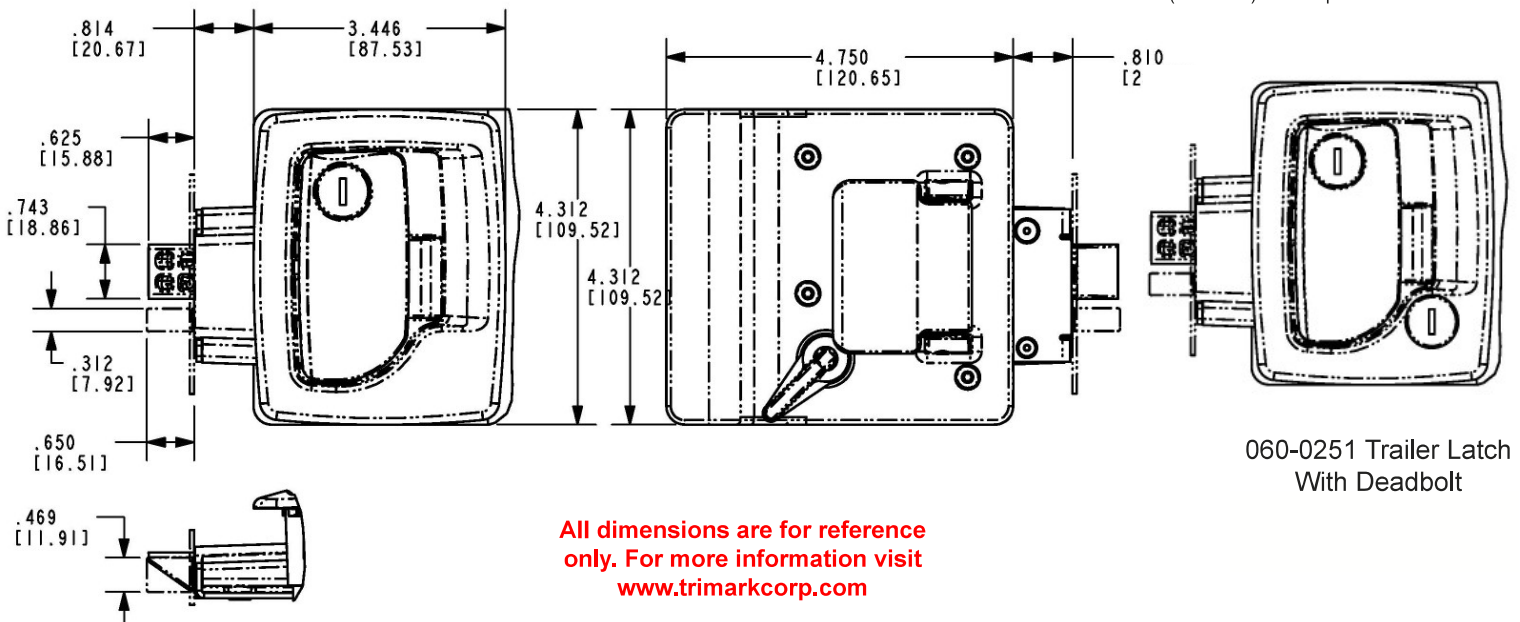
- Requires (4) #8-32 thread forming fasteners (available - please inquire)

060-0251 Series Dead Bolt Features

- Built-in deadbolt eliminates the need for an add-on residential type deadbolt
- Requires the same cut-out detail as the standard latch assembly (060-0200 / 060-0250 / 060-0201)
- Same fasteners may be used for all versions
- Deadbolt locks into the fully extended position for true deadbolt functioning
- Master keying is standard for paddle key cylinder

U.S. Patent No. 6,409,234 / 5,927,773

Caution: Latch does not meet FMVSS 206 (ECE R11) load requirements



060-0251 Trailer Latch With Deadbolt

All dimensions are for reference only. For more information visit www.trimarkcorp.com

Handles:

Paddle
90

060-0460 EZ Access Baggage Door Lock

This door lock was specifically designed for baggage and compartment doors for recreational vehicles including motor homes and travel trailers. It features a modern styled paddle and is available with multi-point functionality or as a single point.

FEATURES/BENEFITS:

- Offers lower operating efforts and a more forgiving assembly
- Ample finger clearance
- Paddle can be locked before the door is shut (slam action)
- Updated styling
- Improved plunger design
- Increased mechanical advantage to allow for lower operating efforts
- Available in single or three point actuation for latching versatility

AVAILABLE:

- Locking or non-locking
- Keyed alike
- Wide variety of mounting bracket options available for various applications
- Lock can be keyed to match other TriMark door products with KeyOne™ Plus for a single-key system, keyed alike or provided non-locking
- Multi-point actuation or single point
- Zinc or plastic plunger



FINISH:

- Paddle and housing: Powder coat in various colors
- Steel components: Zinc coat with clear chromate

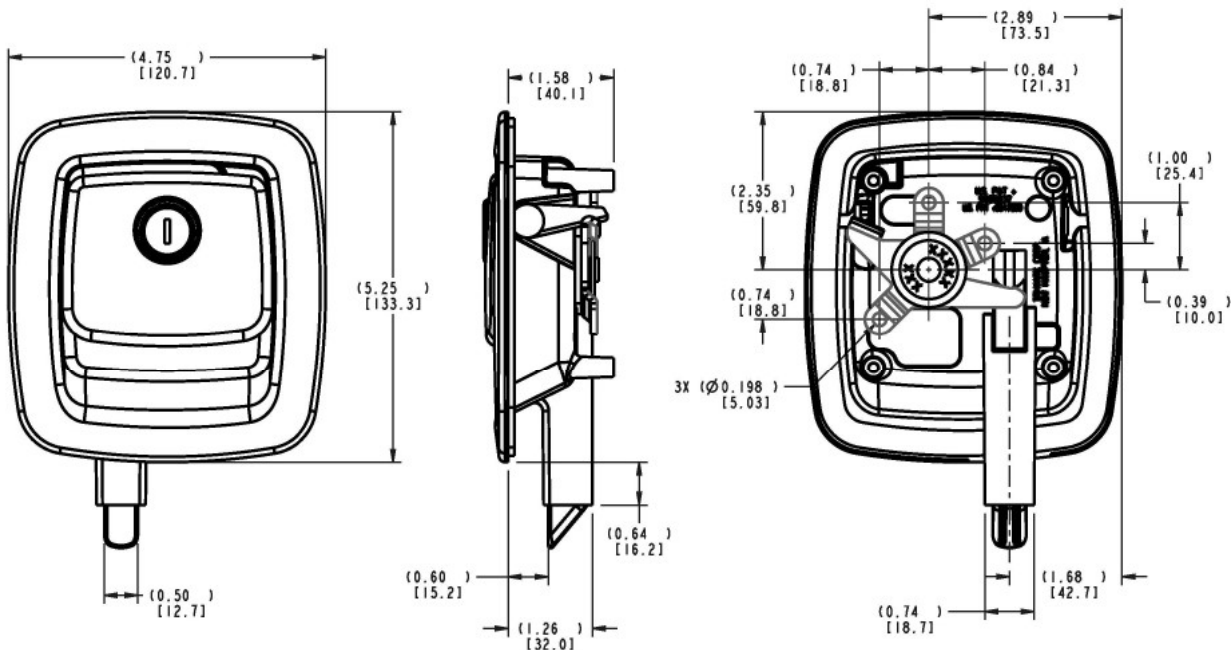
MATERIAL:

- Housing and paddle: Die cast zinc
- Pivot plate, axles, pivot arm: Steel
- Plunger bolt: Plastic or die cast zinc

INSTALLATION:

- Mounts with (4) #8-32 thread forming fasteners (not supplied)
- Supplied with gasket already applied under recess in housing flange for simple, clean installation

U.S. Patent No. 6,547,290



All dimensions are for reference only. For more information visit www.trimarkcorp.com

Handles:
Paddle
91

060-0475 Flush Baggage Door e-LOCK

This baggage door lock was specifically designed for baggage and compartment doors for recreational vehicles including motor homes and travel trailers. It features a modern styled paddle and offers the use of power door lock actuation. It is available with multi-point functionality or as a single point with either a zinc or plastic plunger.

FEATURES/BENEFITS:

- Offers modernized styling
- Allows the use of power door lock actuation
- Large handle provides comfortable finger access and greater ease of operation (ergonomics)
- Single point zinc or plastic plunger or multi-point functionality works with TriMark rotary or plunger latches in doors 1.187" (30.1mm) and thicker
- Multi-point handle can be mounted in vertical or horizontal orientations and is able to actuate latches at the sides and also the top and bottom of the door
- Paddle can be locked before the door is closed (slam action)

FINISH:

- Supplied painted in a low gloss black finish, the product can be easily painted over to match body colors
- Also available copper-nickel chrome plated

MATERIAL:

- Sturdy zinc die cast alloy housing, paddle and plunger
- All parts (axles, pivot arm, pivot plate, lock cam): Cold rolled steel with zinc plate, clear chromate for corrosion resistance
- Engineered plastic used for plunger bolt drive end and plunger bolt (when specified) has lower coefficient of friction, reducing closing and operating efforts



AVAILABLE:

- With or without plunger bolt for one or multi-point operation
- Single point version is available with a zinc or plastic plunger
- Handle can be keyed to match other TriMark RV door products with KeyOne™ Plus for a single-key system, keyed alike or provided non-locking
- Housing flange and internal gaskets provided for resistance to water and dirt infiltration
- Linkage rods available for your specific applications

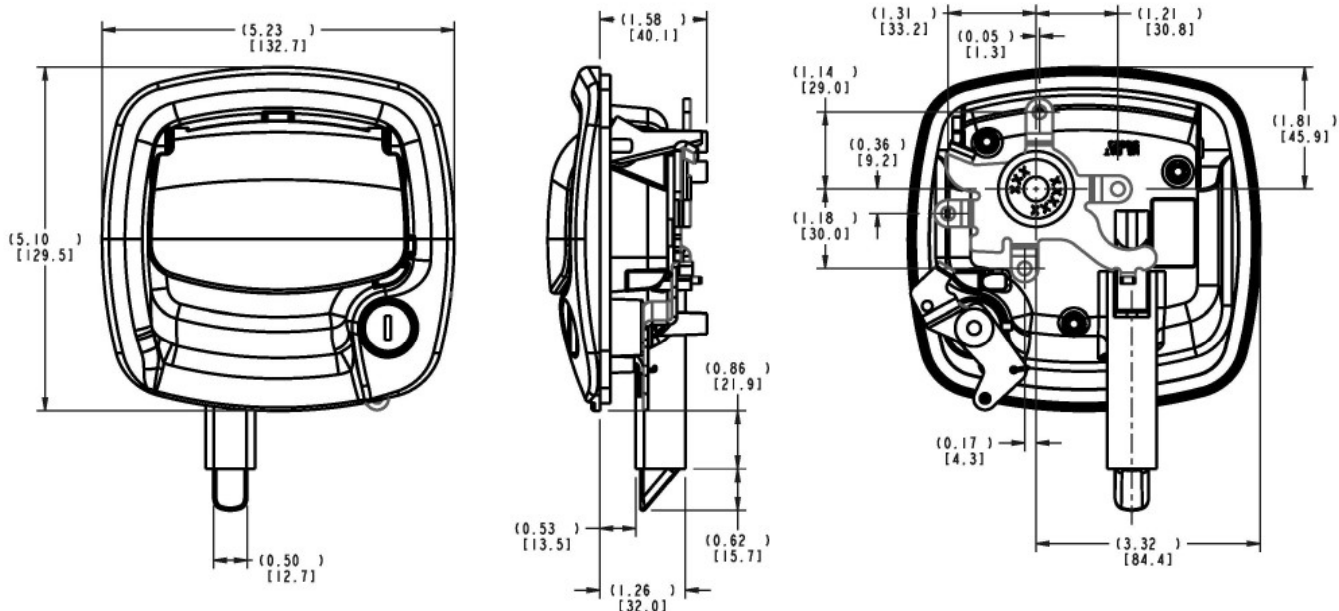


INSTALLATION:

- Handle is easy to install with (3) #8-32 thread forming fasteners (supplied separately)
- Optional mounting bracket and rod allows the power actuator to mount to the handle for ease of installation
- Supplied with gasket already applied under recess in housing flange for simple, clean installation

U.S. Patent No. 7,232,162

U.S. Design Patent No. D519,823



Handles:

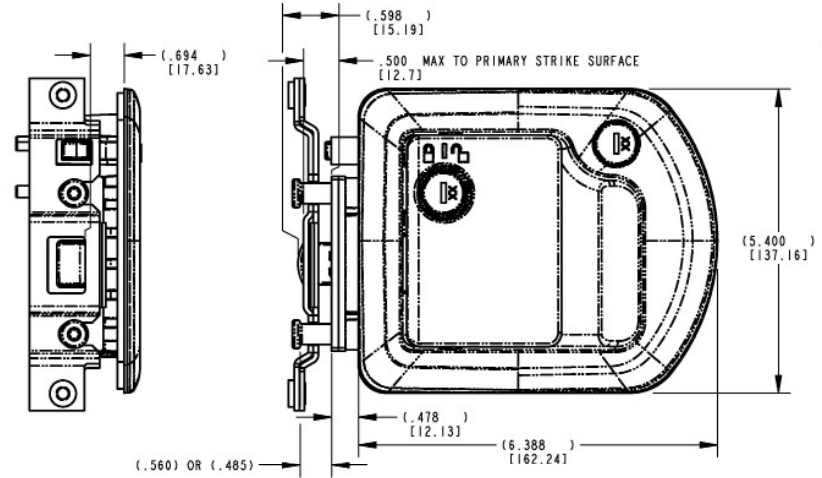
Paddle
92

All dimensions are for reference only. For more information visit www.trimarkcorp.com

060-1650 Motor Home Entrance Door Hardware

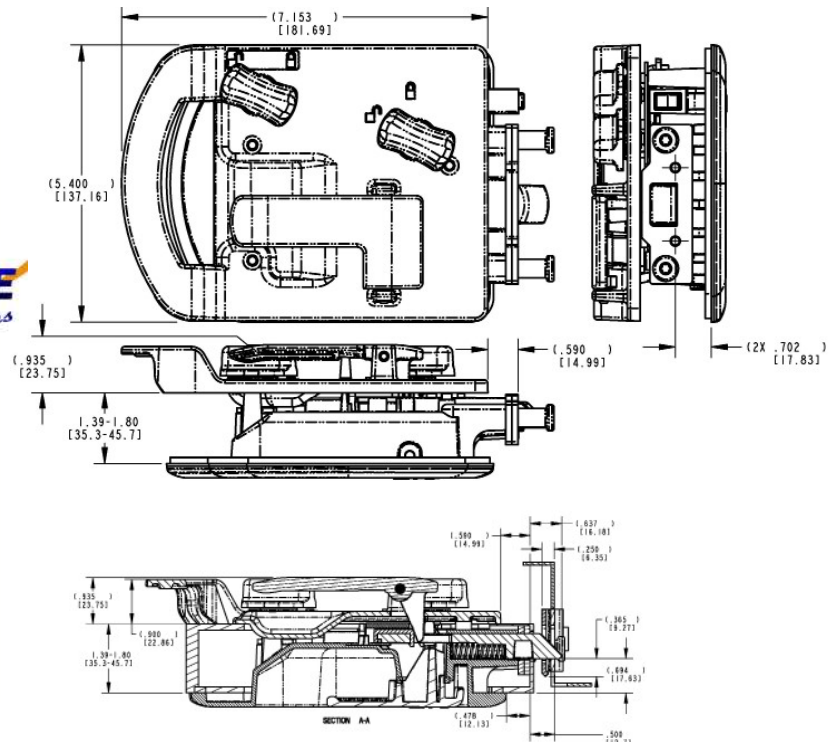
Designed for motor home and fifth wheel trailer entrance doors and is a redesign of our 060-0650 Motor Home Entrance Door Hardware. It features easy installation with through sandwich mounting, a low profile plunger style latch which is compliant to FMVSS 206, a built-in deadbolt for additional security and is power lockable.

- Motor home entrance doors with thickness ranging from 1.39" (35.3mm) to 1.78" (45.2mm)
- Different inside handle assemblies are required to facilitate the range of door thicknesses. Please identify when inquiring
- Fifth-wheel trailers, pull-type trailers, and slide-in campers
- Door requiring resistance to water and dirt infiltration
- Universal applications - either right or left-handed



FEATURES/BENEFITS:

- Inside release is low profile .940" (23.9mm) to allow for close fitting screen doors
- Paddle can be locked before door is shut
- Paddle is rigid when locked
- Automotive styling
- Comfortable finger access
- Inside assist with open bail for easy closing
- Can be keyed to match other TriMark door products with KeyOne™ Plus for a single-key system, keyed alike or provided non-locking
- Built-in deadbolt eliminates the need for add-on residential type deadbolt (deadbolt option)
- Deadbolt locks into the fully extended position for true deadbolt functioning (deadbolt option)
- Ability to be used with power actuation for locking
- Deadbolt cylinder non-removable when locked for added security
- Two different lengths of load pins available pre-assembled



All dimensions are for reference only. For more information visit www.trimarkcorp.com

100-7100 Caraloc Entrance Door Set

Designed as a complete external and internal system. Specifically designed for baggage and compartment doors for recreational vehicles including motor homes and travel trailer (caravan entry doors).

FEATURES/BENEFITS:

- Rotating actuation in a clockwise and counter-clockwise direction
- Low profile exterior
- With various configurations to accommodate door thickness (20mm to 36mm)

AVAILABLE:

- Provided without key cylinders for matching entire vehicle cylinders after installation
 - ◊ WD key codes (72 codes)
- 10mm or 12mm base plates that fit between the inside face of the door and interior latch can be supplied
- Supplied either left or right hand
 - ◊ Inside release rotate up to lock



MATERIAL:

- Glass filled nylon
- Zinc cast lock cylinder housing

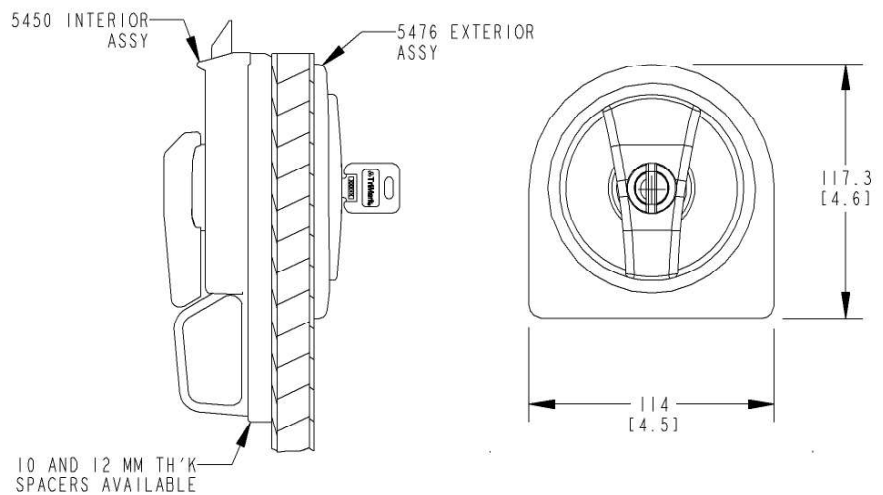
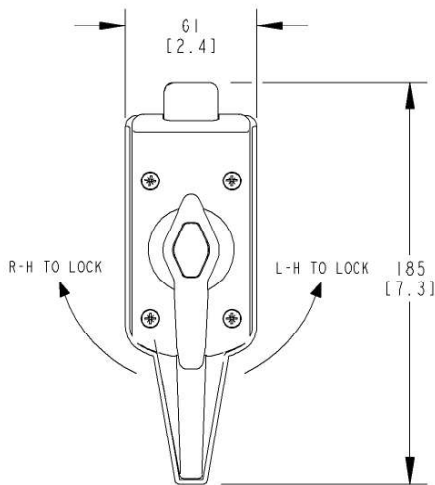
FINISH:

- Standard black

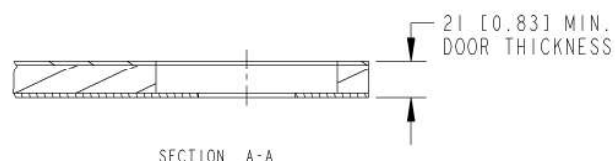
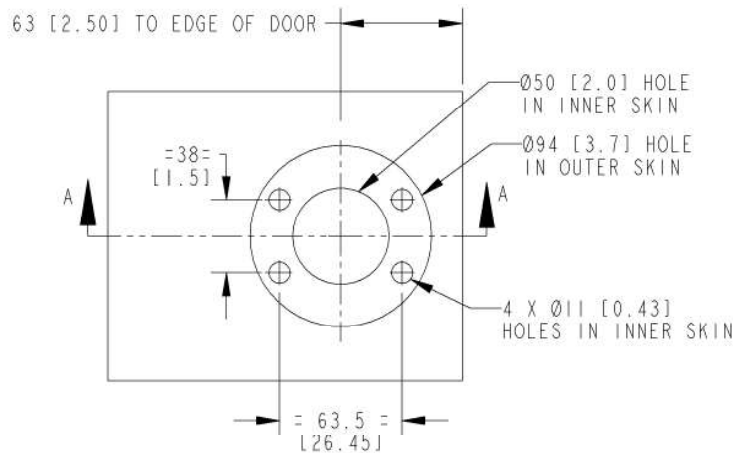
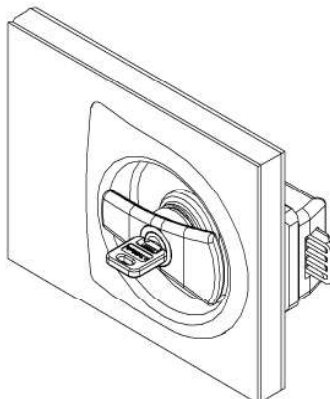
INSTALLATION:

- Easy to install using provided fixings and gasket
- Recommended mounting fastener torque to be 5.0 N-m (44 lbf-in) maximum

Caution: Product does not meet FMVSS 206 (ECE R11) load requirements.



All dimensions are for reference only. For more information visit www.trimarkcorp.com



Handles:
Paddle
95

020-0700 Flush Pull Handle - Free-Float

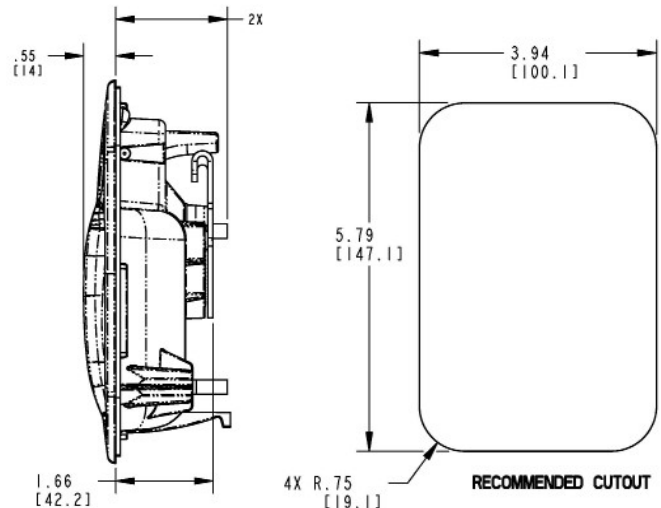
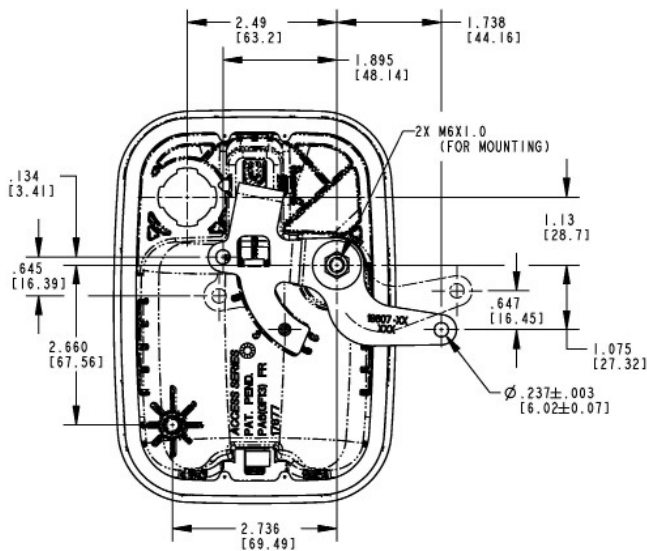
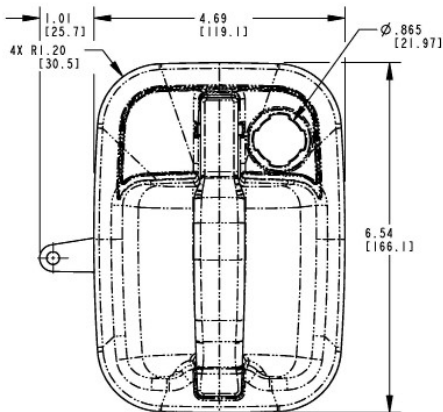
This pull handle was specifically designed for compartment and entrance doors for heavy truck, service truck, ambulance, fire/rescue and off-highway vehicles. It offers ergonomic function and styling, is adaptable for power door lock actuation and has a "free-floating" handle when locked.

- Class 7-8 trucks
- Utility bodies
- Off-highway vehicles (light duty)

FEATURES/BENEFITS:

- Ergonomic function and styling
- Can be keyed to match common ignition locks (not included - please inquire)
- Paddle is "free-floating" when locked and used with appropriate latch/linking with lock logic
- Adaptable for power door lock actuator
- Interior or exterior applications
- Housing flange and internal gaskets provided for resistance to water and dirt infiltration

All dimensions are for reference only. For more information visit www.trimarkcorp.com



AVAILABLE:

- Right and left hand configurations (right hand shown)
- Locking and non-locking

MATERIAL:

- Housing: Glass reinforced black nylon, brass threaded mounting studs
- Handle: Glass reinforced black nylon
- Pivot plate: Mild steel

FINISH:

- Black housing, black nylon handle
- Zinc plated clear chromate steel components

INSTALLATION:

- Easy mounting with (2) M6 nuts (not included)
- Recommended mounting fastener torque 30-40 in-lbs (3.3 - 4.4 N-m)
- Either horizontal or vertical orientation
- Non-handed standard mounting bracket (sold separately)

U.S. Patent No. 6,802,544 / 6,805,388

Note that this 020-0700 Flush Pull Handle complies with FMVSS 206 (ECE R11) when tested accordance with SAE J839 and that this product meets FMVSS 206 (ECE R11) locking requirements and may be used in FMVSS 206 (ECE R11) applications pending TriMark application approval. Please refer to page 158 for the complete FMVSS 206 (ECE R11) statement.

020-0750 Flush Mount Pull Handle-Locked Rigid

This flush mount pull handle was specifically designed for compartment and entrance doors for off-highway vehicles. It offers ergonomic function and styling, is adaptable for power door lock actuation and has a "locked-rigid" handle when locked. The design provides for ease of operation by keying alike with other TriMark products with the KeyOne™ Plus lock.



- Light to medium agricultural and construction personnel and compartment doors



FEATURES/BENEFITS:

- Ergonomic function and styling
- KeyOne™ Plus lock cylinder can be keyed alike with most single and reversible key systems
- Paddle is "locked rigid" when locked
- Adaptable for power door lock actuator
- Housing flange and internal gaskets provided for resistance to water and dirt infiltration

AVAILABLE:

- Right and left hand configuration
- Can be keyed alike with most single and reversible key systems
- Locking version

MATERIAL:

- Housing: Glass reinforced black nylon, brass threaded mounting studs
- Handle: Glass reinforced black nylon
- Pivot plate: Mild steel

FINISH:

- Black housing, black nylon handle
- Zinc plated clear chromate steel components

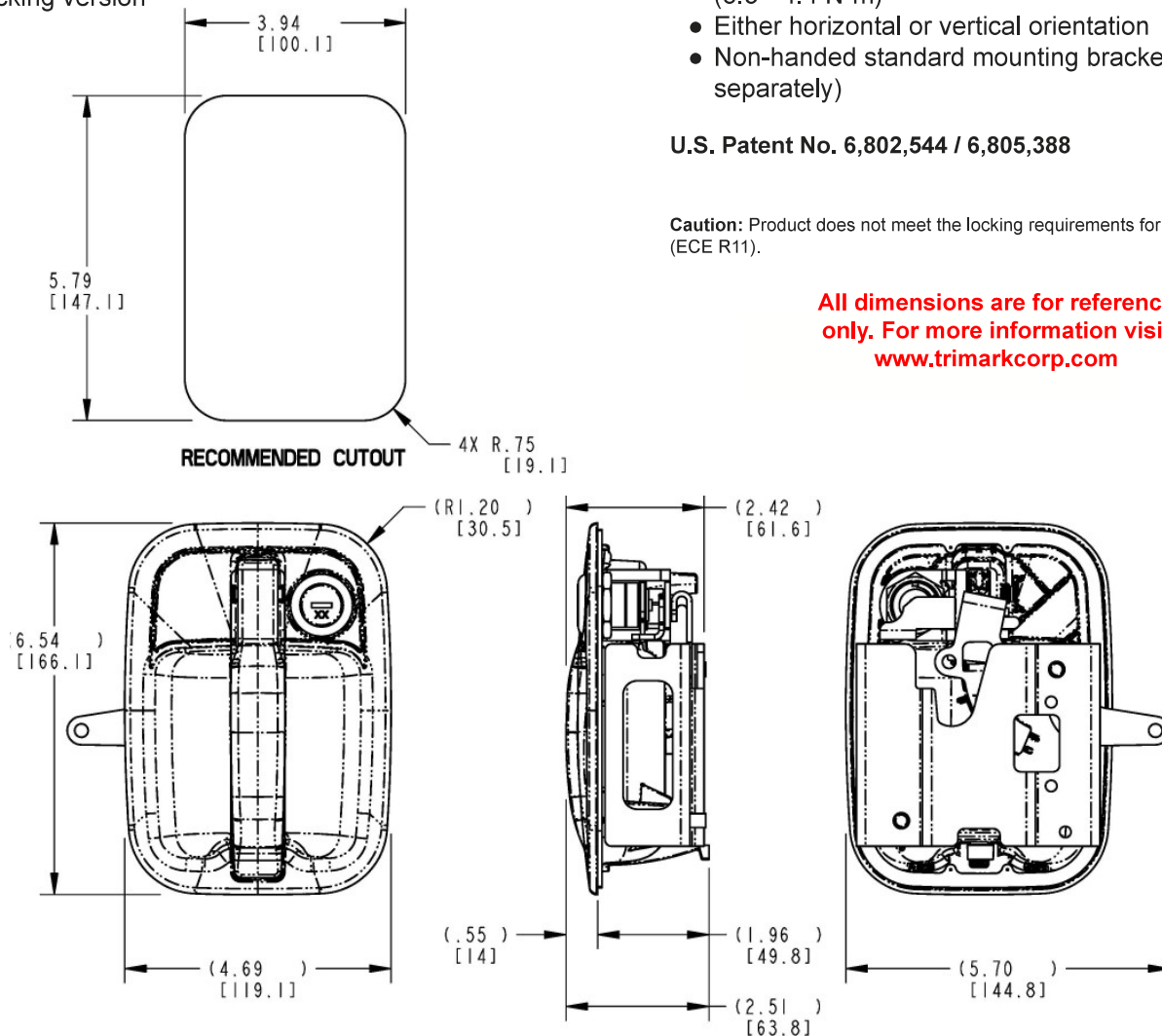
INSTALLATION:

- Easy mounting with (2) M6 nuts (not included)
- Recommended mounting fastener torque 30-40 in-lbs (3.3 - 4.4 N-m)
- Either horizontal or vertical orientation
- Non-handed standard mounting bracket (sold separately)

U.S. Patent No. 6,802,544 / 6,805,388

Caution: Product does not meet the locking requirements for FMVSS 206 (ECE R11).

All dimensions are for reference only. For more information visit www.trimarkcorp.com



Handles:
Pull Type
97

020-0800 Surface Mounted Pull Handle

Designed specifically for off-highway vehicle applications that require a surface mounted exterior handle. This product allows greater ease of operation (ergonomics) than conventional push button or paddle handles and offers robust construction and rugged styling for a very cost effective price in a new handle category.

- Medium to heavy weight doors for off-highway vehicle applications
- Doors with high door seal loads or applications where a surface mounted pull type handle is more desirable than a push button or paddle handle

FEATURES/BENEFITS:

- Full gloved hand clearance
- Exterior surface mount along with the configuration of the actuator allows for mounting in any orientation
- Provides for greater ease of operation (ergonomics) than conventional push button or paddle handles
- Readily adaptable to a variety of door thickness with adjustable connecting link assembly
- Handle is rigid when locked

MATERIAL:

- Handle: Glass reinforced nylon
- Threaded inserts: Brass

All dimensions are for reference only. For more information visit www.trimarkcorp.com



AVAILABLE:

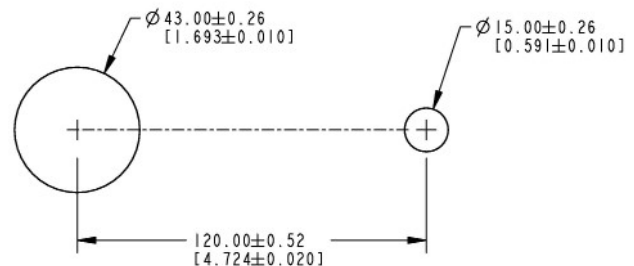
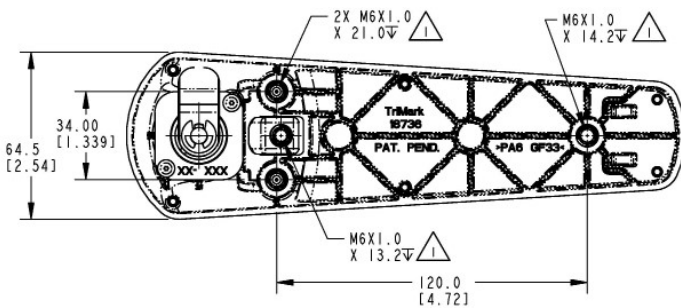
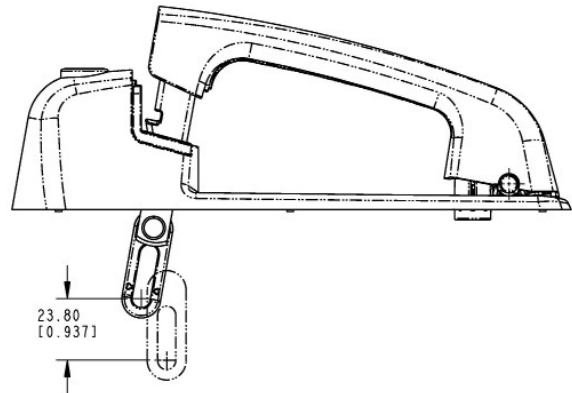
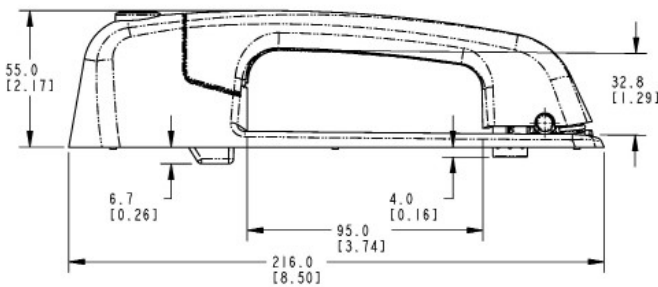
- Can be keyed alike with most single and reversible key systems
- With gaskets and spacers to facilitate mounting and provide resistance to water and dirt infiltration
- Connecting link assembly

INSTALLATION:

- Mounts against glass with only two holes or steel with conventional mounting (see recommended hole pattern)
- Installed with (3) M6 x 1.0 bolts (not included)
- Recommended mounting fastener torque to be 5.6-6.7 N-m (50-59 lbf-in)

U.S. Design Patent No. D506,377

Caution: Product does not meet the locking requirements for FMVSS 206 (ECE R11).



Recommended Glass Mounting Hole Pattern

020-0850 e-LOCK Pull Handle

TriMarks' 020-0850 e-LOCK Pull Handle for off-road applications allows power locking/unlocking via a switch, remote RF FOB or keypad. Based on the proven 020-0800, this robust pull handle brings a new automotive function and convenience to your cabs and enclosures.



- Medium to heavy-duty agricultural and construction personnel doors
- Off-highway vehicle applications that require a direct release surface mounted exterior pull handle

FEATURES/BENEFITS:

- Provides for greater ease of operation (ergonomics) than conventional push button or paddle handles; includes gas-assist molded handle
- Provides the ability to remotely lock the exterior pull handle
- Handle is rigid when locked
- KeyOne™ Plus lock cylinder can be keyed alike with most single and reversible key systems
- PTC overload to protect motor against excessive heating



AVAILABLE:

- With perimeter gasket and spacers to facilitate mounting and provide resistance to water and dirt infiltration
- Non-power locking version

MATERIAL:

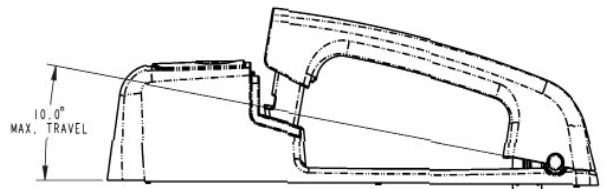
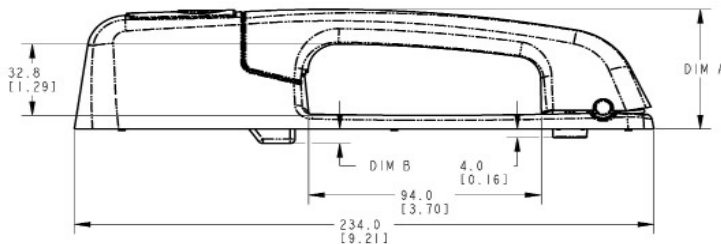
- Handle and base: Glass reinforced nylon
- Threaded inserts: Brass

INSTALLATION:

- Same mounting pattern as 020-0800 Pull Handle - mounts against glass with only two holes or steel with conventional mounting
- Installed with (3) M6 x 1.0 bolts (not included)
- Recommended mounting fastener torque to be 5.6-6.7 N-m (50-59 lbf-in)
- Wire length is 200mm
- Connector customization is available

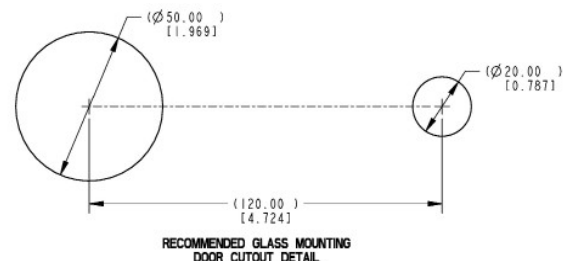
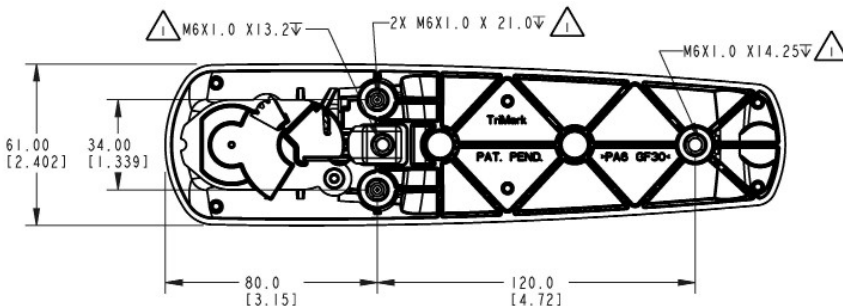
U.S. Patent No. 7,819,440

Caution: Product does not meet the locking requirements for FMVSS 206 (ECE R11).



BASE OPTION	DIM A	DIM B
STD (HEIGHT OPTION 1)	55.0 [2.17]	6.7 [0.26]
THICK (HEIGHT OPTION 2)	61.1 [2.41]	0.6 [0.02]

All dimensions are for reference only. For more information visit www.trimarkcorp.com



NOTES: UNLESS OTHERWISE SPECIFIED;

△ RECOMMENDED APPLICATION TORQUE TO BE 5.6-6.7 N-m [50-59 IN-LB].

Handles:
Pull Type
99

020-0870 Power Locking Pull Handle With Capacitive Sensor - PKE

The 020-0870 Power Locking Pull Handle with Capacitive Sensor for off-road applications, allows use with TriMark's Gen 3 e-ASK Passive Keyless Entry System featuring integrated capacitive sensor, PKE board and power lock/unlocking motor drive. Based on the proven 020-0850, this robust pull handle brings the latest automotive functionality and convenience to your cab enclosures.



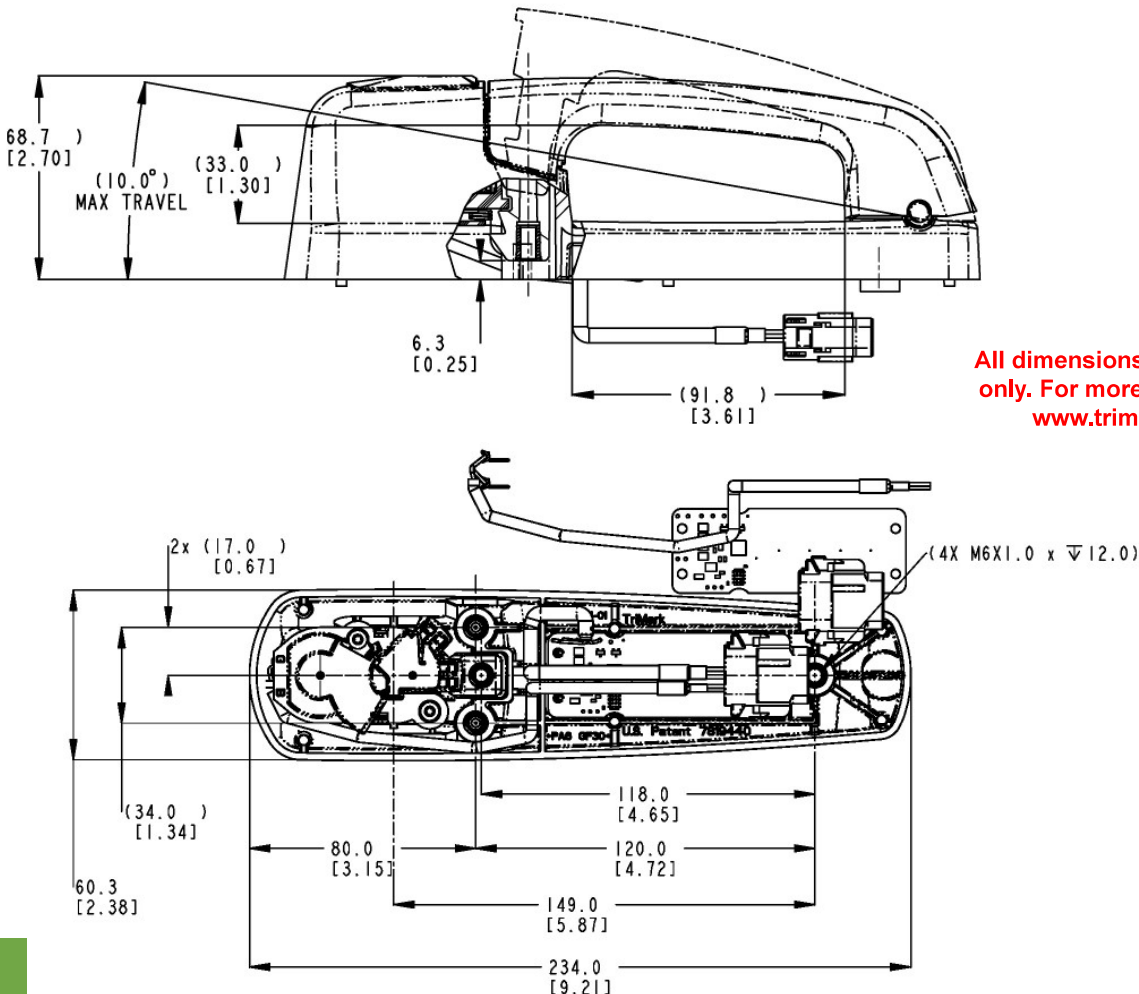
DESIGNED FOR:

- Medium to heavy-duty agricultural and construction personnel doors
- Off-highway vehicle applications that require a direct release surface mounted exterior pull handle and "state of the art" Passive Keyless Entry

FEATURES/BENEFITS:

- Extends the product range of TriMark's 020-0850 e-LOCK Pull Handle with an Integrated Capacitive Sensor and Passive Keyless Entry PCB board into the base. This minimizes footprint profile of handle to maximize visibility to the user.

- Passive Keyless Entry (PKE) provides for "hands free" unlocking
 - When the user's hand enters the field under the handle portion, the system wakes up
 - This activity energizes the exterior antenna. FOBs in range will respond with their serial numbers contained in a data packet sent via 433 MHz
 - If the FOBs respond with serial numbers that match an authorized list, the control module will pulse the unlock motor for ½ second to unlock the handle



All dimensions are for reference only. For more information visit www.trimarkcorp.com

Handles:
Pull Type
100

020-0870 continued

- Powerlock/unlock motor integrated into handle to reduce assembly and space needs of vehicle
- Maintains lock cylinder for mechanical override in case of power disruption
- TriMark KeyOne™ Plus for “One Key - One Vehicle” convenience
- Readily adaptable to a variety of door thickness with adjustable connecting linkage assembly
- PTC overload protects motor against excessive heating
- Best in class features, flexibility and performance all in one package allowing fewer system configurations



INSTALLATION:

- Same mounting pattern as 020-0800 and 020-0850 Pull Handles - mounts against glass with only two holes or steel with conventional mounting
- Installed with (3) M6 X 1.0 bolts (not included)
- Recommended mounting fastener torque to be 5.6-6.7 N-m (50-59 lbf-in)

U.S. Patent No. 7,819,440
Other Patents Pending

Caution: Product does not meet the locking requirements for FMVSS 206 (ECE R11).

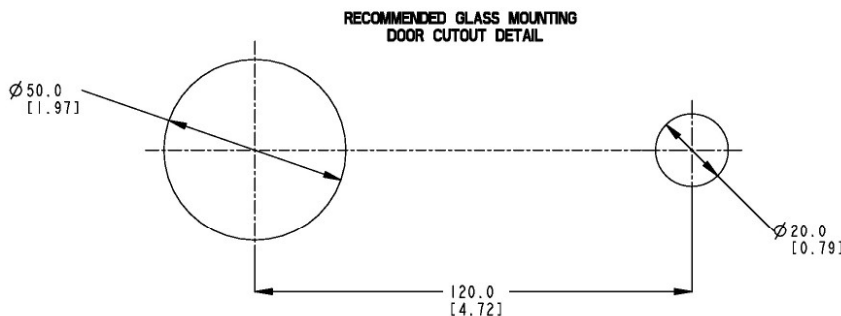
AVAILABLE:

- With perimeter gasket and spacers to facilitate mounting and provide resistance to water and dirt infiltration
- Non-power locking version
- Standard Deutsch sealed connector - 8 pin socket plug. (Connector customizations are available)

MATERIAL:

- Handle and base: Glass reinforced nylon
- Threaded inserts: Brass
- Potted (polyurethane resin) PCB board ensures environmental protection and durability

All dimensions are for reference only. For more information visit www.trimarkcorp.com



Handles:
Pull Type
101

020-1100 Remote Pull Handle

This product is designed for entrance doors on RV and specialty vehicles where it is desirable to have the exterior handle remotely mounted from the inside release and rotary latch. It features a large automotive styled exterior pull handle and latch mechanism and is adaptable for power locking.

- Entrance doors with thickness of 2.00" (50.8mm) minimum

FEATURES/BENEFITS:

- Automotive style pull handle and latch mechanism
- Smooth opening/closing action
- Comfortable finger access
- Adaptable for power door lock actuation
- Non-handed design - the pull handle can be mounted in vertical or horizontal orientations
- Molded gasket for flange of housing and paddle leg provides resistance to water infiltration

AVAILABLE:

- Master keyed lock key cylinder
- Lock can be keyed to match other TriMark door products with KeyOne™ Plus for a single-key system, keyed alike or provided non-locking



INSTALLATION:

- Easy to install with (4) #8-32 UNC mounting screws (not included)
- Recommended mounting torque 30 in-lbs (3.4 N-m)

MATERIAL:

- Sturdy die cast zinc alloy paddle and housing
- Molded gaskets (included)

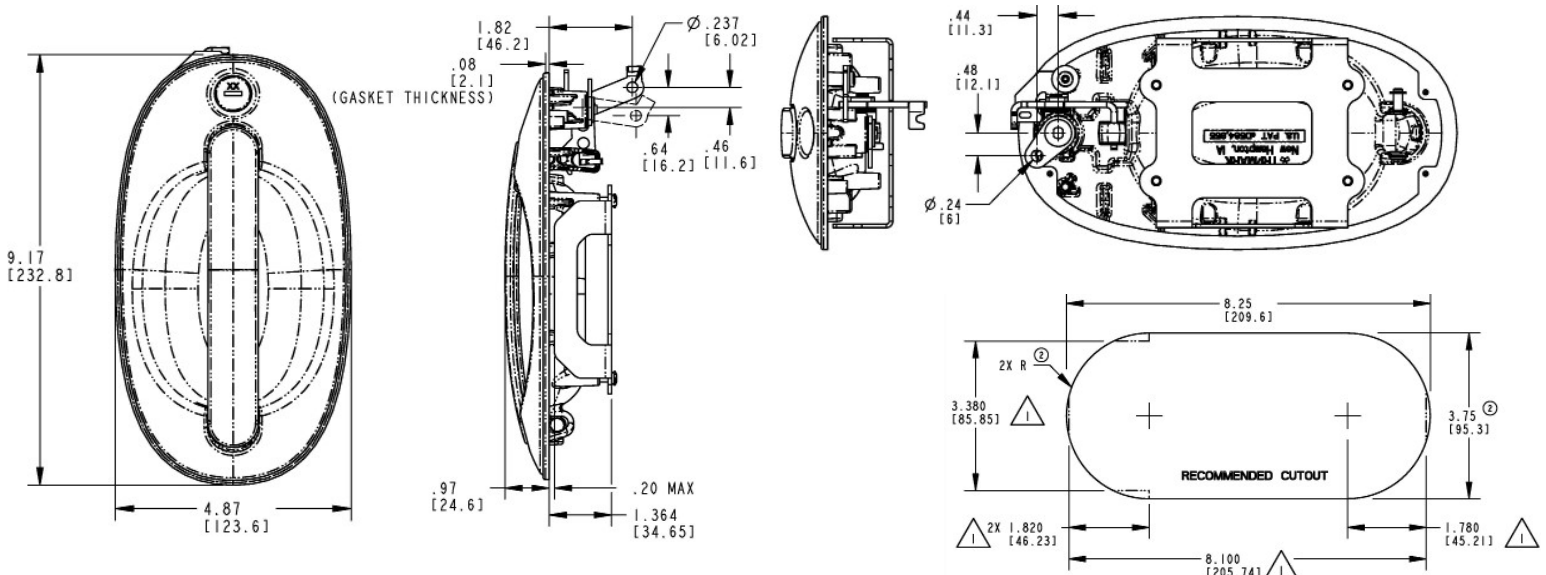
FINISH:

- Black powder coated housing with black powder coated or chrome plated handle
- Optional chrome plated housing

U.S. Design Patent No. D564,855

Note that this 020-1100 Remote Pull Handle complies with FMVSS 206 (ECE R11) when tested accordance with SAE J839 and that this product meets FMVSS 206 (ECE R11) locking requirements and may be used in FMVSS 206 (ECE R11) applications pending TriMark application approval. Please refer to page 158 for the complete FMVSS 206 (ECE R11) statement.

All dimensions are for reference only. For more information visit www.trimarkcorp.com



020-1150 Two Point Free Float Pull Handle

This product is designed for entrance doors on RV and specialty vehicles where it is desirable to have the exterior handle remotely mounted from the inside release and rotary latch. It features a large automotive styled exterior pull handle and is adaptable for power locking.



DESIGNED FOR:

- Entrance and compartment doors with thickness of 2.00" (50.8mm) minimum

FEATURES/BENEFITS:

- Automotive style pull handle and latch mechanism
- Smooth opening/closing action
- Comfortable finger access
- Adaptable for power door lock actuation
- Non-handed design
- The pull handle can be mounted in vertical or horizontal orientation
- Molded gasket for flange of housing and paddle leg provides resistance to water infiltration

AVAILABLE:

- Master keyed lock key cylinder
- Lock can be keyed to match other TriMark door products with KeyOne™ Plus for a single-key system, keyed alike or provided non-locking



INSTALLATION:

- Easy to install with (4) #8-32 UNC mounting screws (not included)
- Recommended mounting torque 30 in-lbs (3.4 N-m)

FINISH:

- Black powder coated housing with black powder coated paddle or chrome plated paddle
- Optional chrome plated housing

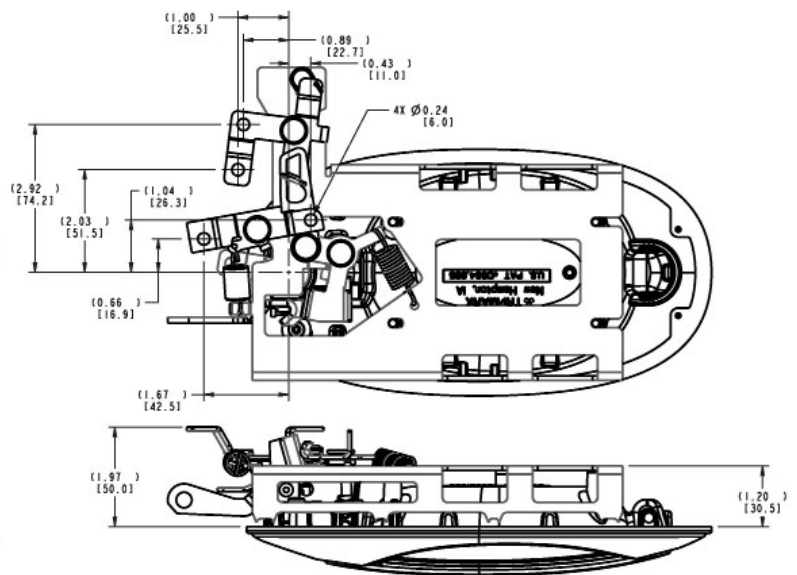
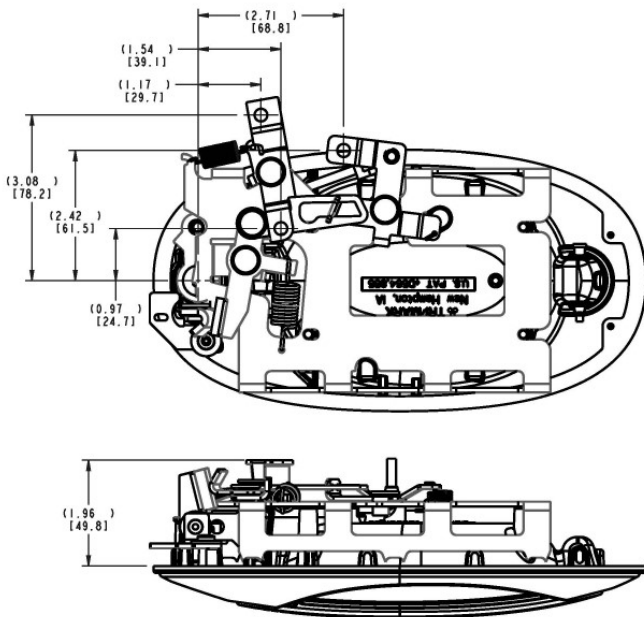
MATERIAL:

- Sturdy die cast zinc alloy paddle and housing
- Molded gaskets (included)

U.S. Design Patent No. D564,855

Note that this 020-1150 Two-Point Free Float Pull Handle complies with FMVSS 206 (ECE R11) when tested accordance with SAE J839 and that this product meets FMVSS 206 (ECE R11) locking requirements and may be used in FMVSS 206 (ECE R11) applications pending TriMark application approval. Please refer to page 158 for the complete FMVSS 206 (ECE R11) statement.

All dimensions are for reference only. For more information visit www.trimarkcorp.com



020-7100 Flush Pull Handle

Recessed pull handle designed for personal and compartment doors for light to medium duty in agricultural and construction applications.

FEATURES/BENEFITS:

- Ergonomic function and styling
- Variants for direct and remote release operations available in push and pull function (please inquire)
- Recessed profile with generous hand clearance
- 360° actuation movement to facilitate fitting in any orientation
- Supplied with mounting gasket
- Various key options available
- Handle free floats when locked

AVAILABLE:

- Several options are available for direct and remote release operation



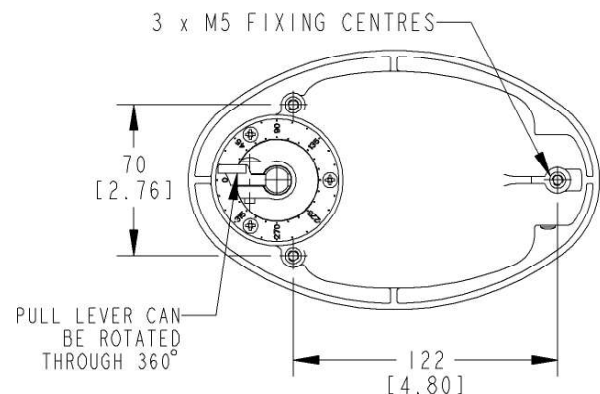
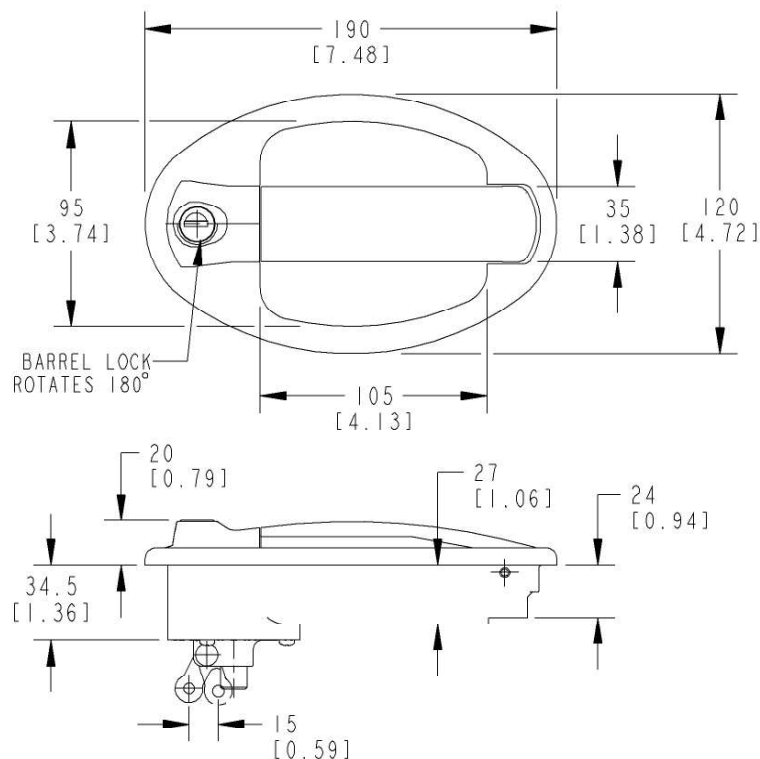
MATERIAL/FINISH:

- Housing: UV stabilized nylon, brass mounting inserts
- Handle: UV stabilized nylon - gas injection

INSTALLATION:

- Easy to install
- (3) M5 brass insert mounting for stability
- Recommended mounting fastener torque to be 2.0 N-m (18 lbf-in) maximum

Caution: Product does not meet the locking requirements for FMVSS 206 (ECE R11).



All dimensions are for reference only. For more information visit www.trimarkcorp.com

040-0300 Non-Metallic Push Button Handle

This handle was specifically designed for off-highway vehicle applications that require a surface mounted exterior push button handle. It offers robust construction and ergonomic function in a rugged engineering grade plastic.

- Off-highway applications - construction, mining, agricultural
- Outside latch release

FEATURES/BENEFITS:

- Frictionless push button seal
- Flow through self-cleaning design
- Readily adaptable to a variety of door thicknesses with an adjustable 1/4" diameter capscrew
- Mounts against glass with only two holes
- Available keyed alike or keyed random



MATERIAL:

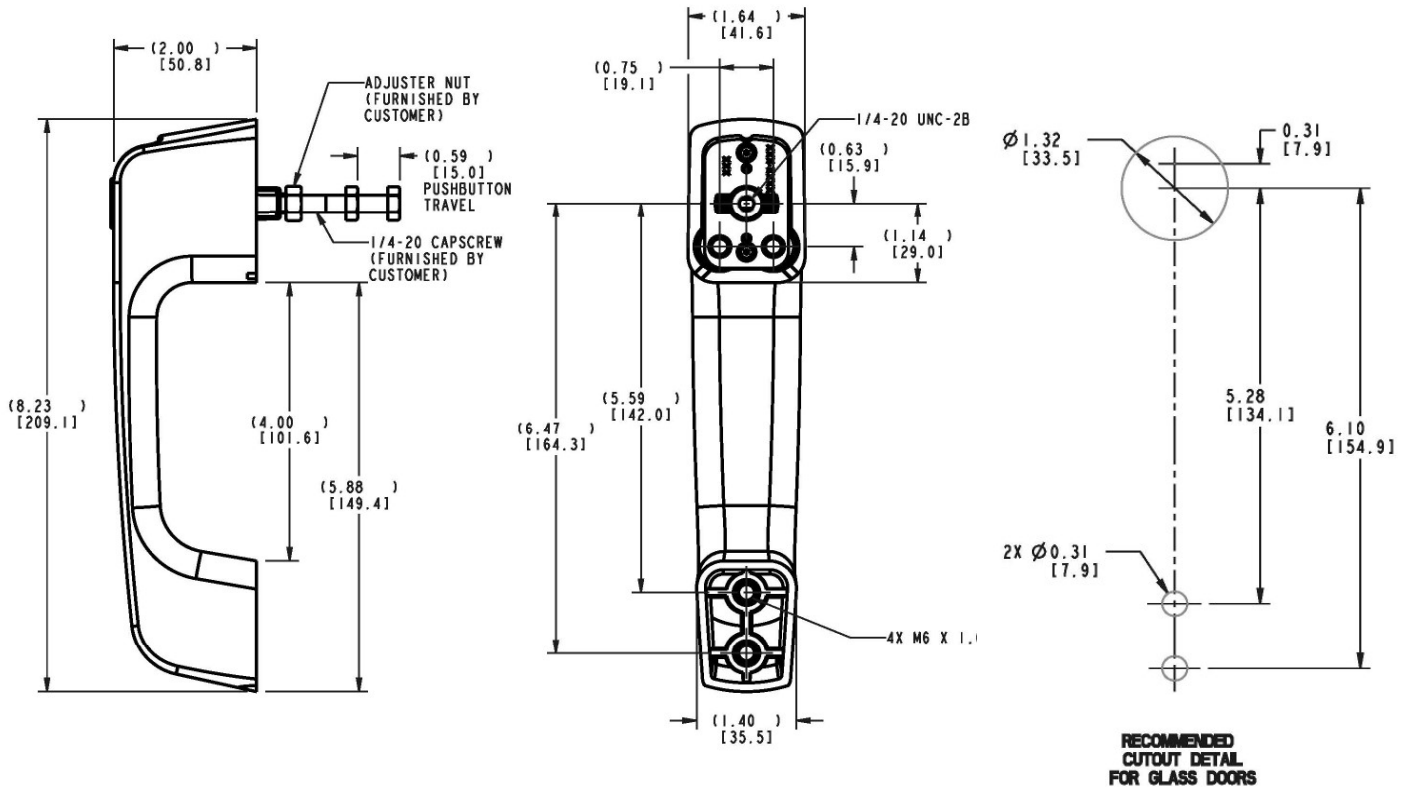
- Glass reinforced nylon
- Brass threaded inserts

INSTALLATION:

- Installed with (3) M6 x 1 bolts (not included)
- Recommended mounting fastener torque to be 5.6-6.7 N-m (50-59 lbf-in)

All dimensions are for reference only. For more information visit www.trimarkcorp.com

Caution: Product does not meet the locking requirements for FMVSS 206 (ECE R11).



040-0600 TriMount Push Button Handle

The 040-0600 TriMount Push Button Handle was specifically designed for off-highway vehicle applications that require a surface mounted exterior push button handle with 120mm or 163mm mounting pattern. It retrofits with most European push button handles and offers robust construction, ergonomic function and styling for a very cost effective price.

FEATURES/BENEFITS:

- Universal mounting is available in three different mounting configurations: (2) bolt 120mm (4.72"), (3) bolt 120mm (4.72") and (2) bolt 163mm (6.42") mounting
- Frictionless push button seal
- Readily adaptable to a variety of door thickness with an adjustable bolt and nut
- Full gloved hand clearance
- 15.88mm (.625") button travel
- Easy to operate (ergonomics)

MATERIAL:

- Handle: Glass reinforced nylon



AVAILABLE:

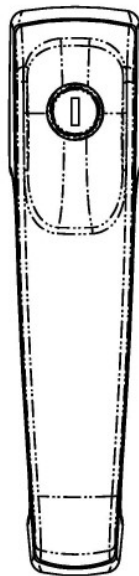
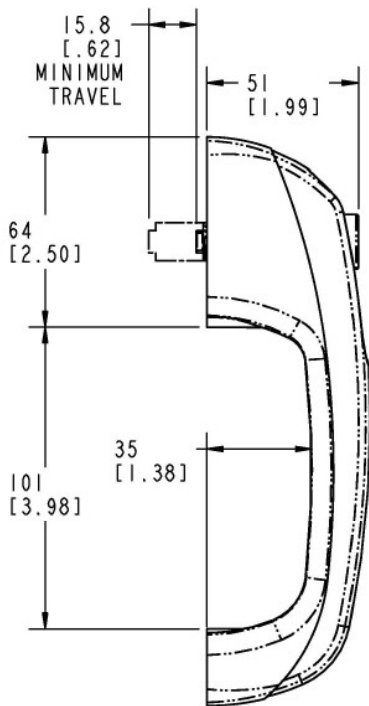
- Can be keyed alike with most single and reversible key systems or non-locking configurations
- Locked rigid or free-floating versions
- With bezels or gasket sets to facilitate mounting and provide resistance to water and dirt infiltration (sold separately)

INSTALLATION:

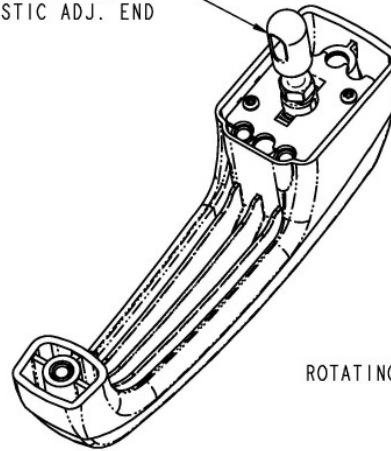
- Installed with (2 or 3) M6 x 1.0 bolts (not included)
- Mounts against glass with only two holes
- Recommended mounting fastener torque to be 5.6-6.7 N-m (50-59 lbf-in)

U.S. Design Patent No. D461,391

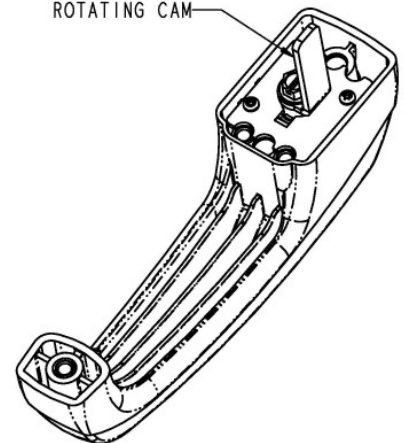
Caution: Product does not meet the locking requirements for FMVSS 206 (ECE R11).



ADJUSTABLE BOLT, NUT AND PLASTIC ADJ. END



ROTATING CAM



All dimensions are for reference only. For more information visit www.trimarkcorp.com

040-0700 Lift and Latch Handle

The 040-0700 Lift and Latch Handle is designed to operate on back hoe loader and excavator vertical opening windows for full unobstructed vision. Latching is provided in the 'fully open' or overhead position, and in the 'closed' front latched position. This integrated latching and handle solution features full gloved hand clearance, one-touch action release and slam action retention providing safe and secure operation.

- Medium to heavy-duty on-highway vehicle vertical windows where movement up and over is desired

FEATURES/BENEFITS:

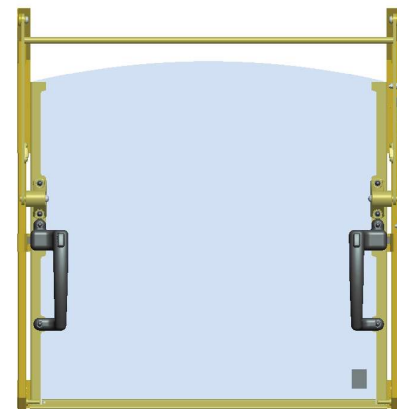
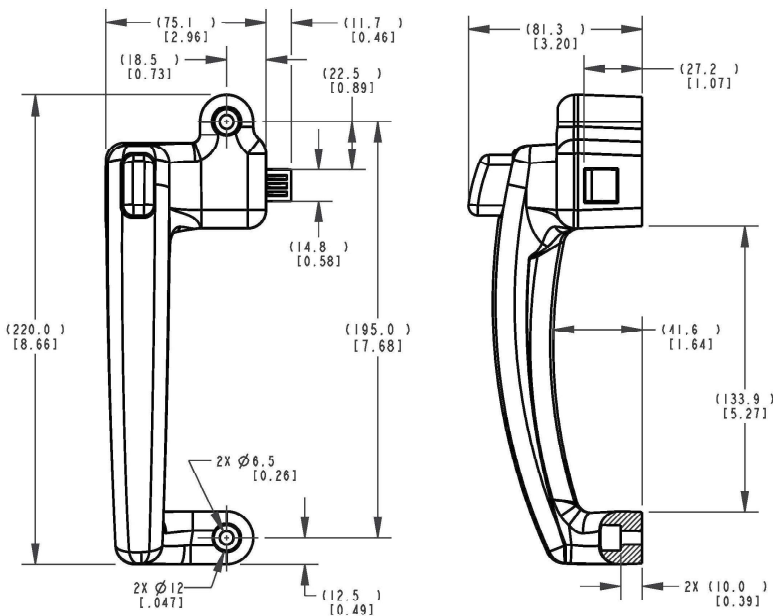
- Easy to operate (ergonomics), operator handle is gas injected which gives automotive feel and appearance
- 12mm (.47") plunger travel provides secure engagement into window tracks
- Right and left hand configuration is sold as a pair
- Manufactured in injection molded engineered plastic to save weight
- Lower cost compared to zinc die cast versions

MATERIAL:

- Handle/Plunger: Glass reinforced nylon

INSTALLATION:

- Push button handle with 195mm (7.68") mounting pattern - retrofits with some European up and over handles
- Installs easily with (4) M6 mounting fasteners (not included)



All dimensions are for reference only. For more information visit www.trimarkcorp.com

Handles:
Push Button
107

040-1400 Push Button Center Control

This handle was designed for toppers, lift-gate and baggage doors and features a push button actuation and a two point bellcrank linkage. Installation is easy with either a threaded panel nut or spring clip.

- Door thickness up to 1/4" (6.35mm)

FEATURES/BENEFITS:

- Push button actuation versus typical twist action
- Durable and weather resistant construction
- Ergonomically shaped finger pull
- Housing flange gasket, push button o-ring and shuttered keyplug for reducing water and dirt infiltration
- Bypass lock mechanism allows push button to free-travel when locked for added security
- Lock can be keyed to match other TriMark door products with KeyOne™ Plus for a single-key system, keyed alike or provided non-locking



INSTALLATION:

- 1-1/8" (28.6mm) panel nut to secure escutcheon to the door
- Spring clip to attach linkage to escutcheon

MATERIAL:

- Housing, push button and mounting nut: Die cast zinc



FINISH:

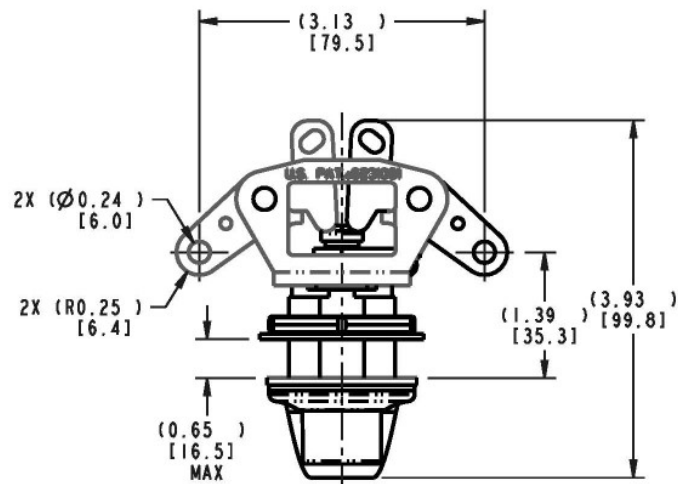
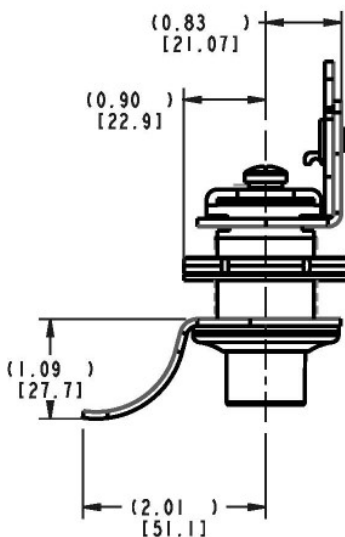
- Escutcheon and finger pull: Black powder coated
- Push button: Buffed chrome or black powder coated
- Steel components: Zinc plated with chromate conversion coating

AVAILABLE:

- Custom finger pulls (please inquire)
- Optional anti-spin washer
- Keyed random. Over 50 key codes available
- Without bellcrank linkage as stand alone push button
- Can be keyed alike with most single and reversible key systems

U.S. Patent No. 6,231,091

All dimensions are for reference only. For more information visit www.trimarkcorp.com



040-7100 Push Button Handle - Economy

This exterior push button handle is designed for off-highway vehicle applications that require a surface mounted exterior push button handle

FEATURES/BENEFITS:

- (2) bolt 120mm (4.72") mounting
- Readily adaptable to a variety of door thickness using various cams
- Suitable for mounting to glass, steel and composite surfaces
- 12mm (.47") button travel
- Easy to operate

AVAILABLE:

- Can be keyed alike with most single and reversible key systems or non-locking configurations
- Locked rigid or free-floating versions
- Variety of cam options

MATERIAL:

- Handle/Button: Glass reinforced nylon
- Brass threaded M6 inserts

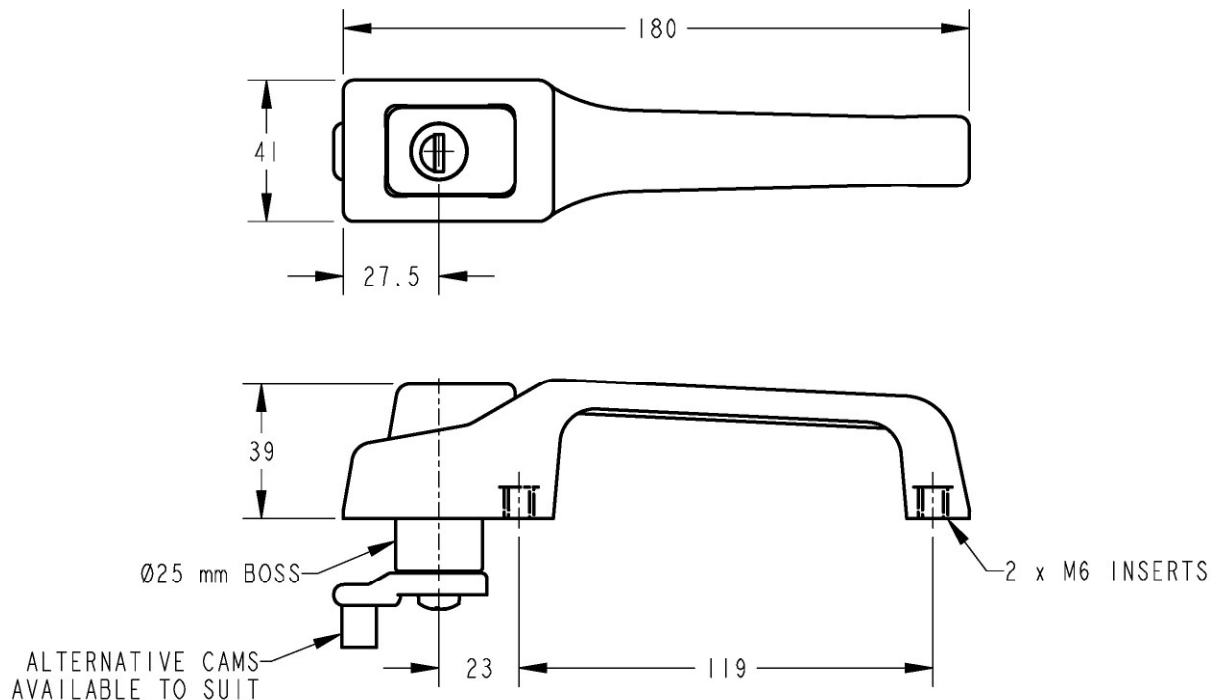


INSTALLATION:

- Installed with (2) M6 x 1.0 bolts (not included)
- Mounts against glass with only two holes
- Available with mounting gaskets
- Recommended mounting fastener torque to be 6-8 N-m (50-59 lbf-in)

All dimensions are for reference only. For more information visit www.trimarkcorp.com

Caution: Product does not meet the locking requirements for FMVSS 206 (ECE R11).



040-7200 Push Button Handle - Flat Style

This push button handle is designed for off-highway vehicle applications that require a surface mounted exterior push button handle.

FEATURES/BENEFITS:

- (2 or 3) bolt 120mm (4.72") mounting
- Readily adaptable to a variety of door thickness using various cams
- Suitable for mounting to glass, steel and composite surfaces
- 12mm (.47") button travel
- Incorporates push button thumb shield
- Easy to operate

AVAILABLE:

- Can be keyed alike with most single and reversible key systems or non-locking configurations
- Free-float locking
- Variety of cam options

MATERIAL:

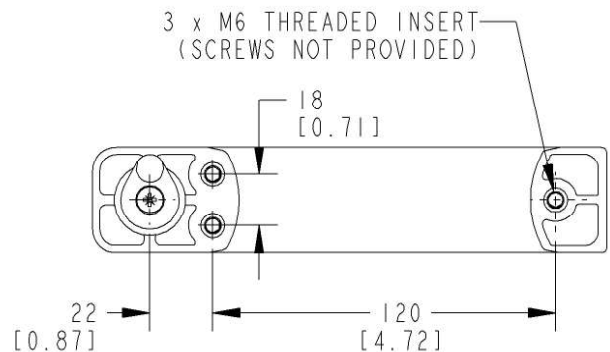
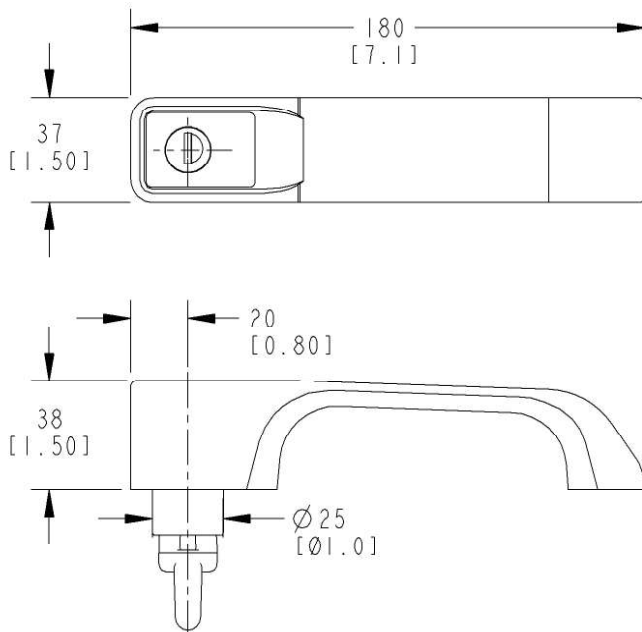
- Handle/Button: Glass reinforced nylon
- Brass threaded M6 inserts



INSTALLATION:

- Installed with (2 or 3) M6 X 1.0 bolts (not included)
- Mounts against glass with only two holes
- Available with mounting gaskets
- Recommended mounting fastener torque to be 6-8 N-m (50-59 lbf-in)

Caution: Product does not meet the locking requirements for FMVSS 206 (ECE R11).



All dimensions are for reference only. For more information visit www.trimarkcorp.com

040-7300 Push Button Handle - Water Resistant

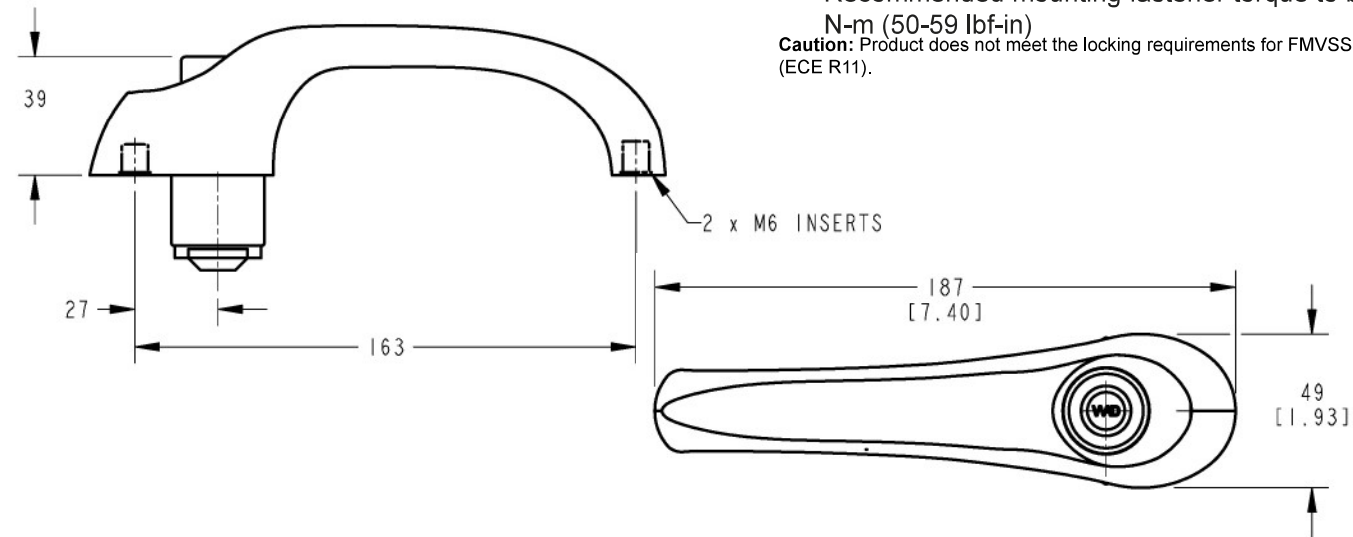
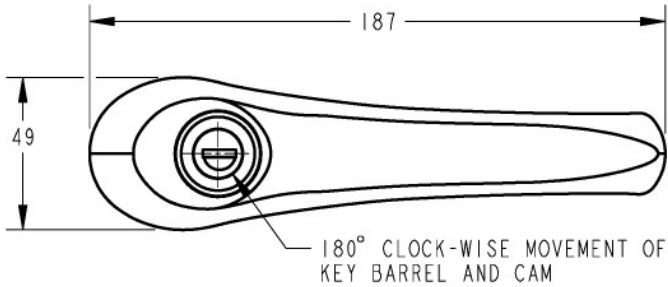
This stylish push button handle is designed for off-highway vehicle applications that require a surface mounted exterior push button handle.

FEATURES/BENEFITS:

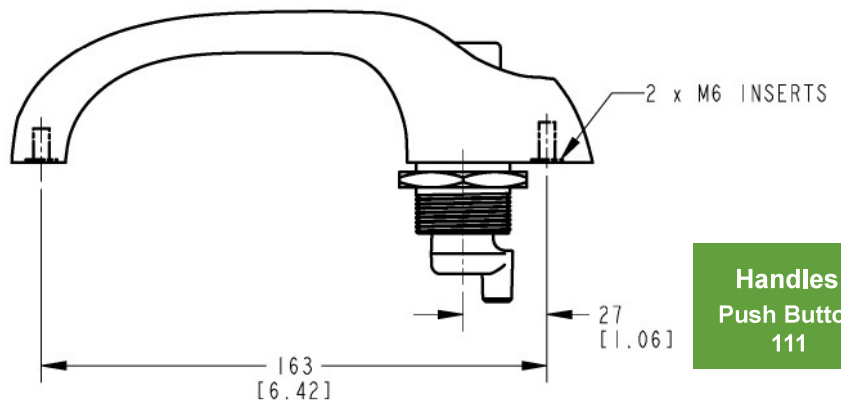
- (2) bolt 165mm (6.50") mounting or threaded boss 136mm (5.35") mounting
- Readily adaptable to a variety of door thickness using various cams
- Suitable for mounting to glass, steel and composite surfaces
- 12mm (.47") button travel
- Water resistant to IPX5 (IEC529 edition 2.1 2001/2002)
- Easy to operate (ergonomic)

AVAILABLE:

- Can be keyed alike with most single and reversible key systems or non-locking configurations
- Locked rigid or free-floating versions



All dimensions are for reference only. For more information visit www.trimarkcorp.com



MATERIAL:

- Handle/Button: Glass reinforced nylon
- Brass threaded inserts for conventional two hole fixing
- Brass nut for boss mount

INSTALLATION:

- Installed with (2) M6 x 1.0 bolts (not included) or with M30 brass nut (included) and (1) M6 x 1.0 bolt (not included)
- Mounts against glass with only two holes
- Available with mounting gaskets
- Recommended mounting fastener torque to be 6-8 N-m (50-59 lbf-in)

Caution: Product does not meet the locking requirements for FMVSS 206 (ECE R11).

Handles:
Push Button
111

010-0100 Release Lever

Designed for an inside release for the use on L-handles, this product offers a simple low cost handle for use on rotating drive bar applications.

AVAILABLE:

- With 5/16" square hole at 90 degree or 45 degree orientation

MATERIAL

- Die cast zinc alloy

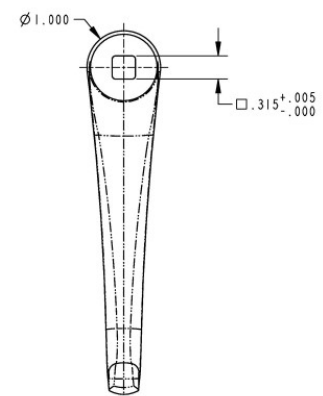
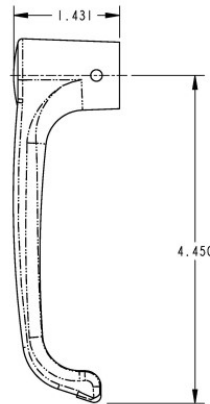
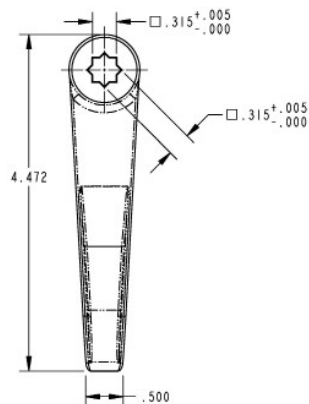
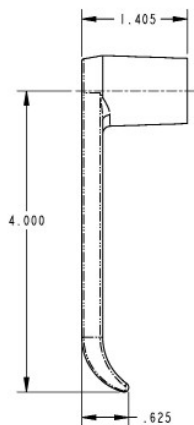
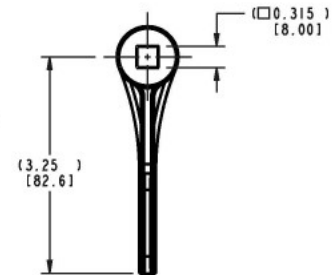
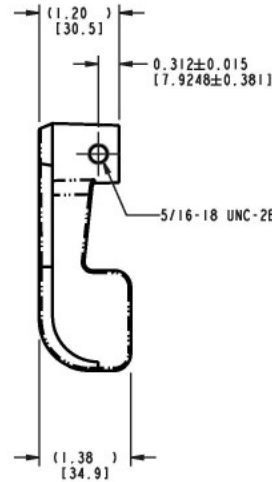
FINISH:

- Mill - unplated
- Copper-nickel chrome plated
- Black powder coated

INSTALLATION:

- .156" (4.0mm) diameter roll pin (not included)
- 5/16" diameter set screw

All dimensions are for reference only. For more information visit www.trimarkcorp.com



010-0200 Non-Locking / 010-0300 Locking L-Handle

Non-locking L handles provide simple interior/ exterior rotating handle functions for surface mounted applications.

- General purpose use for off-highway cab doors or storage, compartment and access doors for on or off-highway applications

FEATURES/BENEFITS:

- Ample finger clearance
- Easily installed with oval or flat head #10 fasteners (not included)
- Locking L-handle assembly provides 360° rotation and locks at 90° increments

AVAILABLE:

- Mounting hole patterns and escutcheons (bases) for different finger clearances
- Drive bar lengths, with or without holes or threaded rods
- Keyed CH751 and other key codes
- Drive bar attached to handle by drilling and pinning
- Locking or non-locking:
 - ◇ Standard finger clearance (Type 1 and 2)
 - ◇ Extended finger clearance (Type 4)
- 1.50" (3.81mm) or 1.75" (4.45mm) mounting hole spacing

All dimensions are for reference only. For more information visit www.trimarkcorp.com



FINISH:

- Handle and escutcheon: Copper-nickel chrome plated or black powder coated
- Drive bar: Mill finish

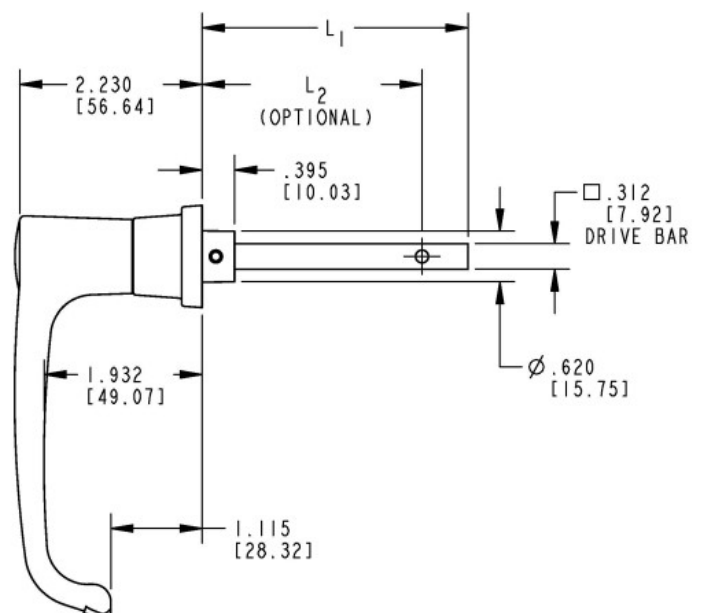
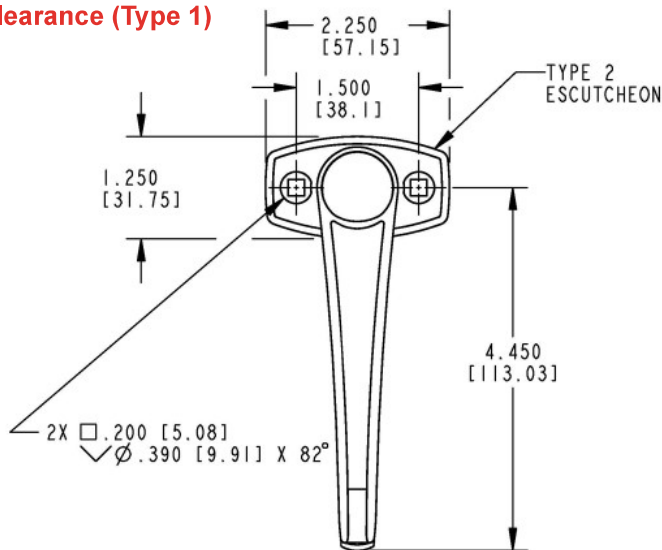
MATERIAL:

- Handle and escutcheon: Die cast zinc alloy
- Drive bar: Mild steel

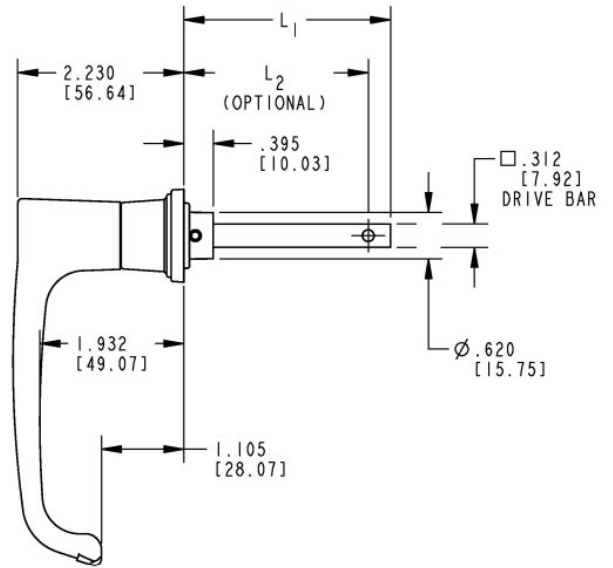
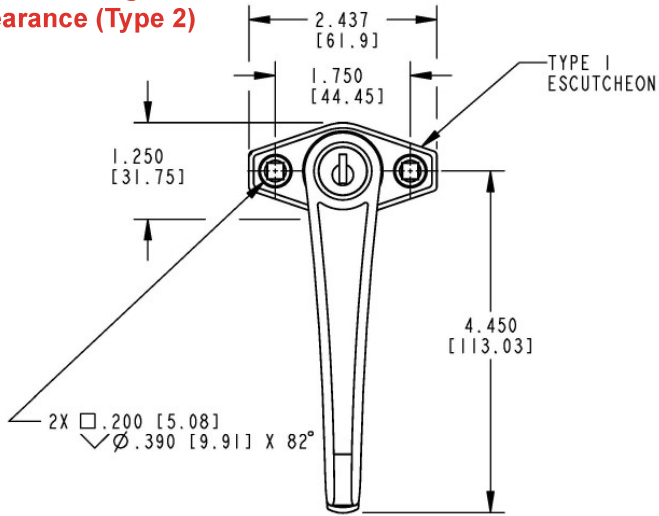
SPECIFY WHEN ORDERING:

- Series number
- Escutcheon type
- Drive bar length (L1) and optional hole location (L2)

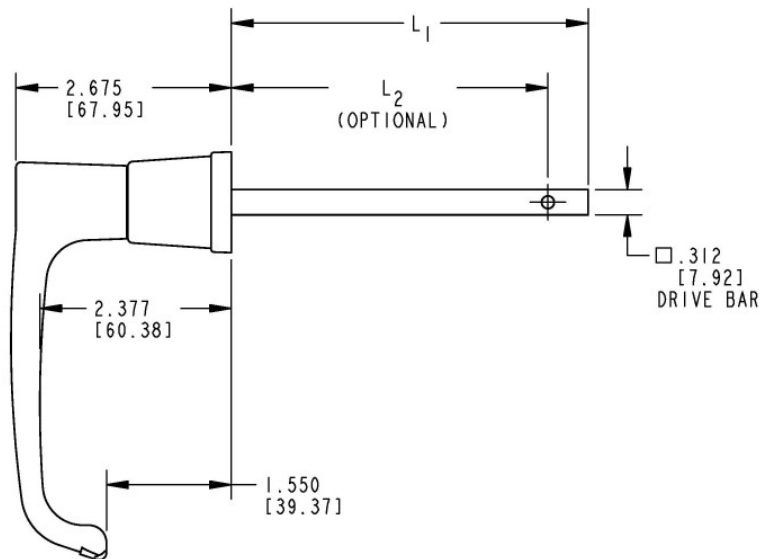
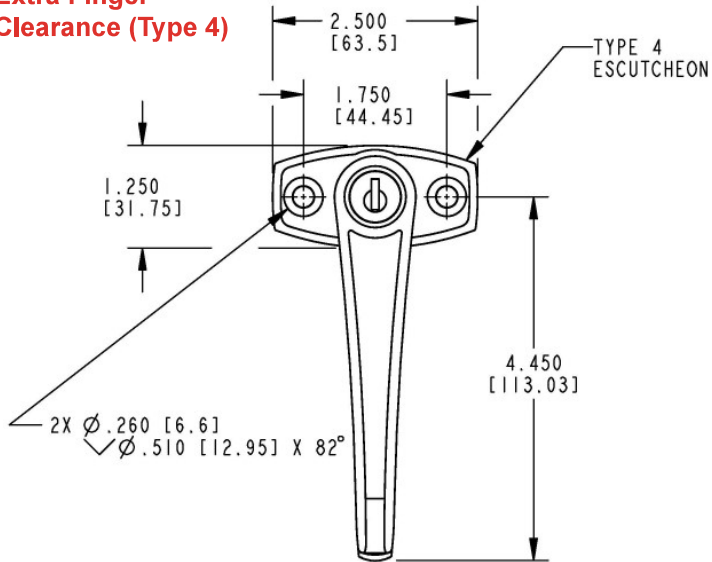
Standard Finger Clearance (Type 1)



Standard Finger Clearance (Type 2)



Extra Finger Clearance (Type 4)



All dimensions are for reference only. For more information visit www.trimarkcorp.com

010-0600 Flush Mounted Pop-Up T-Handle

This handle was designed for toppers, lift gate and baggage doors where 1/4 turn cam locking is desired. It features a low profile handle that pops up when actuated for ease of use and is available in several rotations, drive bar lengths and finishes.

- Garage doors, storage and access doors
- Any application where low profile hardware is important

FEATURES/BENEFITS:

- Flush mounted - when "T" handle is depressed, rivets and fastener heads are concealed
- Rubber gasket under base provides resistance to water infiltration

AVAILABLE:

- Key lockable with 50 key codes available or keyed alike. Non-locking version is also available
- One or two point locking
- 90° or 150° rotation
- 2.50" (63.5mm) or 3.50" (88.9mm) drive bar lengths
- Clockwise or counterclockwise rotation



MATERIAL:

- Shuttered keyway: Stainless steel
- All major components: Zinc alloy
- Drive bar: Zinc plated steel
- Internal (2) springs: Stainless steel

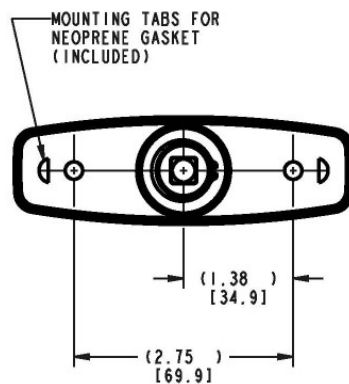
FINISH:

- Black powder coated or white

INSTALLATION:

- Easy installation with (2) #10 fasteners or rivets
- Recommended door mounting - 1.125" (28.6mm) diameter thru hole

All dimensions are for reference only. For more information visit www.trimarkcorp.com

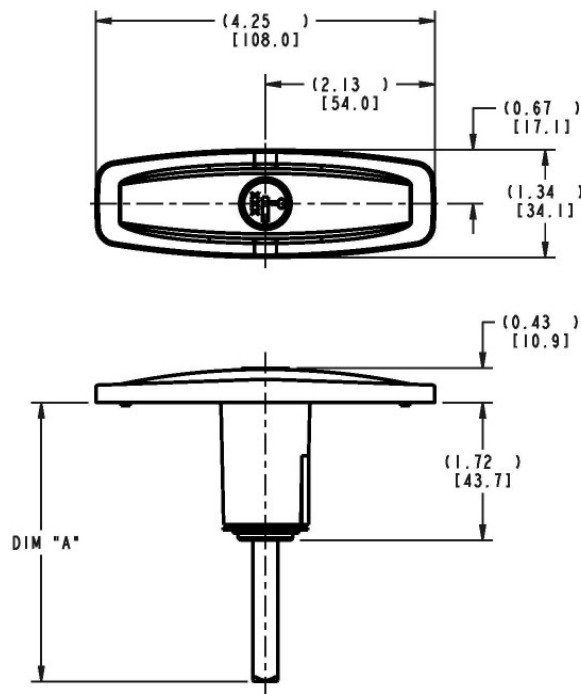


DRIVE BAR CHART

Dimension "A"

2.50" (63.5mm)

3.50" (88.9mm)



010-0700 Light Duty Compartment Latch

This handle was designed for small compartment and access doors and tool boxes where 1/4 turn cam locking is desired. Available in both locking and non-locking, the non-locking version features a detent function in both the latched and unlatched positions.

AVAILABLE:

- Locking configuration: Keys furnished with assembly
- Non-locking configuration: Detent in latched and unlatched positions
- 90° cam rotation

MATERIAL:

- Handle: Die cast zinc alloy
- Cam: Zinc plated steel



FINISH:

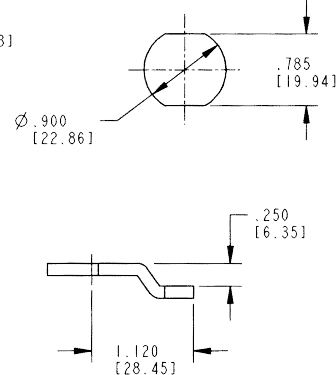
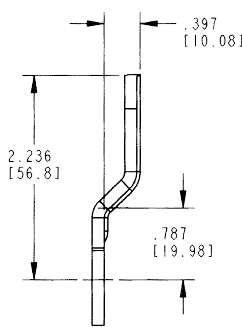
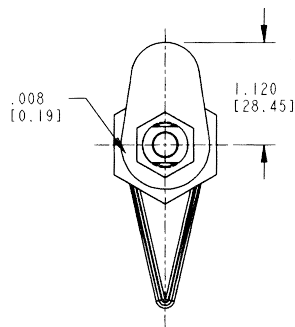
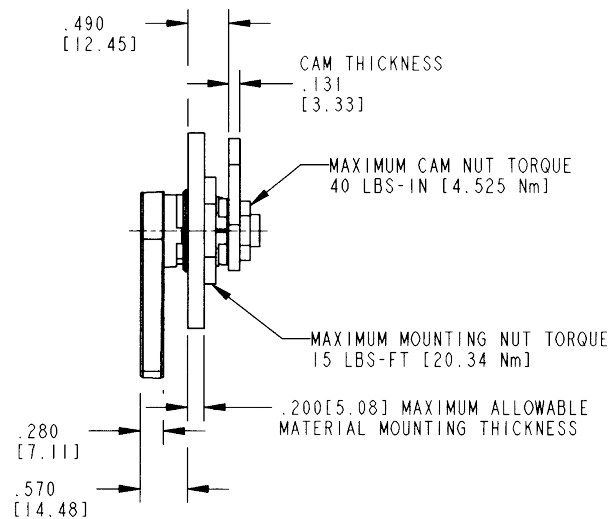
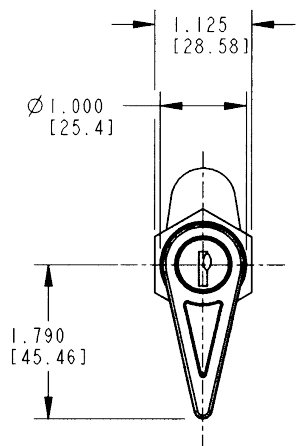
- Copper-nickel-chrome plated
- Black powder coated

INSTALLATION:

- Supplied either fully assembled or bagged with cam and nuts packaged loose
- Removal of cam and 7/8-28 mounting nut is required for installation.

All dimensions are for reference only. For more information visit www.trimarkcorp.com

Important: Note maximum mounting nut torque specifications below.



010-1000 Rotating Lever Handle

These robust exterior and interior door handles are fabricated from high strength plate steel and feature modular attach/quick detach drive details and offer 1000 hour Cass protection with a soft touch coating.

DESIGNED FOR:

- Entrance and rear door applications for heavy-duty vehicles
- Interior and exterior applications
- Medium to heavy duty doors of 23-455 kg (50-1000 lbs.)

FEATURES/BENEFITS:

- Heavy duty construction

AVAILABLE:

- A variety of sizes and forms available
- Customization features available: Please inquire
 - ◇ Length and forming of handle
 - ◇ Handle materials

MATERIAL:

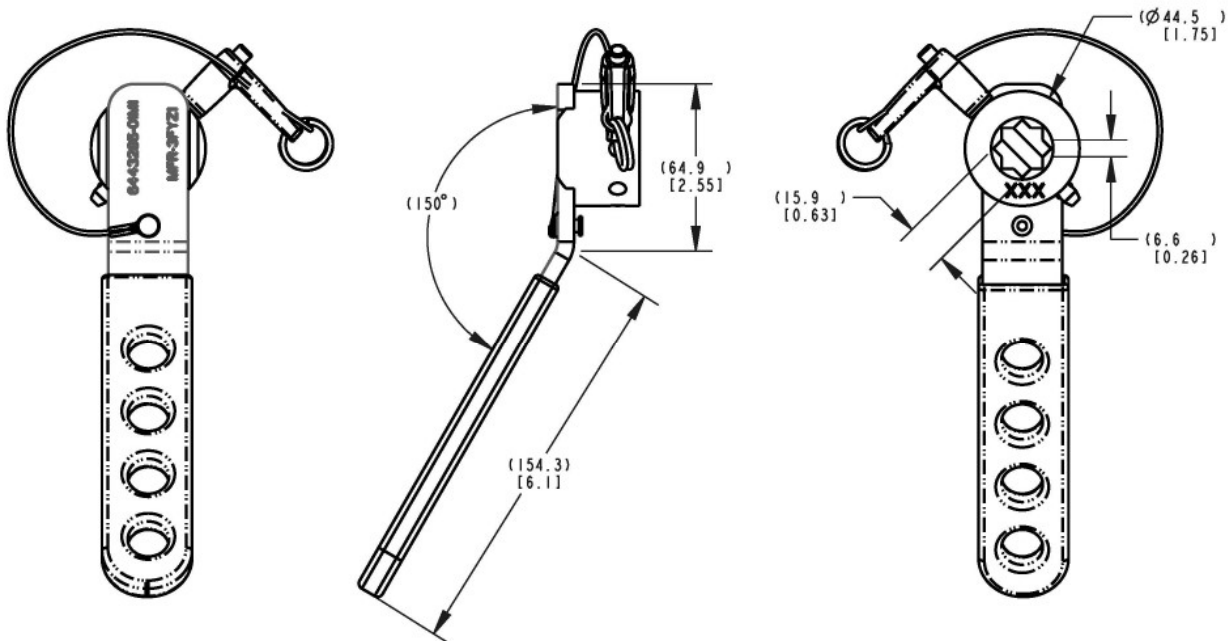
- Standard - high strength steel construction
- Available with advanced lightweight aluminum alloy



FINISH:

- Standard low gloss black powder coated
- Mil-Spec soft grip nylon coated handle
- 1000 hour corrosion protection
- Optional finishes available including: Black Magni™ coating, Tan/Olive CARC paint and Tan/Olive powder coating

U. S. Design Patent No. D596,917 / D615,383 / D615,841



All dimensions are for reference only. For more information visit www.trimarkcorp.com

Handles:
Rotating T&L
117

010-1100 TriGuard Heavy - Duty Rotating Handle

This robust exterior L-handle features modular construction that allows for customization, including the use of light weight materials without sacrificing strength. The handle also allows for use of a padlock for security.

- Entrance and rear door application for heavy-duty vehicles
- Interior and exterior applications
- Medium to heavy duty doors of 23-455 kg (50-1000 lbs.)

FEATURES/BENEFITS:

- Heavy duty modular construction
- Padlockable for additional security or non-locking versions available
- Modular construction allows for serviceable handle components disassembly

AVAILABLE:

- Standard steel handle version or available with lightweight aluminum handle
- Right or left hand rotation versions available
- Customization features available. Please inquire.
 - ◇ Mounting details—door thickness
 - ◇ Length of handle
 - ◇ Handle materials

MATERIAL:

- Standard - high strength steel construction
- Available with advanced lightweight aluminum alloy handle

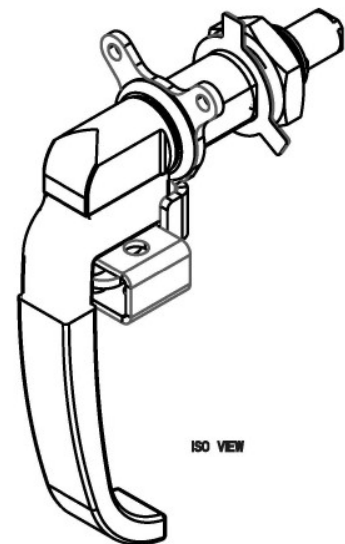
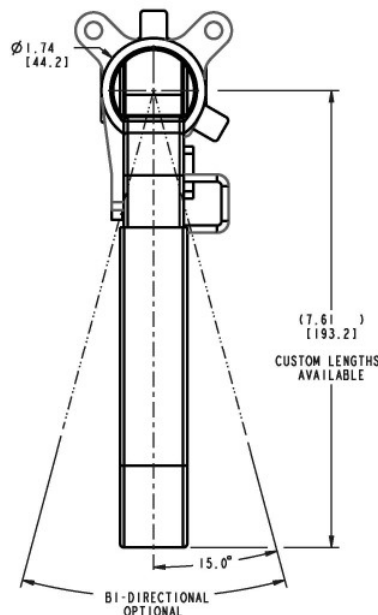
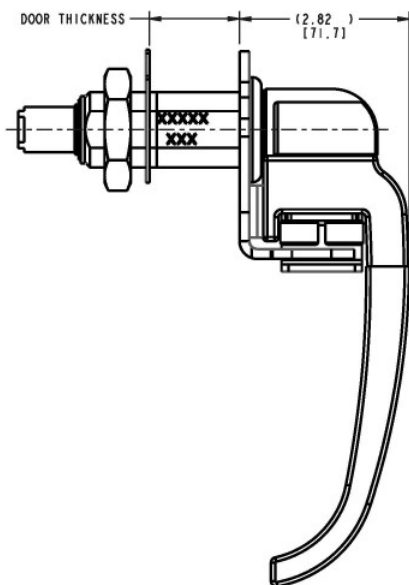


FINISH:

- Standard low gloss black powder coated
- Mil-Spec soft grip nylon coated handle
- 1000 hour corrosion protection
- Optional finishes available including: Black Magni™ coating, Tan/Olive CARC paint and Tan/Olive powder coating

INSTALLATION:

- Easy to install, mounts with single 1.250 - 20 UN threaded nut
- Tighten to the manufacturers' recommended torque value, however, do not exceed 405 N-m (295 ft-lb)
- Mounting nut and lock washer included



All dimensions are for reference only. For more information visit www.trimarkcorp.com

010-7100 Window Handle - Single Position

This easy to operate window handle is designed to fit comfortably in the hand for top and side hinged windows for on and off-highway vehicles. Featuring 90 degree orientation with steel mounting plate and glass filled nylon handle.

FEATURES/BENEFITS:

- Designed to be used on hinged rear windows
- Ergonomic function and style
- Two configurations:
 - ◊ 31mm (1.22") height - 60mm (2.36") mounting
 - ◊ 78mm (3.07") height - 100mm (3.94") mounting
- 90° - clockwise rotation

AVAILABLE:

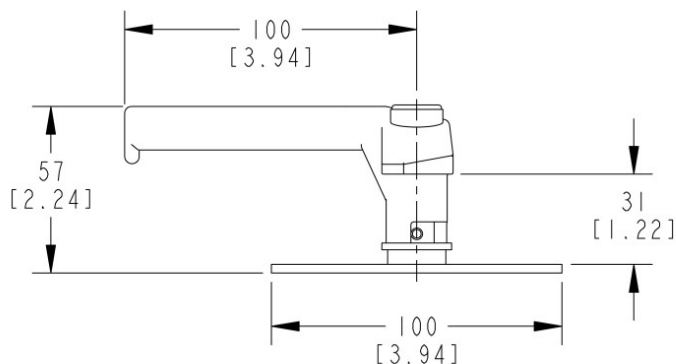
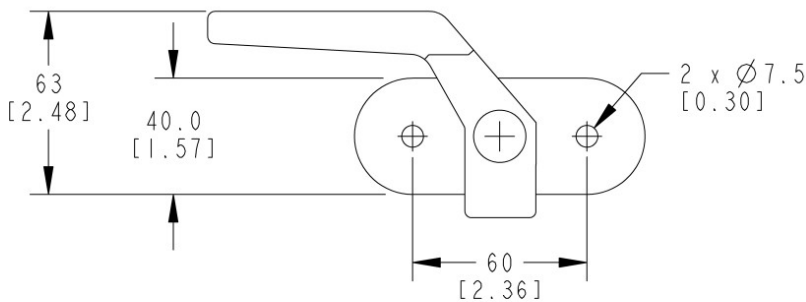
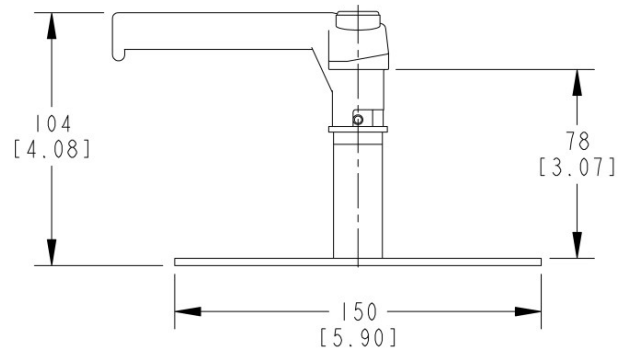
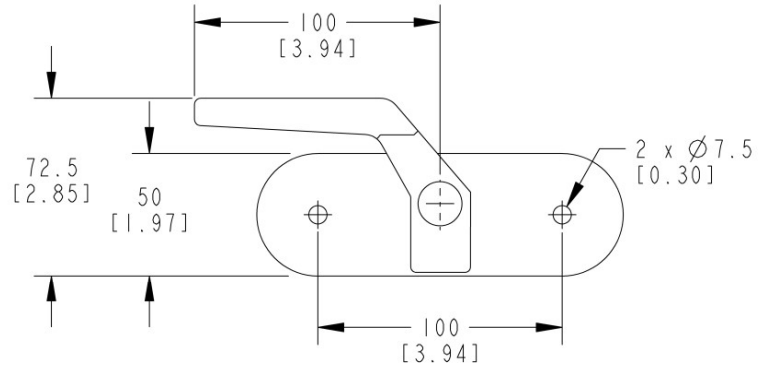
- Other length options are available to suit window off-sets

MATERIAL/FINISH:

- Black glass reinforced nylon handle
- Black electrophoretic coated mild steel mounting plate

INSTALLATION:

- Installed with (2) M6 X 1.0 bolts (not included)



All dimensions are for reference only. For more information visit www.trimarkcorp.com

Handles:
Rotating T&L
119

010-7120 Window Handle - Double Position

This easy to operate window handle is designed to fit comfortably in the hand for top and side hinged windows for on and off-highway vehicles. Featuring 90 degree orientation with steel mounting plate and glass filled nylon handle. Provides two position venting.

FEATURES/BENEFITS:

- L shape handle style
- Two point latching
- Easy to install

MATERIAL/FINISH:

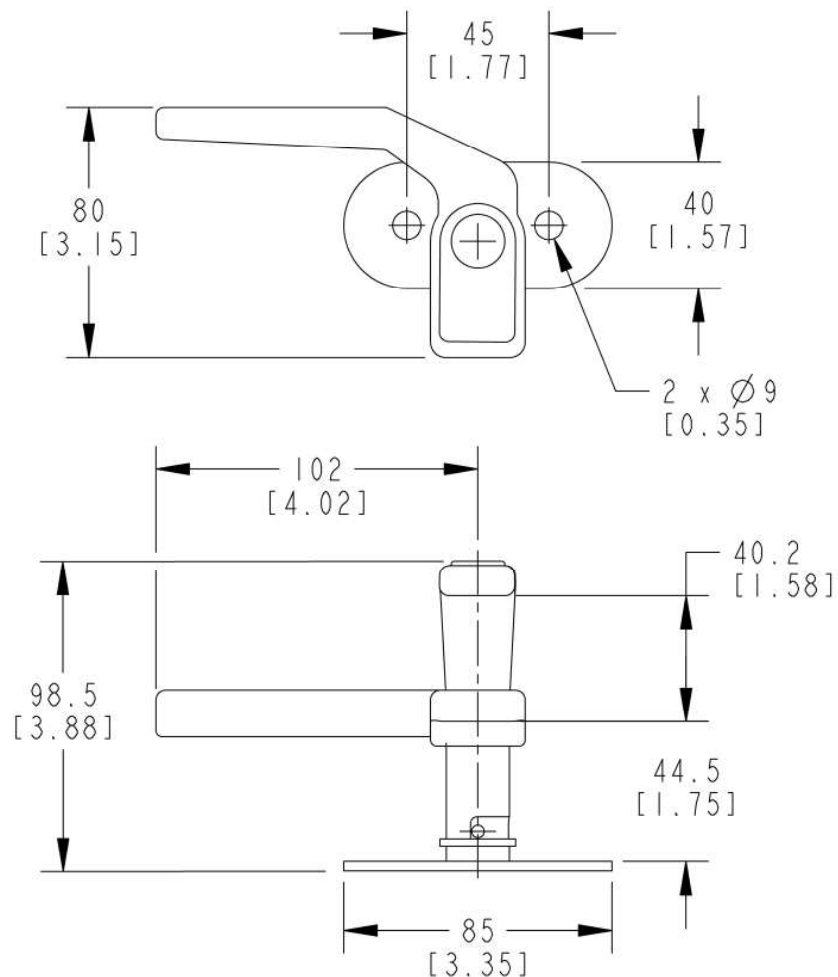
- Black glass reinforced nylon handle
- Black electrophoretic coated mild steel mounting plate

INSTALLATION:

- (2) 9mm diameter (.35") through holes



All dimensions are for reference only. For more information visit www.trimarkcorp.com



Handles:

Rotating T&L
120

020-0150 Grab Handle

This stylish entry assist handle for RV coaches, motor homes and travel trailers is available with a lighted acrylic bar for safety and convenience.

FEATURES/BENEFITS:

- Offers modern styling with premium look and feel
- Rugged and durable construction
- Perfect interior complement for the 540-0200 Lighted Grab Handle With Keypad (e-GRAB)

AVAILABLE:

- With or without handle rod light
- Handle rod can be personalized with manufacturer's name, model and logo
- Your choice of handle lengths

INSTALLATION:

- Easy to install with (8) 1/4" or M6 fasteners (not supplied)

FINISH:

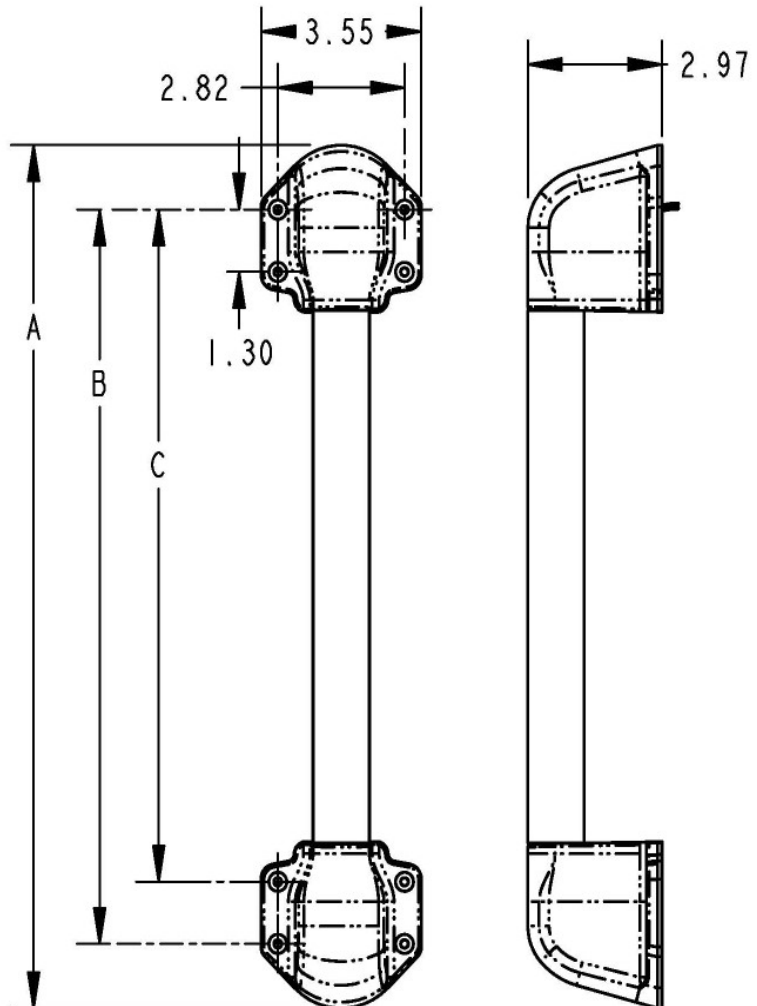
- High quality polished copper-nickel-nickel chrome is durable and stylish

MATERIAL:

- Sturdy zinc die cast alloy mounting end caps
- Cast acrylic rod in clear finish

Design Patent No. D559,653

All dimensions are for reference only. For more information visit www.trimarkcorp.com



A	458 [18"]	495 [19.5"]
B	390 [15.3"]	427 [16.8"]
C	357 [14.0"]	395 [15.5"]

020-7200 Grab Handle

This molded grab handle offers a balance of strength and weight at a cost effective price.

DESIGNED FOR:

- Exterior applications that require a light duty grab handle

FEATURES/BENEFITS:

- Impact resistant material
- Easy to install
- Good hand clearance

MATERIAL:

- 20% Mineral Filled Polypropylene

FINISH:

- Standard black

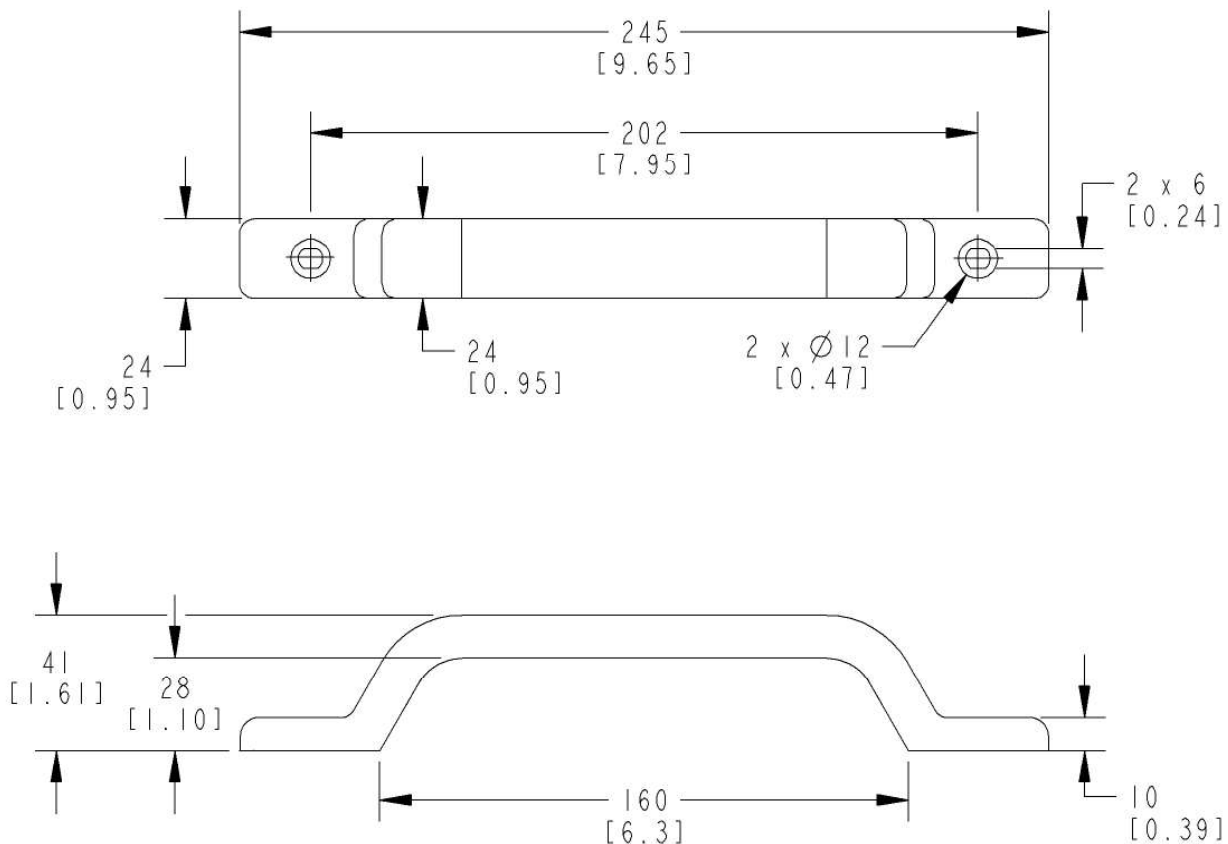
INSTALLATION:

- Easy to install
- (2) M5 pan head screw required for mounting (not supplied)



All dimensions are for reference only. For more information visit www.trimarkcorp.com

CAUTION: Grab handle is not designed for interior use.



Handles:

Grab
122