

Table of Contents



Rotating T & L

010-0100 Release Lever	112
010-0200 Non-Locking L-Handle	113
010-0300 Locking L-Handle	113
010-0600 Flush Mounted Pop-Up T-Handle	115
010-0700 Light Duty Compartment Latch	116
010-1000 Rotating Lever Handle	117
010-1100 TriGuard Heavy Duty Rotating Handle	118
010-7100 Window Handle - Single Position	119
010-7120 Window Handle - Double Position	120

Grab

020-0150 Grab Handle	121
020-7200 Grab Handle	122

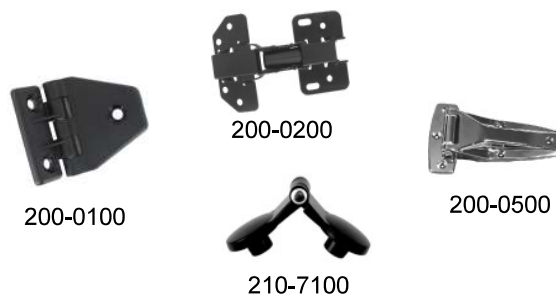
Linkages

Inside Release

020-0900 Remote Inside Release	123
020-0910 Inside Squeeze Release - Remote	124
020-0925 Squeeze Release With Assist Bar	125
090-0201 Push Button Linkage	126
090-0220 Pull Handle Linkage	126

Hinges

200-0100 Hinge Assembly - Plastic	128
200-0200 Cabinet Hinge	128
200-0500 Hinge Assembly	129
210-7100 Hinge Assembly - Aluminum	130



Radio Frequency (RF)

500-1000 e-ASK System	131
500-1100 e-FOB System	132
510-0250 e-ASK CAN IO and RF Module	133
530-0100 e-FOB Transmitter	134



540-0200



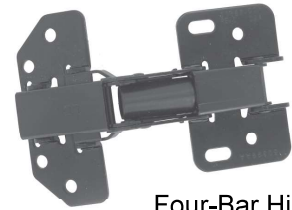
Keypad

540-0100 e-PAD Keypad	135
540-0125 e-PAD With Relays	136
540-0200 Lighted Grab Handle With Keypad (e-GRAB)	137

TriMark Hinges - from standard to custom

TriMark manufactures standard and custom hinges for world leading companies in the agriculture, construction, transportation and specialty vehicle markets and beyond. Our experience allows us to produce industrial hinges in plastic, steel and stainless steel materials, to suit light, medium and heavy duty requirements. If a standard off the shelf product will not suffice, we can custom-design and manufacture hinges to your exact specifications. TriMark's products include leaf/butt, four bar and barrel hinges with features such as free-swinging, positioning/detent, lift-off, articulated travel and dampened functionality.

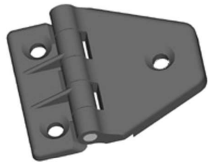
For more information please call 1-800-447-0343



Four-Bar Hinge



Custom Four-Bar Hinge



Leaf/Butt Hinge



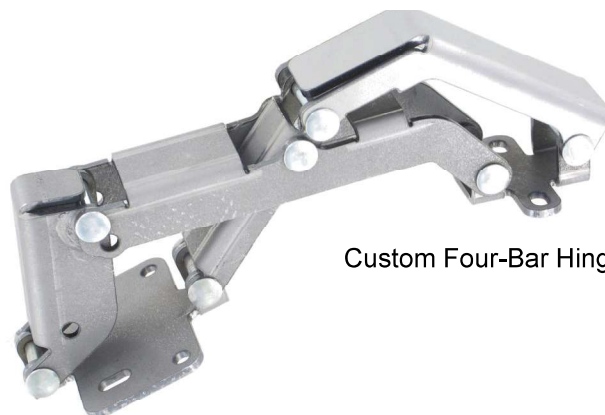
Custom Leaf/Butt Hinge



Custom Four-Bar Hinge



Custom Four-Bar Hinge



Custom Four-Bar Hinge

200-0100 Hinge Assembly - Plastic



This glass reinforced nylon leaf style hinge is designed for on or off-highway flush compartment, access doors or hinged windows. It can be surface mounted with grommets and spacers included to facilitate mounting on 5 or 6mm thick glass.

MATERIAL:

- Glass reinforced nylon - black

INSTALLATION:

- (3) 8mm flat or oval head mounting screws (not included)

Caution: Product does not meet the FMVSS 206 (ECE R11) load requirements.

200-0200 Cabinet Hinge

The 200-0200 Cabinet Hinge is a concealed hinge that surface mounts for ease of installation and totally hidden applications. The concealed hinge action has a rotational axis outside of the physical door (up and out) and provides for flush doors when closed.

FEATURES/BENEFITS:

- Spring-biased over-center detent holds the door in the open position and assists in closing action

MATERIAL:

- Robust, stamped steel construction

FINISH:

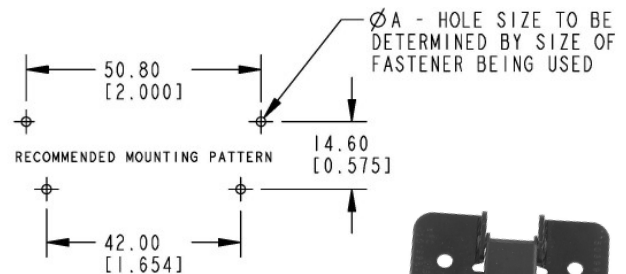
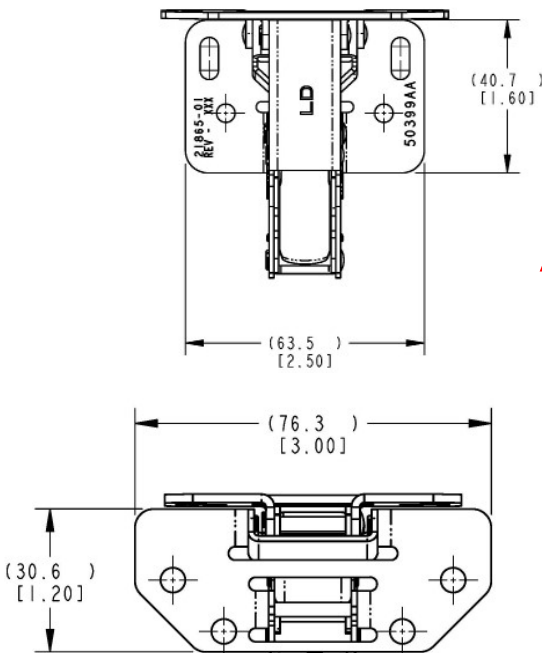
- Black e-coat

AVAILABLE:

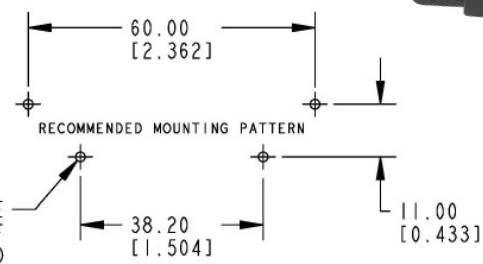
- Alternative mounting patterns
- Three versions:
 - ◊ Light duty 4 ± 1 lbf ($1.8 \pm .45$ kgf)
 - ◊ Heavy duty 33 lbf (15 kgf)
 - ◊ Heavy duty with dampener 33 lbf (15 kgf)
- Application assistance available — please inquire

INSTALLATION:

- Easy installation with (8) #8 or M4 fasteners (not included). Slotted mounting holes allow for tolerance and adjustability.



All dimensions are for reference only. For more information visit www.trimarkcorp.com



200-0500 Hinge Assembly

This sturdy zinc die cast leaf style hinge is designed for on or off-high-way flush compartment or access doors. It is available in a painted black finish and can be surface mounted or used with spacers to accommodate door offsets.

DESIGNED FOR:

- Service truck body doors and all flush compartment or access doors.

AVAILABLE:

- Surface mounted design (shown) or with spacers to accommodate offsets

MATERIAL:

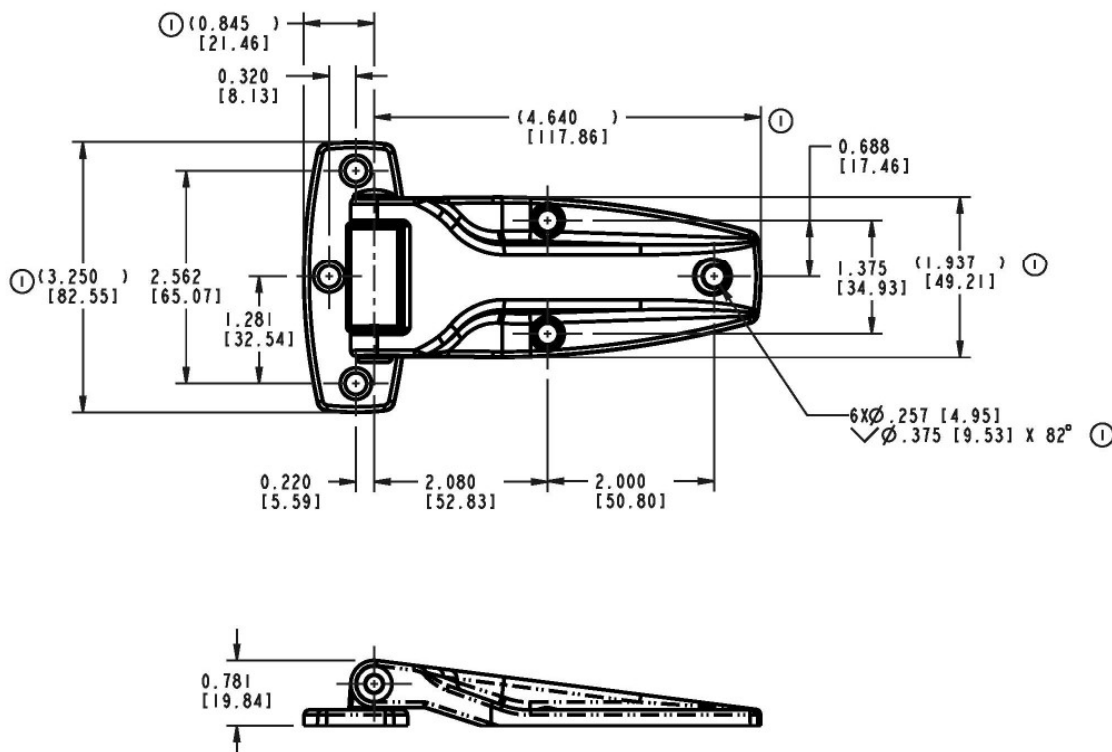
- Die cast zinc alloy
- Stainless steel hinge pin and nylon bushings

FINISH:

- Polished, buffed and copper-nickel-chrome plated
- Clear chromate (ready for paint)
- Electrostatically applied paint or powder coated

INSTALLATION:

- (6) #10 flat or oval head steel mounting screws (not included)



All dimensions are for reference only. For more information visit www.trimarkcorp.com

210-7100 Hinge Assembly - Aluminum

This aluminum hinge is designed for light-duty off-highway vehicle applications on storage compartments or hinged windows.

FEATURES/BENEFITS:

- Designed to be used vertically mounted with same type of fixing at both ends
- Mounting configuration (2) M8 bolt, 76mm (3.00") mounting pattern

MATERIAL/FINISH:

- Die cast aluminum material
- Black or grey powder coated

INSTALLATION:

- Installs with either suitable M8 fixing bolts or mushroom caps for glass mounting (not included)
- Recommended mounting fastener torque to be 6.7 - 7.9 N-m (59 to 70 in-lbs.)



All dimensions are for reference only. For more information visit www.trimarkcorp.com

