

# Doorbell Controller Fix for Monaco RVs

## Using this Guide

Some Monaco RVs (includes *Monaco, Holiday Rambler, Beaver, and Safari*) with the Doorbell version of the TriMark eGRAB Handle or the embedded ePAD have the doorbell button of the keypad directly connected to the doorbell device inside the RV. The type of doorbell being controlled by the keypad requires much more than the 2 Amps that the keypad is rated for, and will eventually destroy the keypad. To prevent this from happening, or to retrofit a replacement so that it does not happen again, a relay must be installed to electrically isolate the keypad from the doorbell.

## Finding the Doorbell Wiring

The wire connecting the doorbell to the keypad must be traced to ensure that there is not already a relay in place. If there is already a relay in the doorbell control wire, and the doorbell system has failed, then the relay may be faulty and should be replaced instead of, or in addition to, the keypad.

The best place to start is at the doorbell. If the doorbell cannot be found, contact the manufacturer of the RV to determine where the likely mounting locations are. If the doorbell is still functional, triggering the doorbell can aid in locating it, but each time the doorbell is activated without this problem fixed greatly reduces the life expectancy of the keypad.



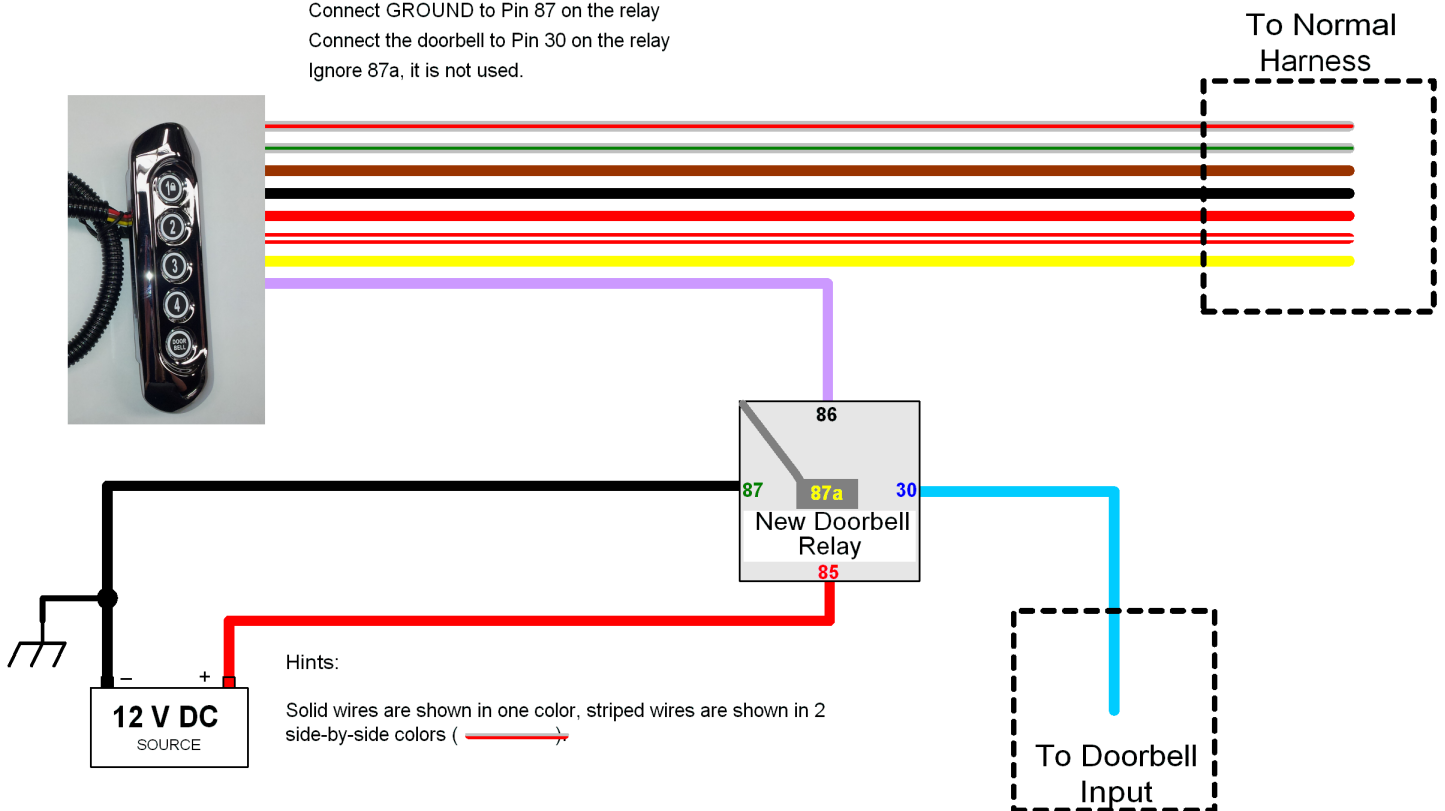
# Doorbell Controller Fix for Monaco RVs

## Modifying the Doorbell Wiring

1. Cut the wire connecting the keypad to the doorbell near an area that can conveniently mount a relay, such as near a hidden wall or electrical cabinet.
2. Run a +12V and a Ground wire to the location where the relay will be mounted.
3. Wire the relay according to the schematic below.
4. Test the doorbell for proper operation with the keypad.

## Wiring Diagram - Doorbell Keypad Doorbell Output

Notes: Cut the purple wire from the rest of the harness and route it to Pin 86 on the new relay  
Connect +12V to Pin 85 on the relay  
Connect GROUND to Pin 87 on the relay  
Connect the doorbell to Pin 30 on the relay  
Ignore 87a, it is not used.



# Doorbell Controller Fix for Monaco RVs



## **TriMark Corporation**

500 Bailey Avenue  
P.O. Box 350  
New Hampton, IA 50659  
United States  
Tel: +1 641 394 3188  
Fax: +1 641 394 2392  
E-mail: [tips@trimarkcorp.com](mailto:tips@trimarkcorp.com)  
[www.trimarkcorp.com](http://www.trimarkcorp.com)

## **TriMark Europe Limited**

Cedar Court  
Walker Road  
Bardon Hill  
Coalville, LE67 1TU  
United Kingdom  
Tel: +44 (0) 1530 512460  
Fax: +44 (0) 1530 512461  
E-mail: [sales@trimarkeu.com](mailto:sales@trimarkeu.com)  
[www.trimarkeu.com](http://www.trimarkeu.com)

## **TriMark (Xuzhou)**

### **Automotive Components Co. Ltd**

Standard Factory Building A5  
Jingwu Road  
Xuzhou Economic Development Zone  
Xuzhou, Jiangsu, 221004 PR China  
Tel: +86 516 8773 0018  
Fax: +86 516 8773 0058  
E-mail: [sales@trimarkcn.com](mailto:sales@trimarkcn.com)  
[www.trimarkcn.com](http://www.trimarkcn.com)