

Table of Contents



Rotating T & L

010-0100 Release Lever	112
010-0200 Non-Locking L-Handle	113
010-0300 Locking L-Handle	113
010-0600 Flush Mounted Pop-Up T-Handle	115
010-0700 Light Duty Compartment Latch	116
010-1000 Rotating Lever Handle	117
010-1100 TriGuard Heavy Duty Rotating Handle	118
010-7100 Window Handle - Single Position	119
010-7120 Window Handle - Double Position	120

Grab

020-0150 Grab Handle	121
020-7200 Grab Handle	122

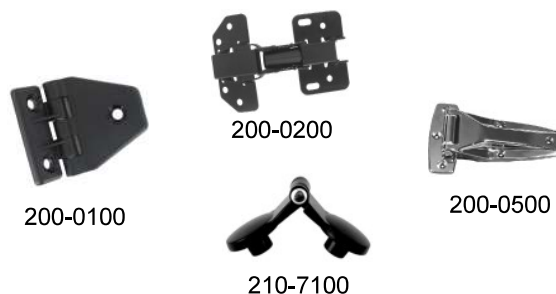
Linkages

Inside Release

020-0900 Remote Inside Release	123
020-0910 Inside Squeeze Release - Remote	124
020-0925 Squeeze Release With Assist Bar	125
090-0201 Push Button Linkage	126
090-0220 Pull Handle Linkage	126

Hinges

200-0100 Hinge Assembly - Plastic	128
200-0200 Cabinet Hinge	128
200-0500 Hinge Assembly	129
210-7100 Hinge Assembly - Aluminum	130



Radio Frequency (RF)

500-1000 e-ASK System	131
500-1100 e-FOB System	132
510-0250 e-ASK CAN IO and RF Module	133
530-0100 e-FOB Transmitter	134



Electrical/Electronic



540-0200



Keypad

540-0100 e-PAD Keypad	135
540-0125 e-PAD With Relays	136
540-0200 Lighted Grab Handle With Keypad (e-GRAB)	137

020-0900 Remote Inside Release

This product was specifically designed for off-highway vehicle applications including agricultural and construction equipment that require a remote inside release. The robust construction is incorporated into round tubing for support for the opening and closing functions of the door and provides for greater ease of operation (ergonomics) over direct releases.

- Medium to heavy weight doors for off-highway vehicle applications
- Doors where it is desirable to have the inside release remotely located to the latch location

FEATURES/BENEFITS:

- Robust designed remote inside release is incorporated into round tubing which gives additional door structure support and assistance for the opening and closing functions of the door
- Provides for greater ease of operation (ergonomics). The inside release can be positioned at any point along the tube for convenient location to suit the door/cab design over direct lever releases
- The inside release is connected by a rod to the latch and includes an integrated return spring
- The cam detail in the inside release is reversible allowing the inside release to be actuated in the opposite direction providing flexibility in the product application

AVAILABLE:

- As an inside release sub-assembly for installation into your door tube. (TriMark 020-0910 Inside Squeeze Release—Remote) (Note: Requires TriMark application assistance and approval.)
- In 25mm (.98") steel tubing diameters, painted black
- In different tubing lengths with various inside release positions and 90 degree mounting end



- Customization is available including formed tubing (please inquire)
- As a complete modular system including exterior handle, direct release latch, latch striker, inside release, gaskets, mounting brackets, latch cover, door tube and all necessary fasteners

MATERIAL/FINISH:

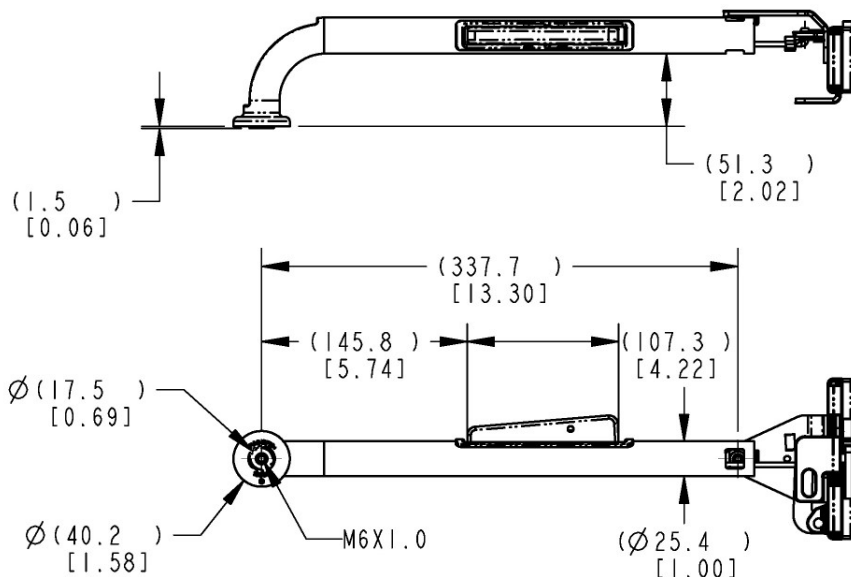
- Inside release components: glass reinforced nylon
- Tubing: painted steel
- Mounting end: glass-reinforced nylon with brass threaded insert

INSTALLATION:

- Easy to install - can be provided with tubing pre-fastened to latch that requires a single fastener at the mounting end to secure the assembly to the door or the inside release can be supplied as a sub-assembly that easily installs into your door tube
- Tubing assembly - installs with a single M6 X 1.0 bolt. Glass mounting is also possible with available mushroom window fixing designed for 5-6mm glass thickness. Recommended mounting fastener torque to be 3.3 - 4.5N-m (30-40 lbf-in)
- The 020-0910 inside release sub-assembly installs without tools into the pipe and includes a flange that covers the tubing cutout

U.S. Patent No. 7,198,308 and 7,111,879

Caution: Product does not meet the locking requirements for FMVSS 206 (ECE R11).



All dimensions are for reference only. For more information visit www.trimarkcorp.com

020-0910 Inside Squeeze Release - Remote

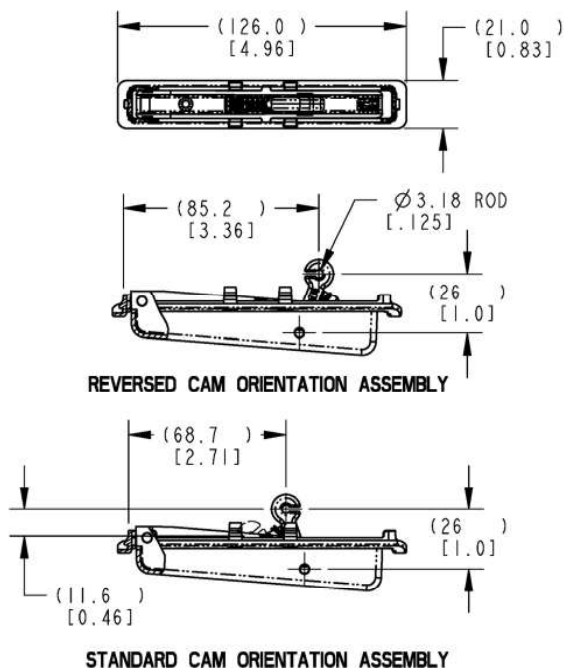
This product was specifically designed for off-highway vehicle applications including agricultural and construction equipment that require a remote inside release that mounts into an existing tubing provided by the customer.

- Medium to heavy weight doors for off-highway vehicle applications
- Doors where it is desirable to have the inside release remotely located to the latch location
- Use with 25mm (.98") diameter steel tubing—customer provided

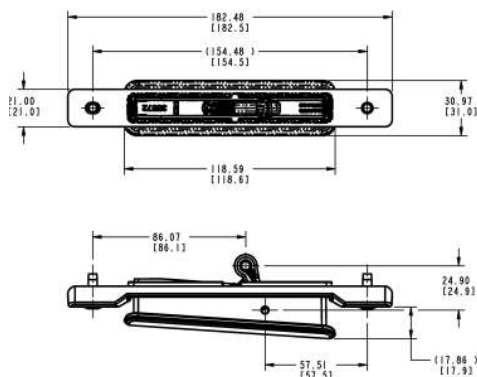
FEATURES/BENEFITS:

- The inside release can be positioned at any point along the tube for convenient location to suit the door/cab design over direct lever releases
- Non-handed design is adaptable for door on either side of vehicle
- The inside release is connected by a rod or cable to the latch and includes an integrated return spring
- The cam detail in the inside release is reversible allowing the inside release to be actuated in the opposite direction providing flexibility in the product application

Version 1



Version 2



- Two versions available;
 - ◊ Version 1 installs without tools and snaps in the tubing
 - ◊ Version 2 requires (2) M5 thread forming cap screws and provides an anti-pinch squeeze handle

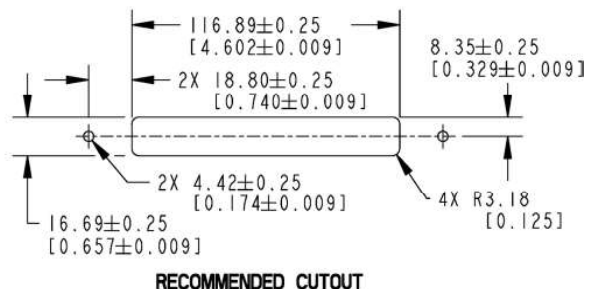
MATERIAL:

- Inside release components: Glass reinforced nylon

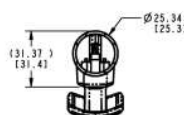
INSTALLATION:

- The inside release sub-assembly installs into the pipe and includes a flange that covers the tubing cutout
- Version 1 snaps in the tubing
- Version 2 requires (2) M5 thread-forming cap screws

Caution: Product does not meet the locking requirements for FMVSS 206 (ECE R11).



All dimensions are for reference only. For more information visit www.trimarkcorp.com



020-0925 Squeeze Release With Assist Bar

This product was specifically designed for off-highway vehicle applications including agricultural and construction equipment that requires a remote inside release. The robust construction is incorporated into round tubing with 90 degree ends for ease of mounting onto a flat door panel. It also provides support for the opening and closing functions of the door and greater ease of operation (ergonomics) over direct releases.

DESIGNED FOR:

- Medium to heavy weight doors where it is desirable to have an assist-bar in conjunction with a cable-driven latch release

FEATURES/BENEFITS:

- Robust squeeze release is incorporated into round tubing for support of the opening and closing functions of the door
- Provides ease of operation (ergonomics). The squeeze release can be rotated within the tube for convenient location to suit the door design
- The cam detail in the inside release is reversible allowing the inside release to be actuated in the opposite direction providing flexibility in the product application

AVAILABLE:

- Right and left hand configuration
- Adaptable for doors on either side of vehicle
- For different tube lengths, consult TriMark engineering
- Squeeze release is adaptable to several different latch platforms and customization is available
- Individual system components can be supplied separately as needed for installation into customer-specific door designs (TriMark 020-0910 Inside Squeeze Release - Remote)



MATERIAL/FINISH:

- Inside release components: Glass reinforced nylon
- Tubes: Painted steel
- Mounting end: Glass-reinforced nylon

INSTALLATION:

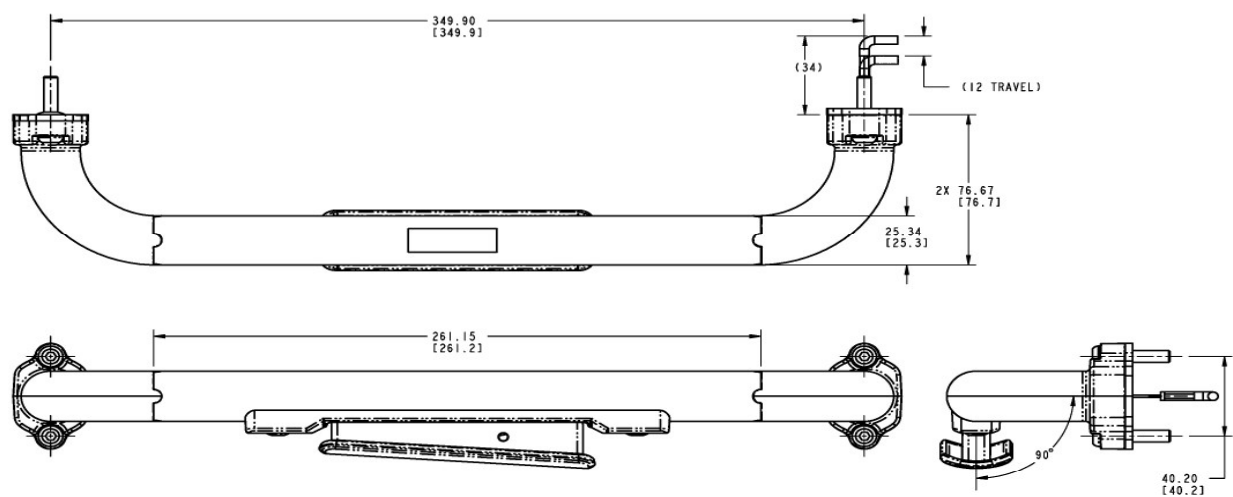
- Tubing assembly—installs with (4) M6 x 1.0 fasteners (supplied)
- The 020-0910 Inside Release sub-assembly installs with (2) M5 thread forming cap screws into the pipe and includes a flange that covers the tubing cutout

U.S. Patent No. 8,011,699

Caution: Product does not meet the locking requirements for FMVSS 206 (ECE R11).

All dimensions are for reference only. For more information visit www.trimarkcorp.com

OTHER HANDLE ROTATIONS ARE POSSIBLE, PLEASE CONTACT TRIMARK ENGINEERING FOR MORE OPTIONS



090-0201 Push Button Handle Linkages

This linkage is designed for light to medium duty applications for off-highway entrance doors requiring latch location remote from activating push button handles. These linkages provide ease of mounting for remote rod applications.

DESIGNED FOR:

- Off-highway vehicle applications - construction, mining, agricultural, forestry
- Applications that require the latch location to be remote from the push button handle

FEATURES/BENEFITS:

- Provides a linkage option that facilitates linkage connection and ease of mounting for remote push button handle applications

AVAILABLE:

- In right or left hand configurations
- In a variety of bell cranks and mounting configurations



MATERIAL:

- Linkage components: Zinc plated, mild steel

FINISH:

- Zinc plated, clear chromate steel components

090-0220 Pull Handle Linkages

This linkage is designed for light to medium duty applications for off-highway entrance doors requiring latch location remote from activating pull handles. Available with and without an integrated inside release lever these linkages provide ease of mounting for remote rod and cable applications.

DESIGNED FOR:

- Off-highway vehicle applications - construction, mining, agricultural, forestry
- Applications that require the latch location to be remote from the pull handle

FEATURES/BENEFITS:

- Provides a linkage option that facilitates linkage connection and ease of mounting for remote pull handle applications

AVAILABLE:

- In right or left hand configurations
- In a variety of bell cranks and mounting configuration
- Available with an integrated inside release lever



MATERIAL:

- Linkage components: Zinc plated, mild steel

FINISH:

- Zinc plated, clear chromate steel components