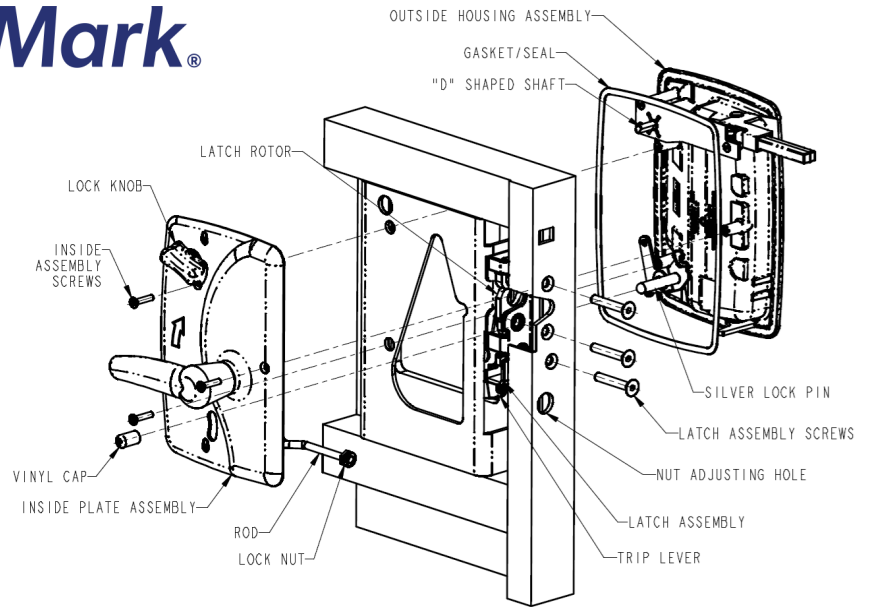
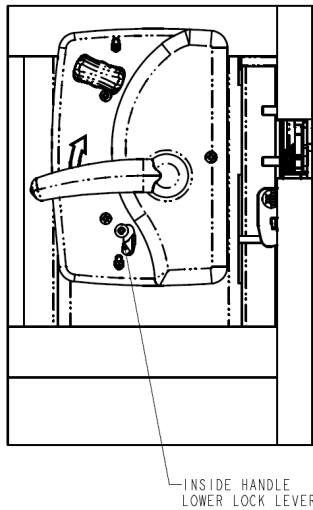


Metal Door

030-0900 Motor Home Entrance Door Hardware Latch Adjustment



METAL DOOR CONFIGURATION

Nut Adjustment for BOTH Metal Door and Foam Core Door

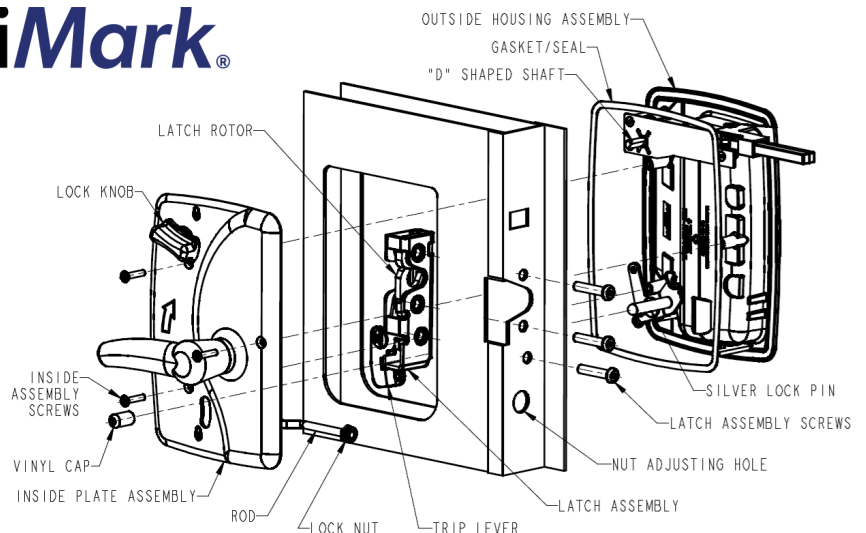
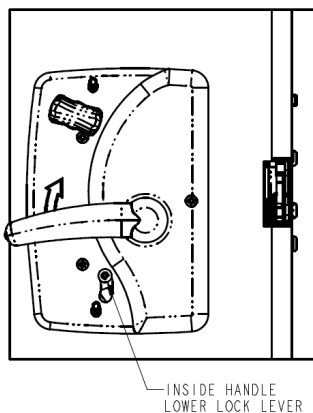
1. Close the latch rotor
2. Lock the handle from the inside (using the lower manual lock lever)
3. While pulling up on the inside handle, manually (no power) turn the nut clockwise until the latch releases
4. Manually turn the nut counterclockwise 1-1/4 to 1-1/2 turns
5. Unlock the door and open the door from the inside handle. The latch should release before the inside handle reaches maximum travel.
6. CHECK TO MAKE SURE THE INSIDE HANDLE DOES NOT OPEN THE DOOR WHEN IT IS LOCKED

This user manual provides the necessary information for the proper adjustment between the Inside release and rotary latch for TriMark's 030-0900 Motor Home Entrance Door Hardware. TriMark makes every attempt to assure that information contained in this User Manual is correct and accurate; however, changes in design, dimensions and specifications may occur at any time and without notice. Shown are two typical door constructions, product photos and illustrations may vary from your specific application.

For technical support, call 1-800-447-0343 or log on to our website at www.trimarkcorp.com.

Foam Core Door

TriMark Corp.
1-800-447-0343
www.trimarkcorp.com



FOAM CORE DOOR CONFIGURATION