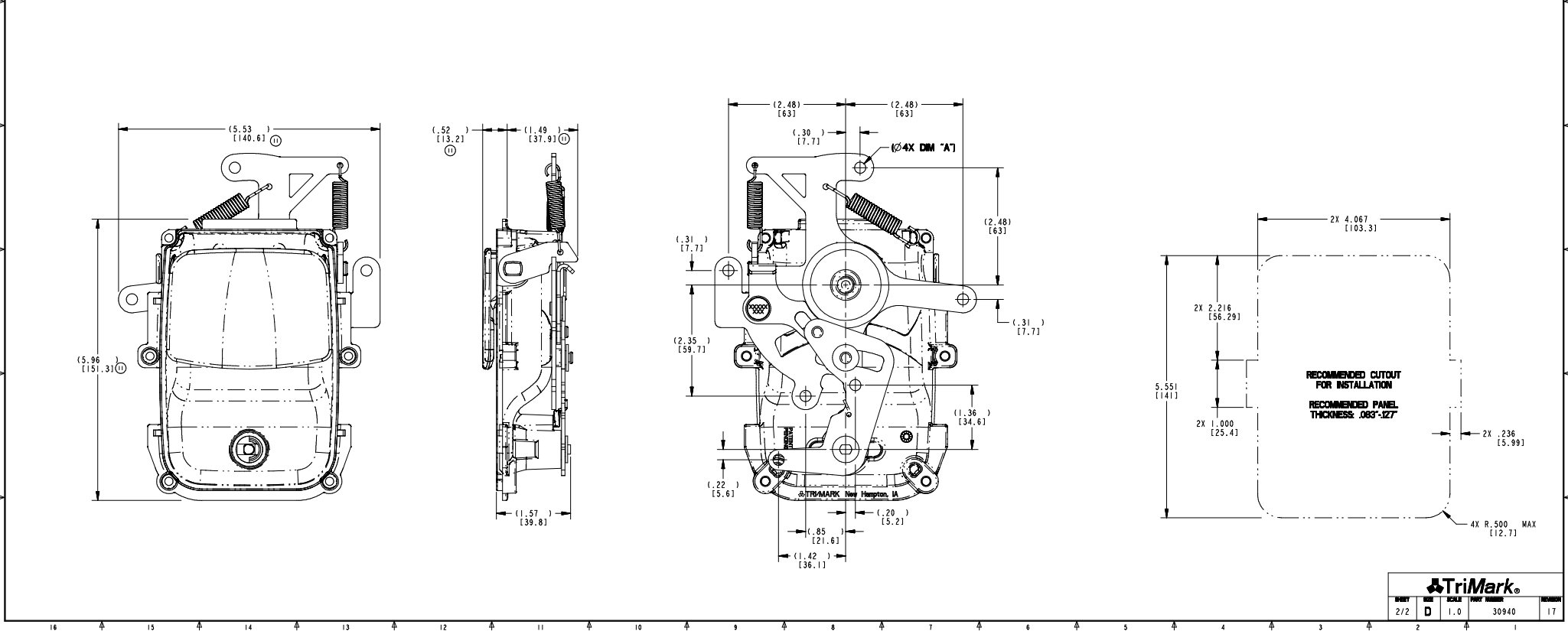


PART NUMBER DESCRIPTION	ITEM 1 HOUSING (QTY)	ITEM 2 BUSHING (QTY)	ITEM 3 PLATE (QTY)	ITEM 4 PIVOT (QTY)	ITEM 5 RIVET (QTY)	ITEM 6 BUSHING (QTY)	ITEM 7 WASHER (QTY)	ITEM 8 WASHER (QTY)	ITEM 9 PADDLE (QTY)	ITEM 10 SPRINGS (QTY)	ITEM 11 AXLE (QTY)	ITEM 12 BUSHING (QTY)	ITEM 13 BUSHING (QTY)	ITEM 14 DRIVE (QTY)	ITEM 15 WASHER (QTY)	ITEM 16 ACTR (QTY)	ITEM 17 LOCK CAM (QTY)	ITEM 18 RIVET (QTY)	ITEM 19 SC SPR (QTY)	ITEM 20 SPRING (QTY)	ITEM 21 SPRING (QTY)	ITEM 25 LOCK (QTY)	ITEM 26 GASKET (QTY)	ITEM 27 TAPE (QTY)	ITEM 28 BUMPER (QTY)	ITEM 29 KEY (QTY)	ITEM 30 FILM (QTY)	FINISH (FOR REFERENCE ONLY)	DIM "A"	PART MARKING
30940-01 030-1875,RH,LGB,1022,4PT.,237	30941-01 (1)		32413-01 (1)						33855-01 (1)													16014-02-1022 (1)				16169-02-1022 (1)	N/A	PAINT, BLACK, LOW GLOSS OVER E-COAT	Ø .237	30940
30940-02 030-1875,RH,CNNC,1022,4PT.,237	30941-02 (1)		32413-02 (1)																			16014-02-2002 (1)				N/A	PLATE, COPPER-NICKEL-NICKEL-CHROME	Ø .250		
30940-03 030-1875,RH,CNNC,2002,4PT.,237									33855-02 (1)													16014-02-1022 (1)			20711-01 (1)		HSG-PAINT, BLACK, LOW GLOSS OVER E-COAT	Ø .237		
30940-04 030-1875,LGB/CNNC,RH,1022,4PT																						16014-02-1001 (1)			16169-02-1022 (1)	N/A	PDL-PLATE, COPPER-NICKEL-NICKEL-CHROME			
30940-06 030-1875,RH,LGB/CNNC,1001,4PT																						91900-0751-0000 (1)	16025-01 (1)	20058-01 (1)	35472-01 (1)	14472-02-1003 (1)	N/A	PAINT, BLACK, LOW GLOSS OVER E-COAT		
30940-08 030-1875,RH,LGB/CNNC,CH751,4PT	30941-01 (1)	30944-01 (2)		30949-01 (1)	23762-01 (1)	16685-01 (1)	15951-01 (1)	30945-01 (1)	33855-01 (1)	30947-01 (2)	30951-01 (1)	80796 (1)	80797 (1)	30948-01 (1)	81773-15 (2)	16022-01 (1)	30961-01 (1)	30833-01 (1)	80719-57 (1)	25614-01 (1)	33581-01 (1)						N/A	PAINT, BLACK, LOW GLOSS OVER E-COAT		
30940-09 030-1875,RH,LGB,2002,4PT.,237			32413-01 (1)																			16014-02-2002 (1)					HSG-PAINT, BLACK, LOW GLOSS OVER E-COAT			
30940-10 030-1875,RH,LGB/CNNC,1M202,4PT									33855-02 (1)													91200-0202-0000 (1)			20711-01 (1)		PDL-PLATE, COPPER-NICKEL-NICKEL-CHROME			
30940-11 030-1875,RH,CNNC,2001,4PT,237	30941-02 (1)																					31684-01 (1)					PLATE, COPPER-NICKEL-NICKEL-CHROME			
30940-12 030-1875,RH,LGB,1001,4PT.,237	30941-01 (1)																					16014-02-1001 (1)					PAINT, BLACK, LOW GLOSS OVER E-COAT			
30940-13 030-1875,RH,LGB,2001,4PT.,237																						31684-01 (1)								



TriMark
 SHEET 2/2
 SIZE D
 SCALE 1.0
 PART NUMBER 30940
 REV 17

