

# 010-1100 TriGuard Heavy Duty Rotating Handle



This robust exterior L-handle features modular construction that allows for customization, including the use of light weight materials without sacrificing strength. The handle also allows for use of a padlock for security

- Entrance and rear door application for heavy-duty vehicles
- Interior and exterior applications
- Medium to heavy duty doors of 23-455kg (50-1000 lbs.)

#### **FEATURES/BENEFITS:**

- Heavy duty modular construction
- Padlockable for additional security or non-locking versions available
- Modular construction allows for serviceable handle components disassembly



**TriMark Corporation**  
500 Bailey Avenue  
P.O. Box 350  
New Hampton, Iowa 50659  
United States  
Tel: 641-394-3188  
Fax: 641-394-2392  
1-800-447-0343  
[www.trimarkcorp.com](http://www.trimarkcorp.com)

10002707 QM08 ISO 9001: 2008  
10002707 TS09 ISO/TS 16949: 2009



TriMark Corporation

**TriMark Europe**  
Cedar Court  
Walker Road  
Bardon Hill  
Coalville LE67 1TU  
United Kingdom  
Tel: +44(0)1530 512460  
Fax: +44(0)1530 512461  
[www.trimarkeu.com](http://www.trimarkeu.com)

427961 QM08 ISO 9001 : 2008  
427961 UM ISO 14001 : 2004



TriMark Europe Ltd.

**AVAILABLE:**

- Standard steel handle version or available with lightweight aluminum handle
- Right or left hand rotation versions available
- Customization features available. Please inquire
  - ◆ Mounting details—door thickness
  - ◆ Length of handle
  - ◆ Handle materials

**MATERIAL:**

- Standard — high strength steel construction
- Available with advanced lightweight aluminum alloy handle

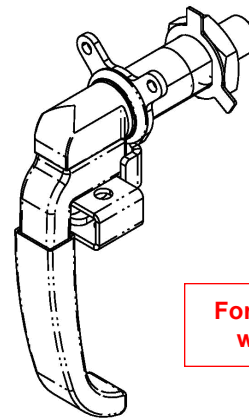
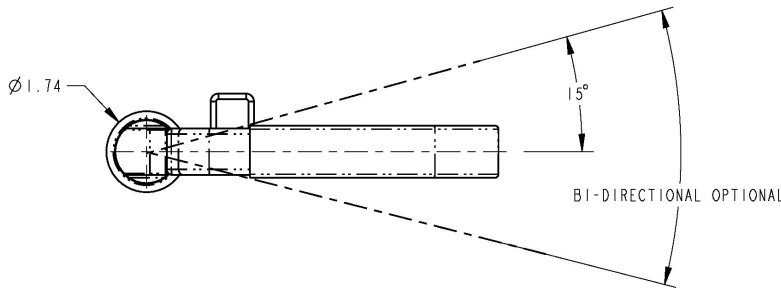
**FINISH:**

- Standard low gloss black powder coated
- Mil-Spec soft grip nylon coated handle
- 1000 hour corrosion protection
- Optional finishes available including: Black Magni™ coating, Tan/Olive CARC paint and Tan/Olive powder coating

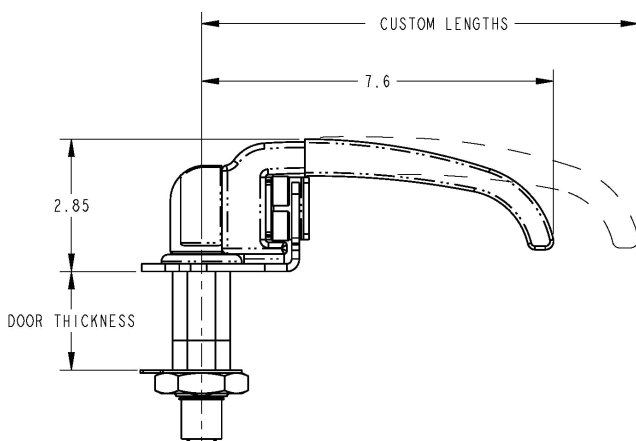
**INSTALLATION:**

- Easy to install, mounts with single 1.250—20 UN threaded nut
- Tighten to the manufacturers' recommended torque value, however, do not exceed 405 N-m (295 ft-lb)
- Mounting nut and lock washer included

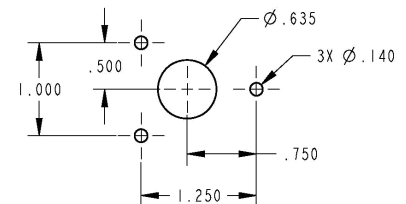
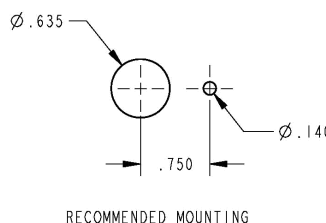
Individual part dimensions are for reference only. Refer to individual part drawings for complete dimensions, specifications, and installation procedures. Engineering assistance and application drawings are available.



For more information visit  
[www.trimarkcorp.com](http://www.trimarkcorp.com)



ISO VIEW



(OPTIONAL MOUNTING)