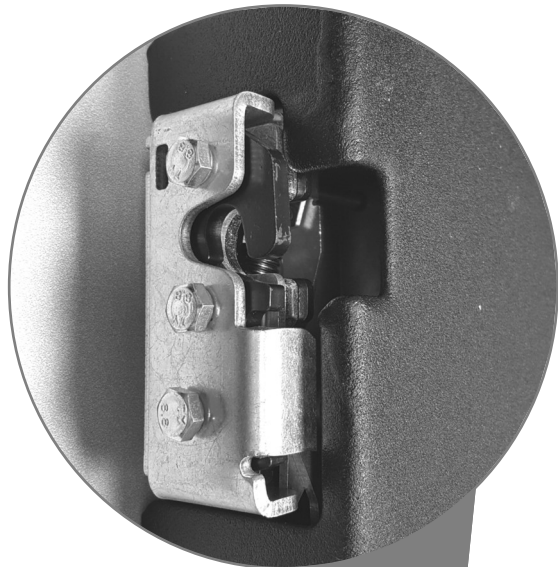
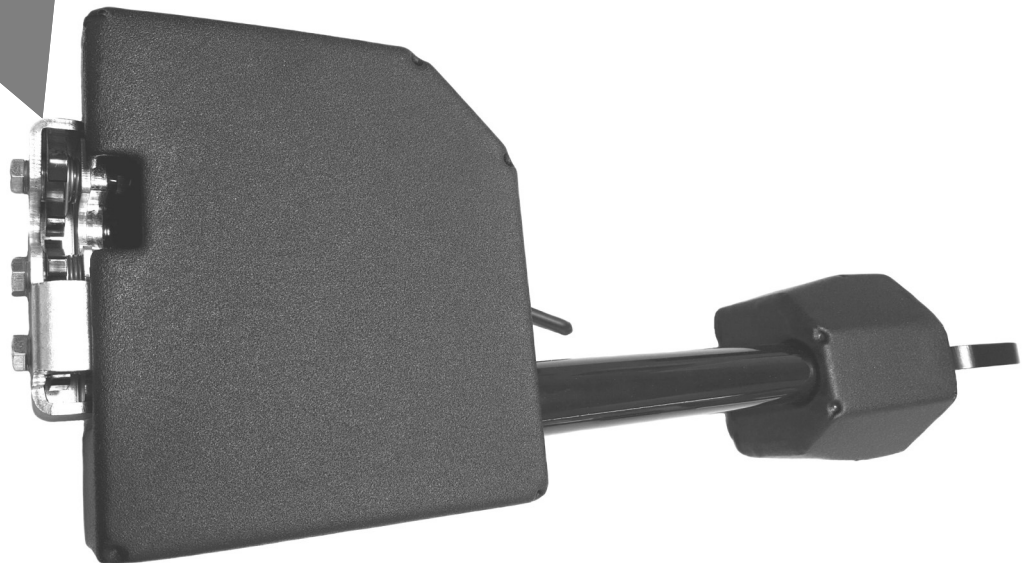


100-5020
TriGuard Heavy Duty
Door Module - V2



This heavy duty, pre-engineered door module was updated to provide expanded functionality. Providing automotive-like functionality in a low profile, easy to install one-piece module, it is now available with a rotating lever exterior handle and a second remote latch. Featuring TriMark's 050-1600 Heavy Duty Latch, it allows power locking and is compliant to FMVSS206 (ECE R11) strength requirements.



TriMark Corporation
500 Bailey Avenue
P.O. Box 350
New Hampton, Iowa 50659
United States
Tel: 641-394-3188
Fax: 641-394-2392
1-800-447-0343
www.trimarkcorp.com

10002707 QM08 ISO 9001: 2008
10002707 TS09 ISO/TS 16949: 2009
UL
TriMark Corporation

TriMark Europe
Cedar Court
Walker Road
Bardon Hill
Coalville LE67 1TU
United Kingdom
Tel: +44(0)1530 512460
Fax: +44(0)1530 512461
www.trimarkeu.com

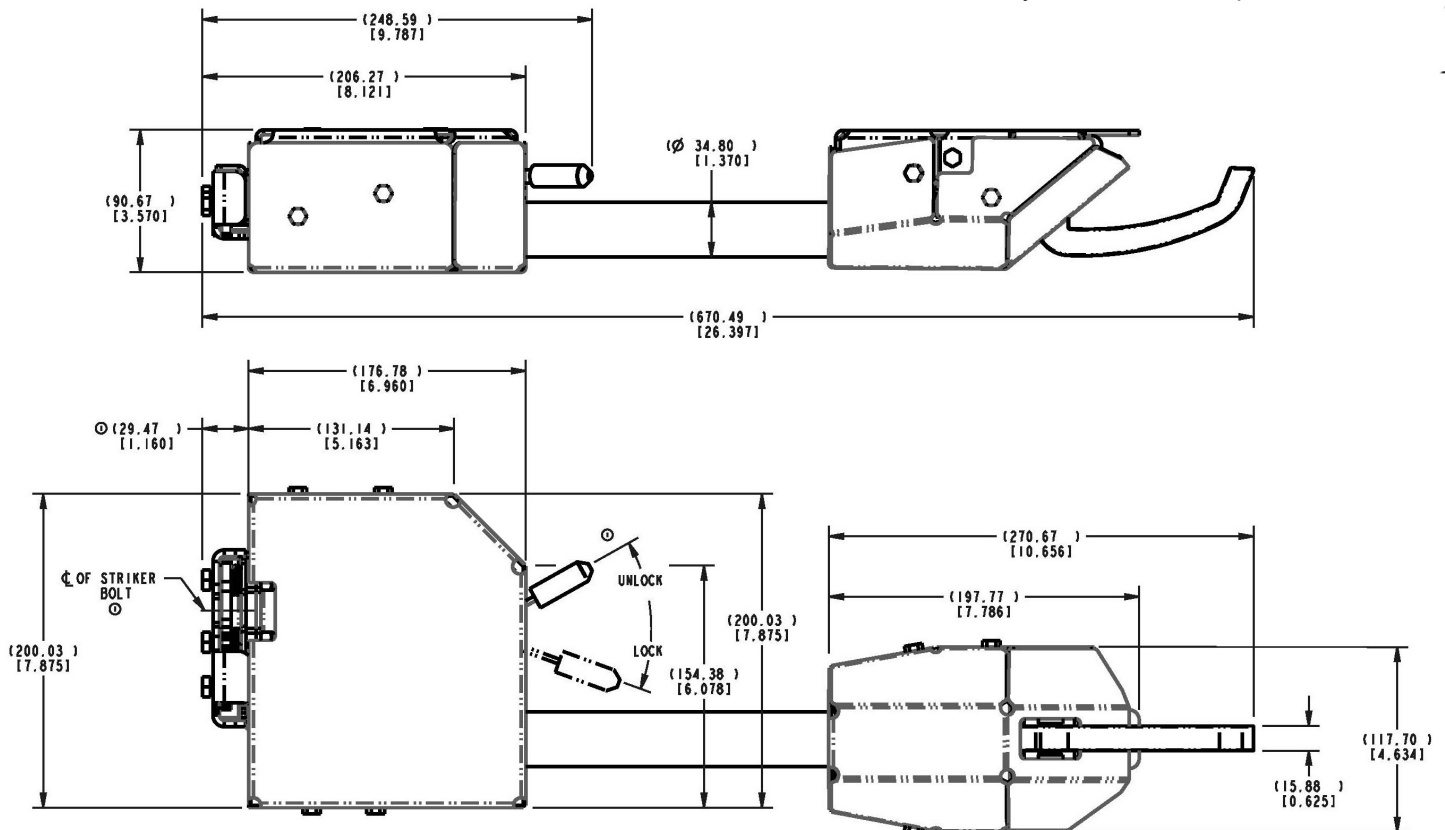
427961 QM08 ISO 9001 : 2008
427961 UM ISO 14001 : 2004
UL
TriMark Europe Ltd.

FEATURES/BENEFITS:

- Heavy duty modular construction is shipped fully assembled and tested
- Cuts door assembly time by as much as 50% to 70% - improving vehicle cost and throughput
- Improved serviceability in the field and ability to retrofit into existing flat door applications
- Interior locking mechanism provides additional safety for occupants
- Single motion egress
- Incorporates TriMark's proven 050-1600 Heavy Duty Latch
- Integrated weight support system – designed for heavy-duty doors up to 227kg (500 lbs.)
- Designed to be used with TriMark's 040-0600 TriMount Push Button Handle or 010-1000 Rotating Lever Handle

AVAILABLE:

- Remote or integrated exterior handle options (integrated version shown)
 - ◊ Exterior handle options—push button handle or rotating L handle
- Right or left hand versions (left hand shown)
- Latch and striker available with self-aligning “slam cam” to compensate for door sag on heavy doors
- Remote second rotary latch to facilitate tall or heavy doors
- Optional power lock actuation provides reliable function and automotive convenience
- Customization features available. Please inquire:
 - ◊ Mounting details
 - ◊ Length of grab bar
 - ◊ Exterior handle type
 - ◆ 040-0600 Push Button Handle with KeyOne™ Plus locking or 010-1000 Rotating Lever Handle with offset modifications, bolt-on, pinned or integrated wrench for system override requirement



FINISH:

- Standard low gloss black powder coated
- Mil-Spec soft grip nylon coated covers and grab handle
- Robust corrosion protection
- Optional finishes available including: Black Magni™ coating, Tan/Olive CARC paint and Tan/Olive powder coating

INSTALLATION:

- Easy to install, mounts with (7) M8 X 1.25 (5/16-18 UNC) class 8.8 fasteners
- Tighten to the manufacturers' recommended torque value

U.S. Patent No. 8,091,933

Individual part dimensions are for reference only. Refer to individual part drawings for complete dimensions, specifications, and installation procedures. Engineering assistance and application drawings are available.

Applications of this system may fall within the requirements of FMVSS 206 and SAE J839 safety standards. These safety related requirements are dependent on door application, e.g. front and rear hinged doors, sliding doors, or hinged upward swinging doors. The entire door hardware system must be included in the design/analysis process latch, handle, lock mechanism, cables/rods/linkages, fasteners, hinges, etc. This ensures compatibility of all components within the hardware system. If FMVSS 206 is a requirement, then all of the components within the door system must comply with strength, inertia and locking requirements as specified within the Standard. Note that this product complies with FMVSS 206 when tested in accordance with SAE J839 and that this system meets FMVSS 206 loads and locking requirements and may be used in FMVSS 206 applications pending TriMark application approval.

