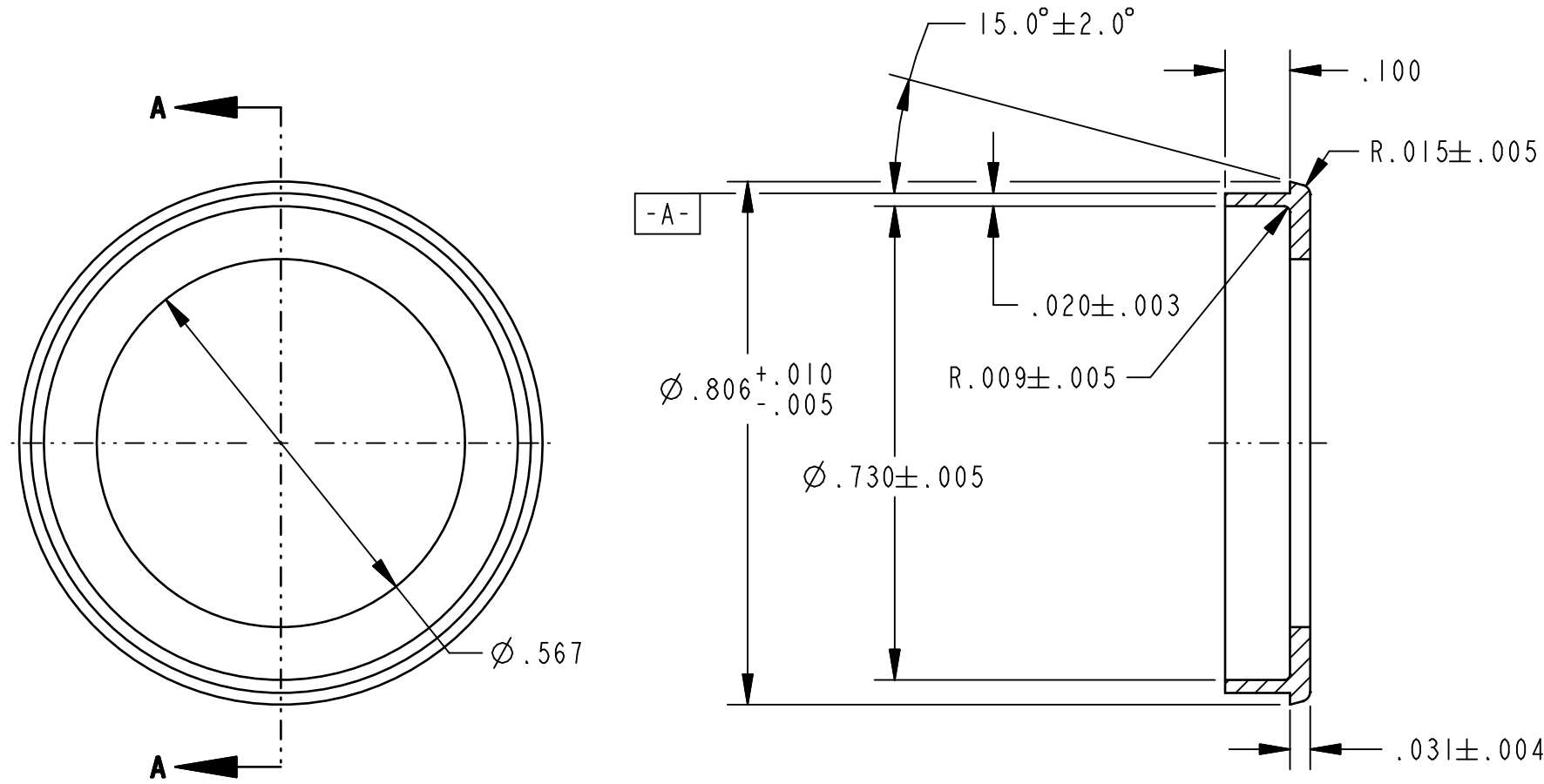



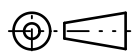
REV.	ECN	BY	CHKD	REVISION
0	RLSE	CML 12/3/98	KTT 12/4/98	RELEASED FOR PRODUCTION



SECTION A-A

NOTES:

- 1 CERTIFICATION REQUIRED SHOWING P.O. NUMBER, PART NUMBER AND MATERIAL PROPERTIES.
2. .020 MAX. GATE PROTRUSION ALLOWABLE ON SURFACE A.

SPEC		DESCRIPTION	ITEM	PART NO.	DESCRIPTION	QTY.
DRAWN BY	JMH	4/10/98	MATL.	PLASTIC, TPE, SANTOPRENE, 121-73W175, DUROMETER 73 SHORE A	 TRI/MARK ® AN EMPLOYEE-OWNED CORPORATION Industrial Park New Hampton, Iowa 50659 Telephone: 515-394-3188 Fax: 515-394-2392	
CHECKED BY	JJH	4/10/98	HEAT TREAT			
DESIGN ENG.	KTT	12/4/98	FINSH	NO FINISH		
MFG. ENG.			PROJECT	97082		
QUALITY ENG.			CUSTOMER		CUSTOMER PART NO.	
TOLERANCES UNLESS OTHERWISE SPECIFIED ANSI Y14.5M-1982 DIMENSIONS ANGLES X.X = ±.1 X° = ±3° X.XX = ±.03 X.X° = ±1.0° X.XXX = ±.010 X.XX° = ±.50°			SIZE	PART WT.	SURFACE AREA	PROD CODE
 INCH [METRIC]			B			
FORM 163-210 REV. 1.0 10/15/93			REPORT ERRORS TO ENGINEERING DEPT.		DO NOT SCALE DRAWING	
PART NAME					SEAL, .567 DIA	
SCALE	REV.	PART NO.				
4:1	0	16025-01				