

020-0800 Surface Mounted Pull Handle



DESIGNED FOR:

- Medium to heavy weight doors for off-highway vehicle applications
- Doors with high door seal loads or applications where a surface mounted pull type handle is more desirable than a push button or paddle handle

FEATURES/BENEFITS:

- Full gloved hand clearance
- Exterior surface mount along with the configuration of the actuator allows for mounting in any orientation
- Provides for greater ease of operation (ergonomics) than conventional push button or paddle handles
- Readily adaptable to a variety of door thickness with adjustable connecting link assembly
- Handle is rigid when locked



500 Bailey Avenue
P.O. Box 350
New Hampton, Iowa 50659
United States
Tel: 641-394-3188
Fax: 641-394-2392
1-800-447-0343
www.trimarkcorp.com



TriMark Europe, Ltd.

Cedar Court
Walker Road
Bardon Hill
Coalville LE67 1TU
United Kingdom
Tel: +44 (0)1530 512460
Fax: +44 (0)1530 512461
www.trimarkeu.com



020-0800 Surface Mounted Pull Handle

AVAILABLE:

- Can be keyed alike with most single and reversible key systems
- With gaskets and spacers to facilitate mounting and provide resistance to water and dirt infiltration
- Connecting link assembly

MATERIAL:

- Handle: glass reinforced nylon
- Brass threaded inserts

INSTALLATION:

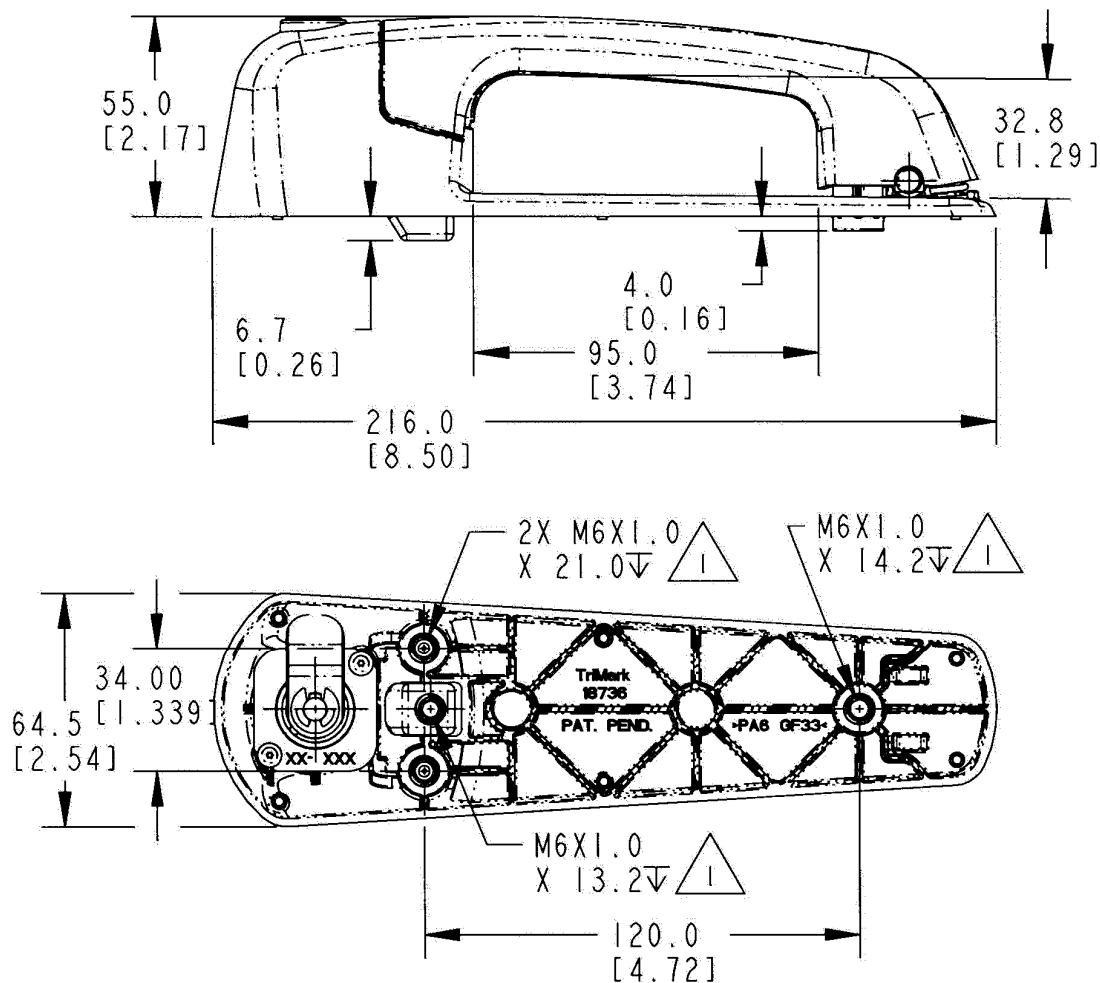
- Mounts against glass with only 2 holes or steel with conventional mounting (see recommended hole pattern)
- Installed with (3) M6 X 1.0 bolts (not included)
- Recommended mounting fastener torque to be 5.6-6.7 N-m (50-59 lbf-in)

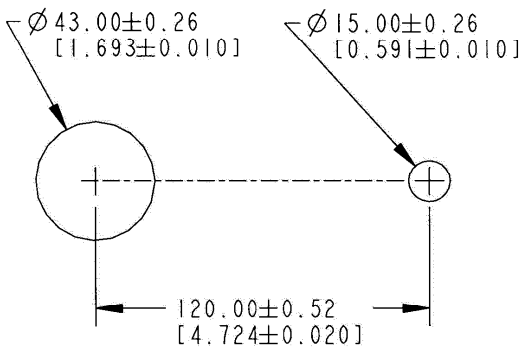
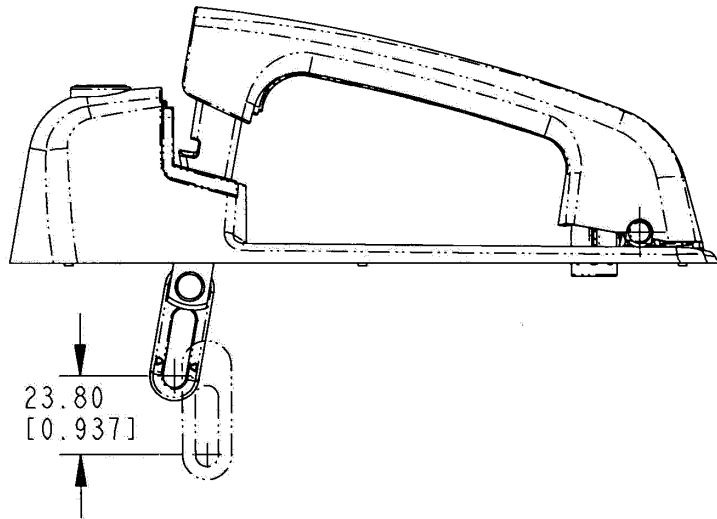
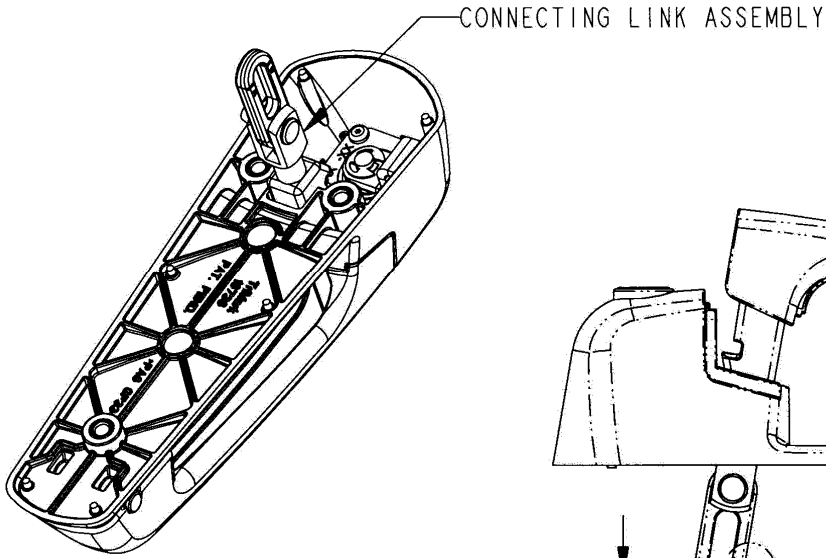
Individual part dimensions are for reference only. Refer to individual part drawings for complete dimensions, specifications, and installation procedures. Engineering assistance and application drawings are available.

CAUTION: Handle does not meet the locking requirements for FMVSS 206

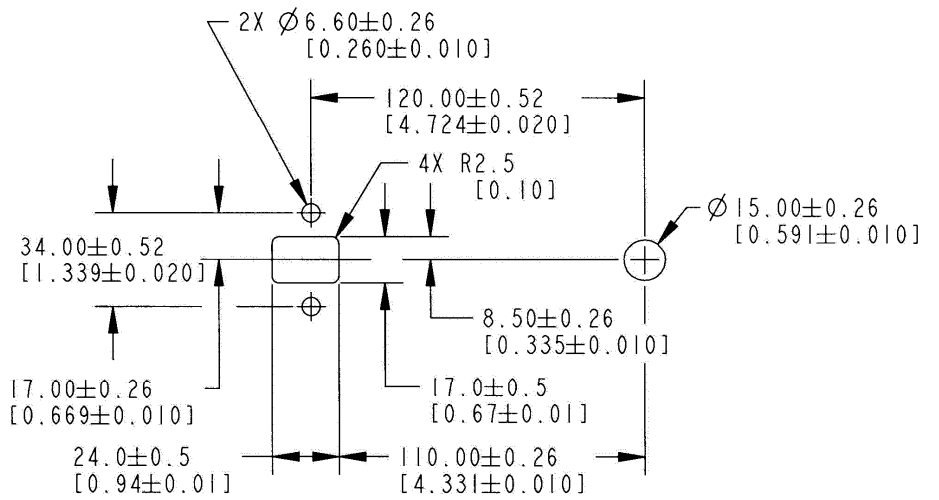
U.S. Design Patent No. D506,377

For more information visit
www.trimarkcorp.com





**Recommended Glass
Mounting Hole Pattern**



**Recommended Steel
Mounting Hole Pattern**